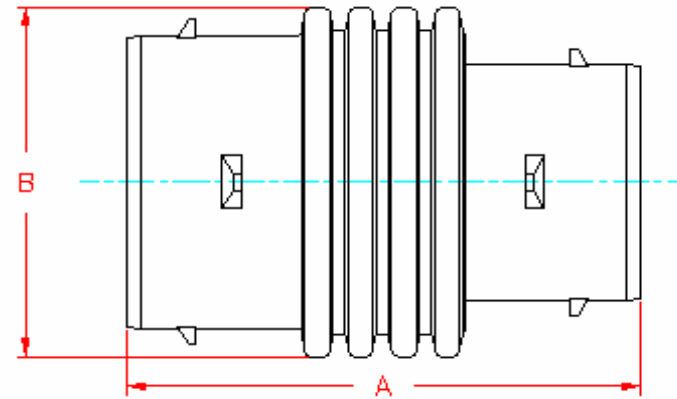


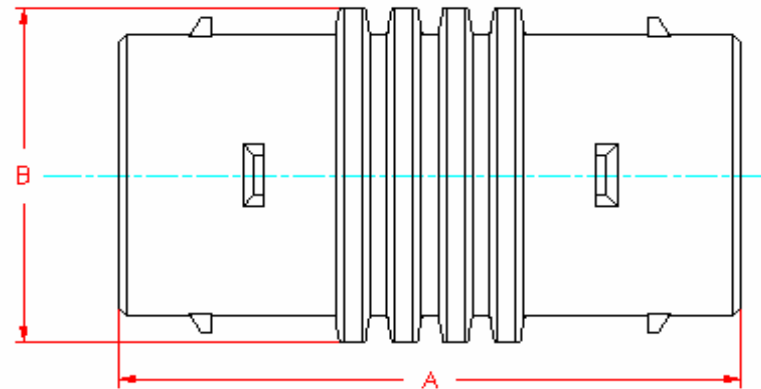
INTERNAL REDUCING COUPLER

PART #	PIPE SIZE	A	B
0425AA	5 x 4 in (125 x 100 mm)	8.8 in (222 mm)	5.9 in (149 mm)
0526AA	6 x 5 in (150 x 125 mm)	8.8 in (222 mm)	7.0 in (178 mm)



INTERNAL COUPLER

PART #	PIPE SIZE	A	B
0315AA	3 in (75 mm)	6.0 in (152 mm)	3.5 in (89 mm)
0415AA	4 in (100 mm)	8.3 in (210 mm)	4.8 in (121 mm)
0417AA	4 in (100 mm)	6.1 in (156 mm)	4.8 in (121 mm)
0515AA	5 in (125 mm)	8.3 in (210 mm)	5.9 in (149 mm)
0615AA	6 in (150 mm)	8.3 in (210 mm)	7.0 in (178 mm)
0815AA	8 in (200 mm)	11.5 in (292 mm)	9.1 in (232 mm)
1015AA	10 in (250 mm)	12.0 in (305 mm)	9.0 in (229 mm)



NOTE: ALL DIMENSIONS ARE NOMINAL



DRAWING #:	1010	
DRAWN BY:	CRM	09.11.06
APPROVED BY:	JCB	06.22.07
REVISIONS:	NJP	06.12.07