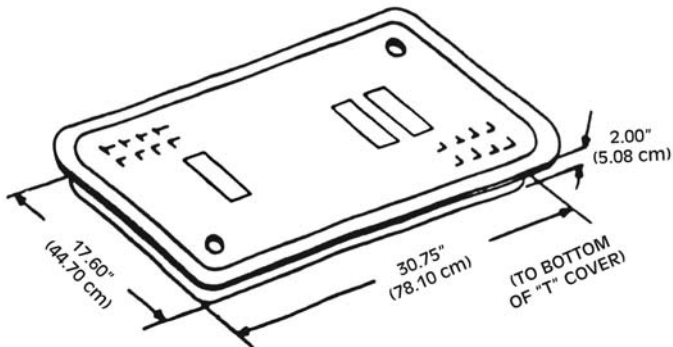
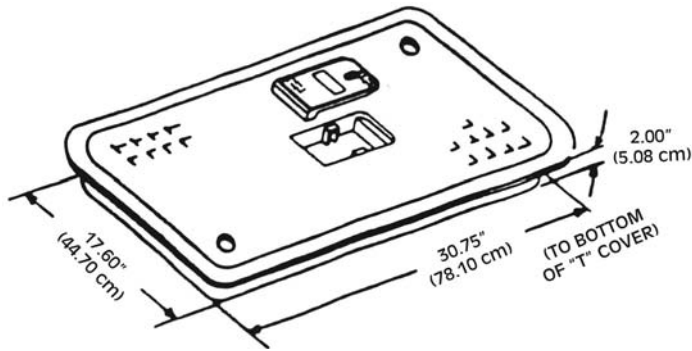
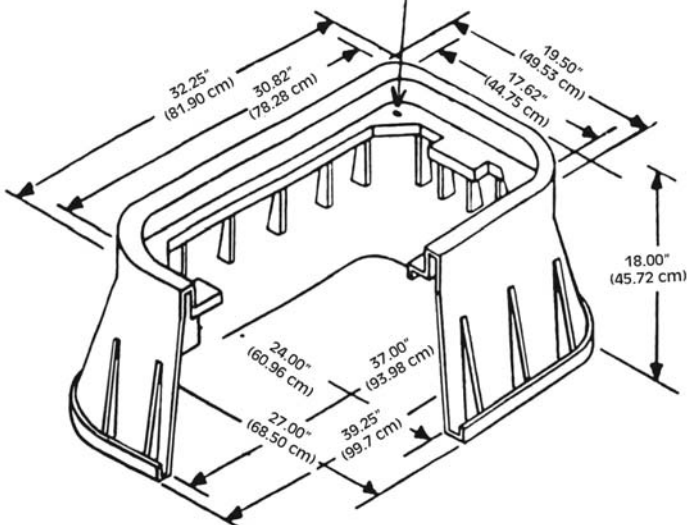


SERIES 1730 (18" HIGH) UTILITY BOX GREEN

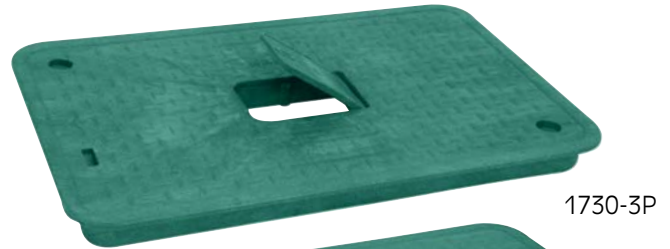
■ 16 PER PALLET			
■ BODY & COVER	1730-18P2P	42.00 LBS.	19.05 KG
■ BODY WITH METER COVER	1730-18P3P	42.30 LBS.	19.18 KG
■ BODY	1730-18P	29.00 LBS.	13.15 KG
■ COVER	1730-2P	13.00 LBS.	5.90 KG
■ COVER WITH METER DOOR	1730-3P	13.30 LBS.	6.03 KG



BOLTS - 3/8" x 2 1/2" STAINLESS STEEL
DIAGONAL BOLT DOWN PATTERN



■ FOR USE IN NON-VEHICLE TRAFFIC AREA



1730-3P



1730-2P



1730-18P

SPECIAL FEATURES

- UV INHIBITOR ADDED TO PREVENT DISCOLORING & CRACKING
- HEAVY DUTY COMMERCIAL CONSTRUCTION
- CAST IRON OR POLY METER READER COVER
- DIAGONAL BOLT DOWN PATTERN
- MOLDED IN NYLON NUT FOR BOLTS

OTHER STOCK COLORS AVAILABLE

TO SEE COLOR
CLICK ON COLOR

- BLACK
- GRAY
- LAVENDER
- TAN

**STANDARD MARKINGS (IRRIGATION CONTROL VALVE (ICV) • TELEPHONE • CATV • ELECTRIC
• WATER (SOLID OR WITH METER READER) • BLANK • SEWER • RECLAIMED WATER)**