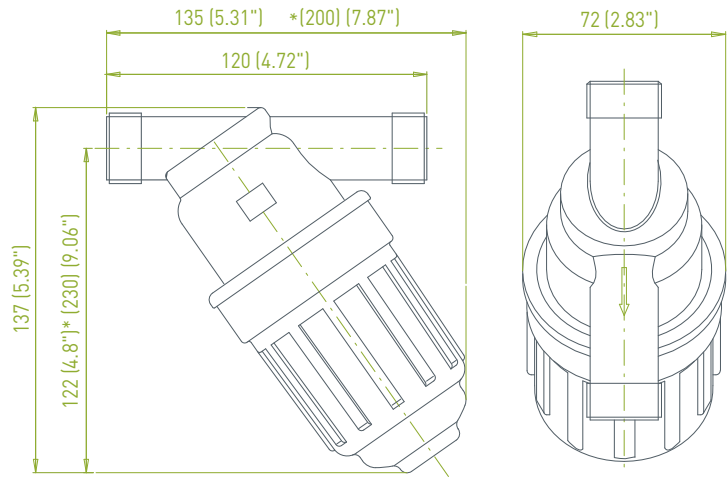
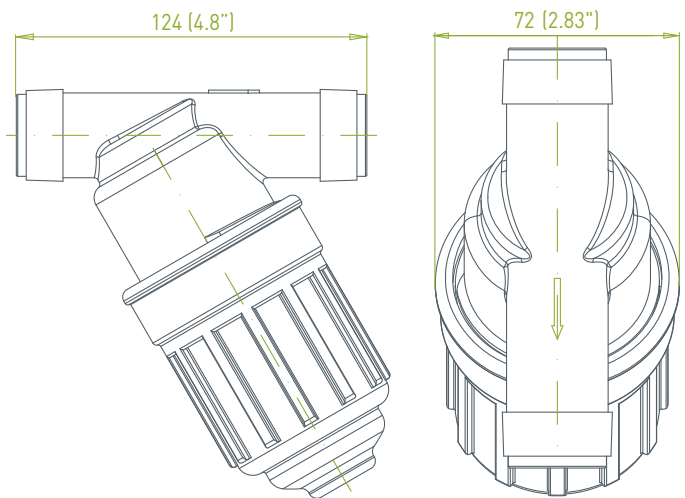


3/4"

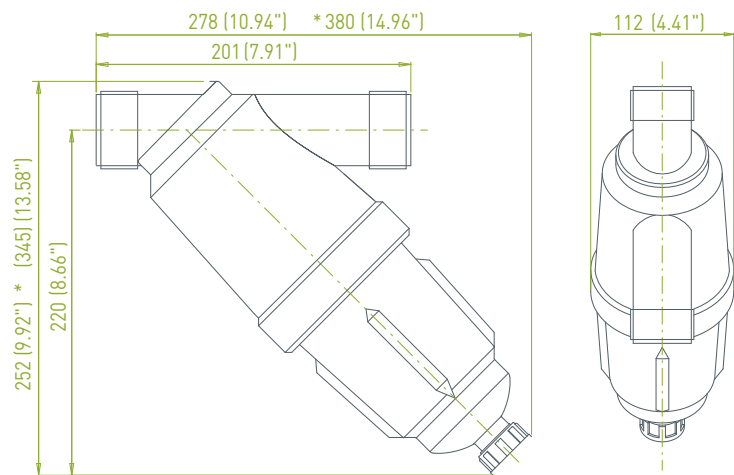
Dimentional Drawing



1"



1 1/2"



Dim: mm (inch)

*Approx. length required for maintenance