



Job Name:	
Job Location:	
Engineer:	
Contractor:	
Tag:	
PO#:	
Rep:	
Wholesale Dist.:	

DESCRIPTION

The Apollo® Model PVB4A and PVBLF4A Pressure Vacuum Breaker A Series prevents contamination of the potable water supply due to back-siphonage. A standard integral freeze protection relief valve serves to reduce the possibility of damage due to intermittent freezing conditions. The modular check valve cartridge provides a captured spring, a replaceable seat, and a reversible silicone seat disc. This assembly features ball valve shutoffs with stainless steel handles and nuts as standard.

FEATURES

- Low Pressure Loss Documented by Independent Approval Agencies
- Built-In Freeze Resistance Feature Standard
- Easily Removable Modular Check Valve Cartridge
- Captured Stainless Steel Springs
- Ball Valve Shutoffs w/ SS Handles & Nuts Standard
- Test Cocks Located for Easy Draining
- Corrosion Resistant
- No Special Tools Required
- Unique Canopy Detachment
- Vertical Up / Horizontal Installation

PERFORMANCE RATING

- Maximum Operating Pressure: 150 psi
- Temperature Range: 33 °F - 140 °F

APPROVALS

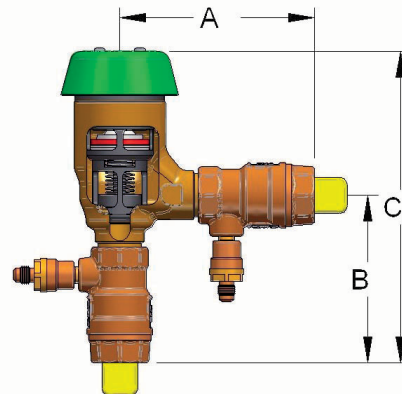
- ASSE 1020-2004e1
- CSA B.64.1.2
- IAPMO
- Approved by the Foundation for Cross-Connection Control and Hydraulic Research at the University of Southern California (1/2" - 2" non-lead free only)

STANDARD MATERIALS LIST

BODY	Bronze C84400 or C89836 Lead Free*
BALL VALVES, TEST COCKS	Bronze C84400 or C87800 Lead Free*
CANOPY	UV-Resistant ABS
BONNET	Glass-Filled PPO
CHECK VALVE CARTRIDGE	Glass-Filled PPO
SPRINGS	Stainless Steel
SEAT DISCS	Chloramine-Resistant Silicone
FLOAT	Glass-Filled Polypropylene
O-RINGS	Chloramine-resistant EPDM

DIMENSIONS

FACTORY NUMBER	SIZE (IN.)	DIMENSIONS (IN.)			WT. (LB.)
		A	B	C	
4A503A2F	1/2"	4-1/2	3-3/4	7-1/4	2.9
4A504A2F	3/4"	4-3/4	4-1/8	7-5/8	3.0
4A505A2F	1"	5-3/8	4-5/8	8-3/8	4.2
4A506A2F	1-1/4"	7	5-1/4	9-7/8	4.4
4A507A2F	1-1/2"	7-1/4	5-5/8	10-1/8	7.3
4A508A2F	2"	8-1/2	6-3/8	11-1/2	8.9

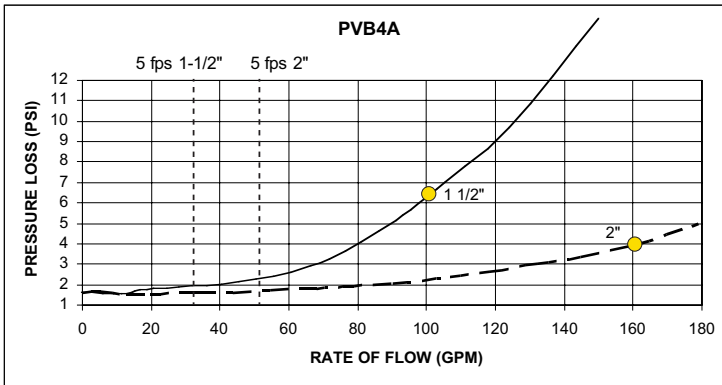
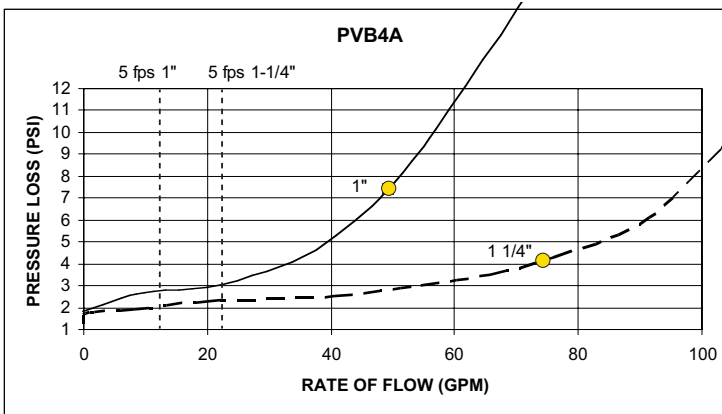
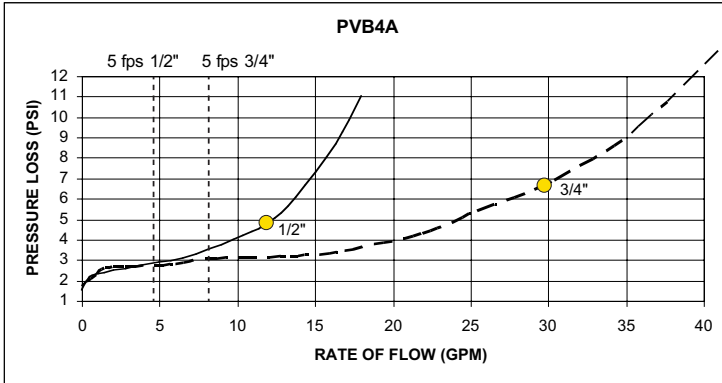


PART NUMBER MATRIX

4A [XX]	50 X	XX	F
	SIZE	SHUT-OFF VALVES	
4A - NON-LEAD FREE	3 - 1/2"	A2 - W/BALL VALVES (STANDARD)	BLANK - NPT TESTCOCKS
4ALF - LEAD FREE* (1/2"-1" ONLY)	4 - 3/4"	A4 - W/UNION END BALL VALVES	F- SAE TESTCOCK (1/2"-1" ONLY)
	5 - 1"		
	6 - 1-1/4"		
	7 - 1-1/2"		
	8 - 2"		

*LEAD FREE: The wetted surfaces of this product shall contain no more than 0.25% lead by weighted average. Complies with Federal Public Law 111-380. ANSI 3rd party approved and listed.

FLOW CURVES



● Meter Rated Flow as determined by approval agencies, 7.5 ft/sec is the typical maximum Plumbing system flow rate.

Curves developed from independent approval agencies actual tests - Consult factory for details.