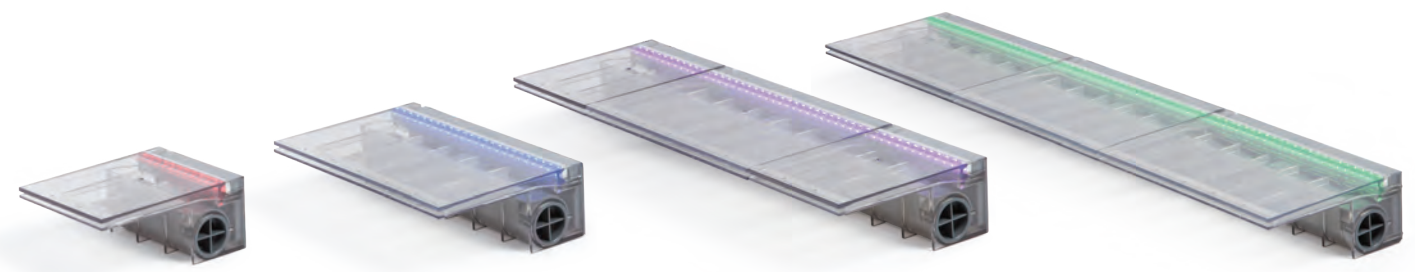




# COLOR CHANGING COLORFALLS



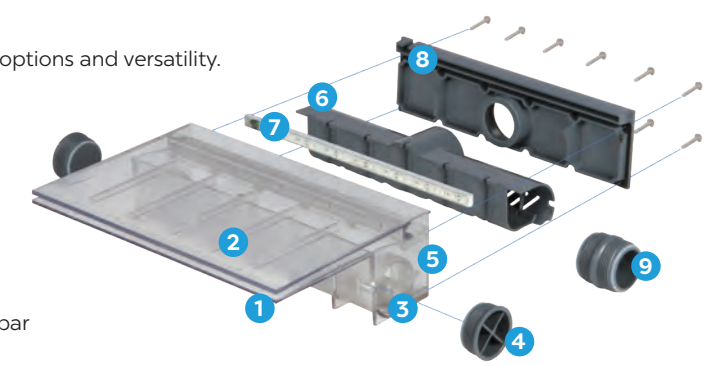
- |  |   |   |   |
|--|---|---|---|
| <p><b>CC06</b></p> <ul style="list-style-type: none"> <li>• Illuminated waterfalls are the most versatile way to add light and water to your landscape or hardscape</li> <li>• Atlantic's Color Changing Colorfalls are the first modular sheer descent system with multiple light and configuration options</li> <li>• Design custom colors, select transitions and create personalized sequences with the new InfiColor Smart Module and App</li> <li>• Color Changing Colorfalls synchronize with Atlantic Hardscape and submersible lights to create illuminated landscapes</li> <li>• Unlike other sheer descent waterfalls, Atlantic Color Changing Colorfalls may be linked together to create waterfalls of any width</li> <li>• Synchronize multiple Colorfalls with InfiColor 3 Light Wiring Kit (CCSM30X3), additional splitters (CCBSX4) and larger transformer</li> </ul> | <p><b>CC12</b></p> <ul style="list-style-type: none"> <li>• Designed to install easily in any wall, indoors or out, whether stone, brick, block, stucco, tile or wood</li> <li>• Atlantic's Color Changing Colorfalls' modular body style offers multiple inlets for maximum plumbing flexibility</li> <li>• Generous weir openings resist clogging and create a thicker, fuller sheer for extra color and less wind deflection</li> <li>• Colorfalls feature a 5" lip, 20' power cord and includes single outlet InfiColor Smart Module and 12V outdoor transformer</li> <li>• For use with Formal Spillway Basins and Basin Kits</li> </ul> | <p><b>CC24</b></p> <ul style="list-style-type: none"> <li>• Designed to install easily in any wall, indoors or out, whether stone, brick, block, stucco, tile or wood</li> <li>• Atlantic's Color Changing Colorfalls' modular body style offers multiple inlets for maximum plumbing flexibility</li> <li>• Generous weir openings resist clogging and create a thicker, fuller sheer for extra color and less wind deflection</li> <li>• Colorfalls feature a 5" lip, 20' power cord and includes single outlet InfiColor Smart Module and 12V outdoor transformer</li> <li>• For use with Formal Spillway Basins and Basin Kits</li> </ul> | <p><b>CC36</b></p> <ul style="list-style-type: none"> <li>• Designed to install easily in any wall, indoors or out, whether stone, brick, block, stucco, tile or wood</li> <li>• Atlantic's Color Changing Colorfalls' modular body style offers multiple inlets for maximum plumbing flexibility</li> <li>• Generous weir openings resist clogging and create a thicker, fuller sheer for extra color and less wind deflection</li> <li>• Colorfalls feature a 5" lip, 20' power cord and includes single outlet InfiColor Smart Module and 12V outdoor transformer</li> <li>• For use with Formal Spillway Basins and Basin Kits</li> </ul> |
|--|---|---|---|

MODEL	ITEM	LIST	FLOW RATE	PROJECTION*	INPUT VOLTAGE	WATTS	INLET	DIMENSIONS	WARRANTY
CC06	73878	\$272.99	600 gph	8" - 10" at 18"H & 600 gph (Rec. Height: 20" max.)	InfiColor	3	1½" FIPT	6"W x 8"D x 3½"H	1-year
CC12	73879	\$321.99	1,200 gph	8" - 10" at 18"H & 1,200 gph (Rec. Height: 20" max.)	InfiColor	5	1½" FIPT	12"W x 8"D x 3½"H	1-year
CC24	73880	\$521.99	2,400 gph	8" - 10" at 18"H & 2,400 gph (Rec. Height: 30" max.)	InfiColor	10	1½" FIPT	24"W x 8"D x 3½"H	1-year
CC36	73881	\$660.99	3,600 gph	8" - 10" at 18"H & 3,600 gph (Rec. Height: 40" max.)	InfiColor	15	1½" FIPT	36"W x 8"D x 3½"H	1-year

\* Projection is measured from the face of the wall the Colorfalls is installed in

## COLOR CHANGING COLORFALLS FEATURES:

1. Large weir opening produces a thick sheer for less wind deflection, more color and less chance of clogging.
2. Internal lip supports eliminate splitting of the water sheer.
3. 1½" FIPT inlets on both sides and back for maximum plumbing options and versatility.
4. Includes (2) 1½" plugs for unused plumbing inlets.
5. Self-draining body for easy winterization.
6. Removable baffle for easy cleaning and servicing.
7. Color Changing LED light bar is accessible from the rear of the unit for servicing.
8. Removable back plate provides access to the interior and light bar for routine maintenance.
9. Threaded adapter with silicone O-rings to connect multiple Color Changing Colorfalls.



## SINGLE-ZONE INFICOLOR SMART MODULE & APP:



The InfiColor Smart Module and mobile application at the heart of the new Color Changing Lighting System allow users to program custom color sequences and transitions, set sequence timing and daily scheduling and unlock all RGB options on any Apple or Android mobile device.

- Every Color Changing Colorfalls includes Single-zone InfiColor Smart Module
- Smart Module is wirelessly controlled via InfiColor App to unlock the full potential of Color Changing Lights, no remote necessary

The Bluetooth® InfiColor App makes custom colors, sequences, transitions, timing and daily scheduling of your Atlantic Color Changing Lighting or Color Changing Colorfalls accessible on any Apple and Android mobile device, no remote necessary.

- Choose any color visually or create a custom color with RGB sliders
- Combine and save custom color sequences as Favorites
- Assign one of five transitions and adjust the speed of any Favorite
- Adjust brightness of sequences and solid colors if desired
- Built in timer function controls daily on and off times for LEDs
- InfiColor App available on all Apple and Android devices



## DID YOU KNOW?

Thinking of adding a Color Changing Colorfalls to a new or existing hardscape? Check out our new Color Changing Colorfalls Project Bundle which includes everything needed to add the basin, plumbing, Colorfalls and even an Auto Fill! You choose the block, we provide the equipment! Page 43