



TYPE "B" SINGLE STAGE CENTRIFUGAL PUMP Electric Motor Drive

Section	CC
Page	30.2
Date	January 1, 2004
Supersedes 6/1/95	

CAST IRON IMPELLER

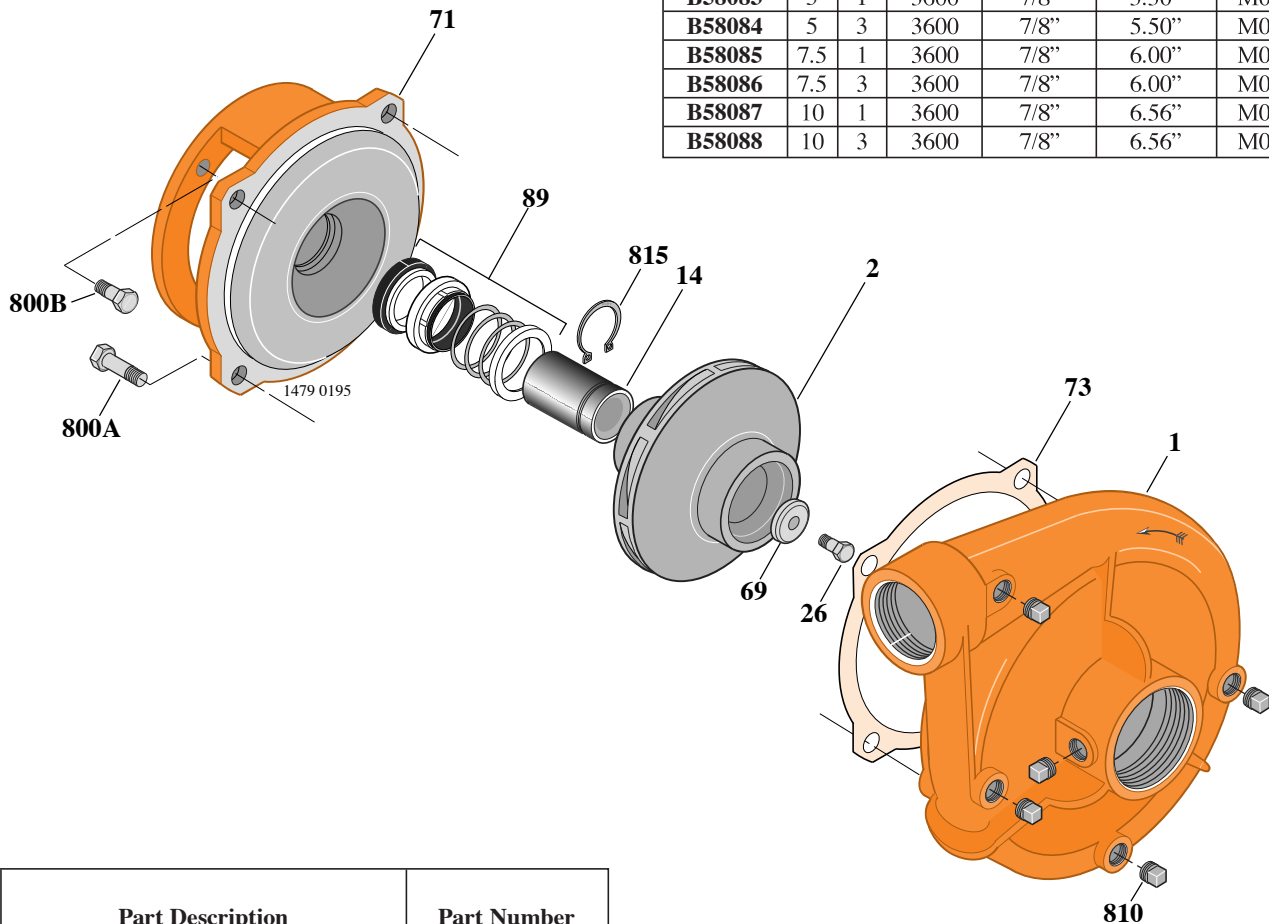
B1-1/2TPMS

Threaded Case (NPT)

Mechanical Shaft Seal Construction

TABLE I

B/M No.	HP	PH	RPM	"U" Dim.	Imp. Dia.	Imp. No.
B58083	5	1	3600	7/8"	5.50"	M07637
B58084	5	3	3600	7/8"	5.50"	M07637
B58085	7.5	1	3600	7/8"	6.00"	M07638
B58086	7.5	3	3600	7/8"	6.00"	M07638
B58087	10	1	3600	7/8"	6.56"	M07298
B58088	10	3	3600	7/8"	6.56"	M07298



Item No.	Part Description	Part Number
1	Case, Volute	L01018
2	Impeller	See Table I
14	Sleeve, Shaft	S19310
26	Screw, Impeller 3/8 - 16 x 1"	S23566
32	Key, 3/16 x 1-1/4" (See Note)	S34383
69	Washer, Impeller	S16239
71	Bracket	See Table II
73	Gasket, Volute	S04757
89	Seal, Mechanical Shaft	S32014
800A	Capscrew, 1/2 - 13 x 1" (8 Req.)	S26912
800B	Capscrew, 3/8 - 16 x 1" (4 Req.)	S26826
810	Plug, Pipe 1/4 NPT (5 Req.)	S23715
815	Ring, Retaining	S11207

TABLE II

HP	PH	Bracket No.	"AK" Fit	"U" Dim.	Motor Frame
5	1	L05329	4-1/2"	7/8"	184JM
5	3	L05329	4-1/2"	7/8"	182JM
7.5	1	L05328	8-1/2"	7/8"	213JM
7.5	3	L05329	4-1/2"	7/8"	184JM
10	1	L05328	8-1/2"	7/8"	215JM
10	3	L05328	8-1/2"	7/8"	213JM

NOTE: For an explanation of the tabulated material found on this page and for impeller key location, refer to *Supplement A* located at the beginning of this section.