

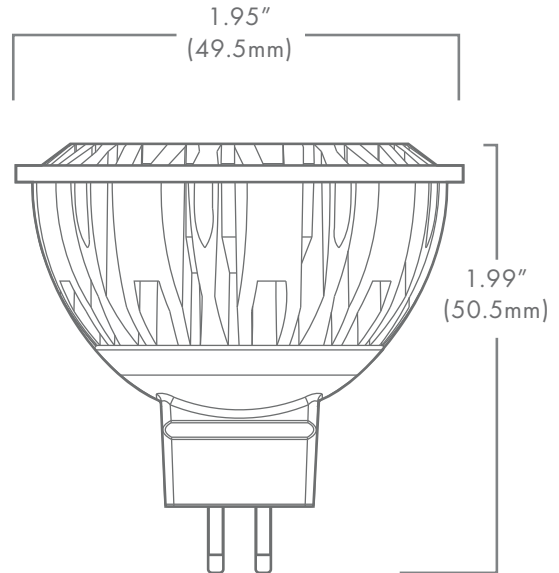
MR16

DESCRIPTION

The Brilliance LED MR16 Bipin is designed to better fit into standard, low voltage, MR16 fixtures and have a longer lamp life. These LEDs are thermally engineered to operate in enclosed fixtures and provide added security by automatically cooling down, and reducing lumen output when exposed to extreme heat (air temperatures above 125°F). There is no color shift when lumen output is reduced.

FEATURES

- Gen 5 earth tone colored housing
- Dimmable with most magnetic transformers
- Enhanced ESD (Electro-Static Discharge) protection (IEC-61000-4-2)
- Heat overload protection technology
- Fully potted PC board
- UL & FCC compliant



Part Number: **MR16-X-XXXX-XXX**

Wattage | Kelvin/Color | Beam spread

Wattage	4, 5, 7
Beam Spread	15°, 30°, 60°, 120°
Color (4&5W)	Red, Green, Blue, Amber, Silver Green (5W)
Operating Range	8-25 VAC
Replaces	20W, 35W, 50W Halogen
CRI	85
IP	61
Chipset	CREE
Lamp Life (hours)	50,000
Warranty (years)	5



Lumens	2200K	2700K	3000K	5700K
4W	275	325	350	400
5W	300	380	400	450
7W	600	690	715	750