

MR16

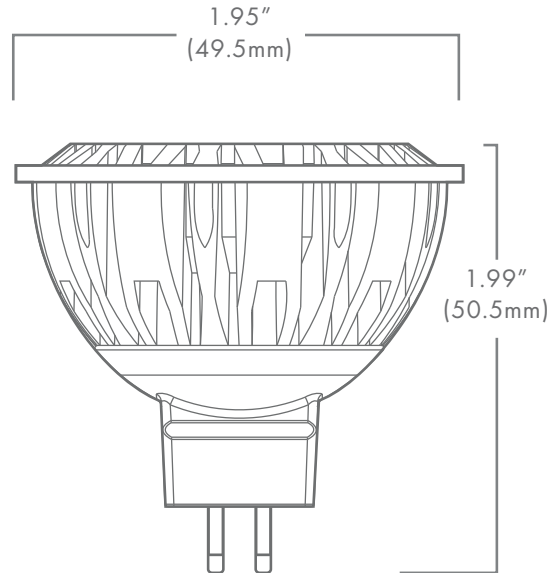


DESCRIPTION

The Brilliance MR16 Bi-Pin is designed to better fit into standard, low voltage, MR16 fixtures and have a longer lamp life. These LEDs are thermally engineered to operate in enclosed fixtures and provide added security by automatically cooling down, and reducing lumen output when exposed to extreme heat (air temperatures above 125°F). There is no color shift when lumen output is reduced.

FEATURES

- Gen 5 earth tone colored housing
- Dimmable with Brilliance Dimmer and most magnetic transformers
- Enhanced ESD (Electro-Static Discharge) protection (IEC-61000-4-2)
- Heat overload protection technology
- Fully potted PC board
- UL Listed & FCC compliant



Part Number: **MR16-X-XXXX-XXX**



MR16 SPECS

Wattage	4, 5, 7			
Lumens	2700K	3000K	5700K	
	4W	325	350	400
	5W	380	400	450
	7W	690	715	750
Beam Spread	15°, 30°, 60°, 120°			
Kelvin Temperature	2700, 3000, 5700			
Operating Range	8-25 VAC/DC			
Replaces	20W, 35W, 50W Halogen			
CRI	85			
IP	61			
Lamp Life (hours)	50,000			
Warranty (years)	5			

