

AR11

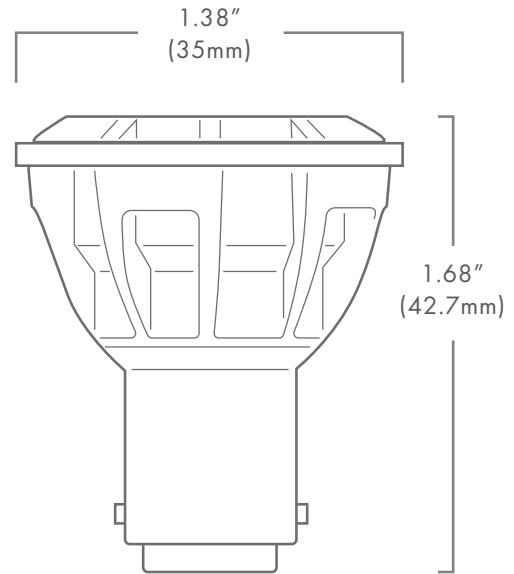


DESCRIPTION

The Brilliance AR11 DCB is designed to better fit into standard, low voltage, AR11 fixtures and have a longer lamp life. These LEDs are thermally engineered to operate in enclosed fixtures and provide added security by automatically cooling down, and reducing lumen output when exposed to extreme heat (air temperatures above 125°F). There is no color shift when lumen output is reduced.

FEATURES

- Gen 5 earth tone colored housing
- Dimmable with Brilliance Dimmer and most magnetic transformers
- Enhanced ESD (Electro-Static Discharge) protection (IEC-61000-4-2)
- Heat overload protection technology
- Fully potted PC board
- UL Listed & FCC compliant



Part Number: **AR11-2-XXXX-XX**

Kelvin | Beam spread

AR11 SPECS

Wattage	2
Lumens	120
Beam Spread	15°, 30°, 60°
Kelvin Temperature	2700, 3000
Operating Range	8-25 VAC/DC
Replaces	20W Halogen
CRI	85
IP	61
Lamp Life (hours)	50,000
Warranty (years)	5

