

BEACON S8



DESCRIPTION

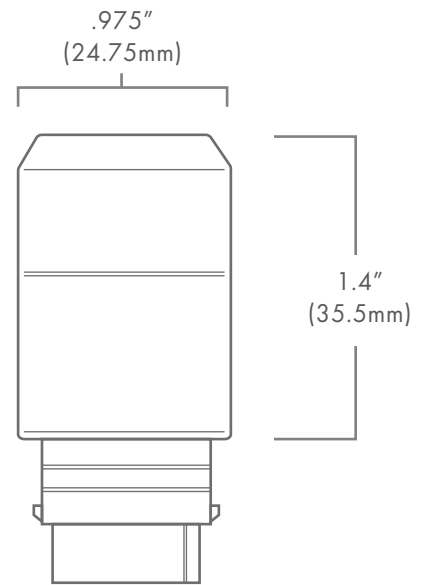
The Brilliance Beacon S8 Wedge is a subcompact LED that utilizes the Epistar chipset and features Brilliance's multi-directional beam pattern. This S8 is energy efficient and water resistant, designed specifically for landscape retrofit applications, and is ideal for pathway lighting fixtures and step lights

FEATURES

- Ceramic technology
- Dimmable with Brilliance Dimmer and most magnetic transformers

BEACON S8 SPECS

Wattage	2
Lumens	200
Beam Spread	Omni-directional
Kelvin Temperature	2700, 3000
Operating Range	8-25 VAC/DC
Replaces	20W Halogen
CRI	84
IP	65
Lamp Life (hours)	35,000
Warranty (years)	5



Part Number: **BRI-BEACON-S8-XXXX**

Kelvin

