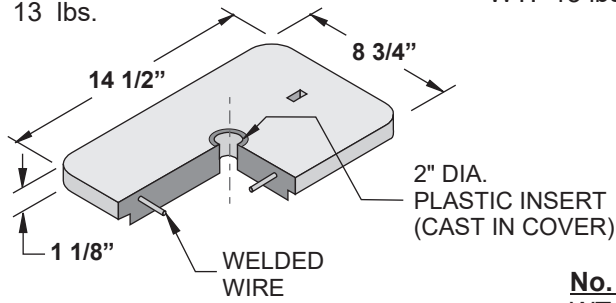


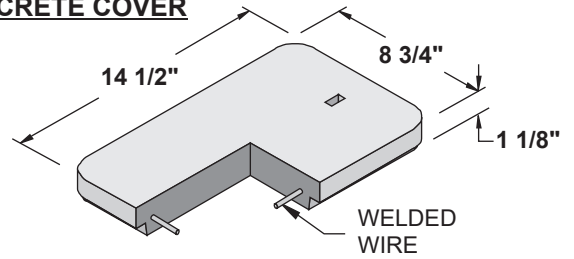
No. 3 - SP COVER

WT. 13 lbs.



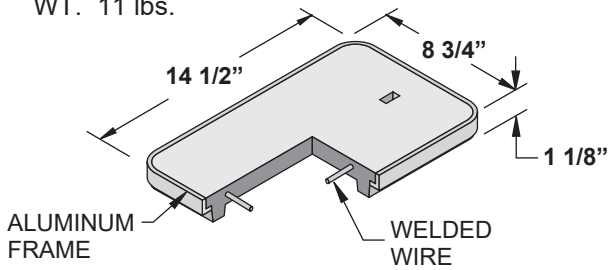
No. 3 MB - CONCRETE COVER

WT. 13 lbs.



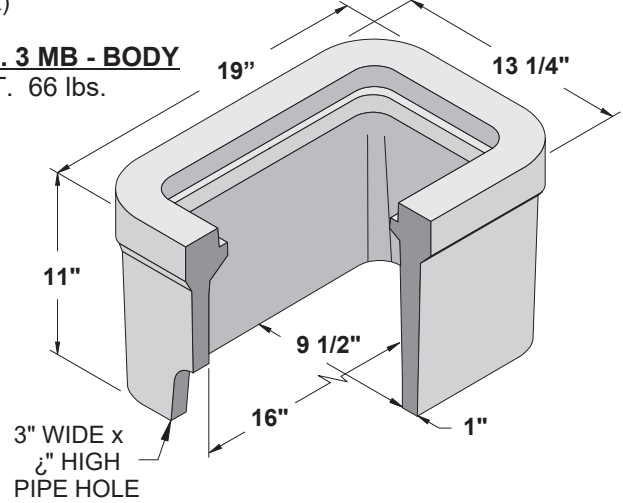
No. 3 - MA COVER

WT. 11 lbs.



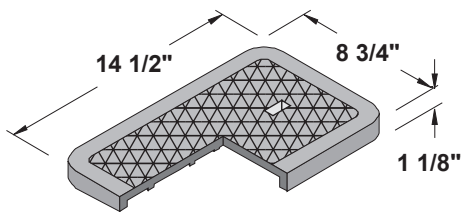
No. 3 MB - BODY

WT. 66 lbs.



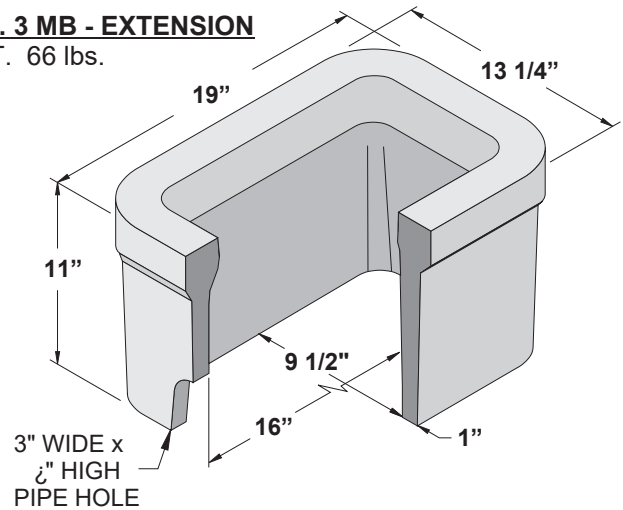
No. 3 - T CAST IRON COVER

WT. 16 lbs.



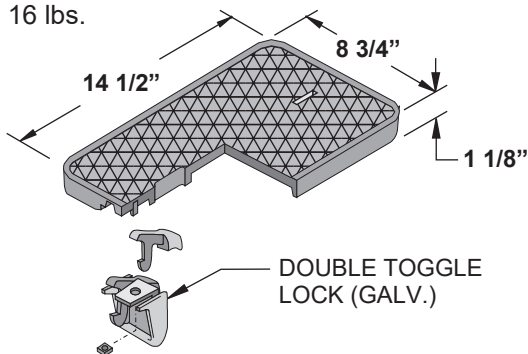
No. 3 MB - EXTENSION

WT. 66 lbs.



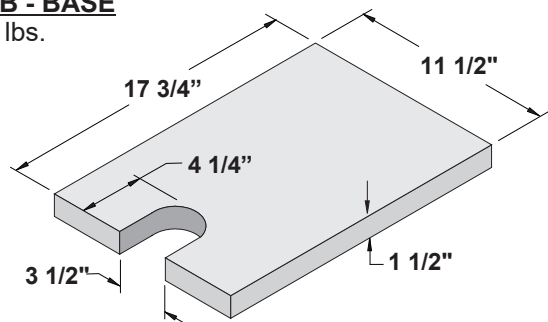
No. 3 - TL CAST IRON LOCKING COVER

WT. 16 lbs.



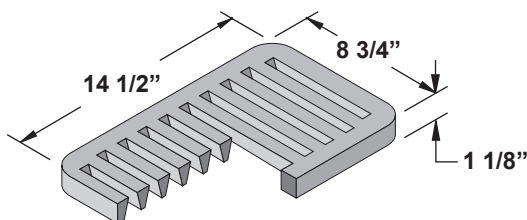
No. 3 MB - BASE

WT. 20 lbs.



No. 3 - TG CAST IRON GRATE

WT. 19 lbs.



3 - 0 2

9 1/2" x 16" METER BOX
(for 3/4" WATER METER)

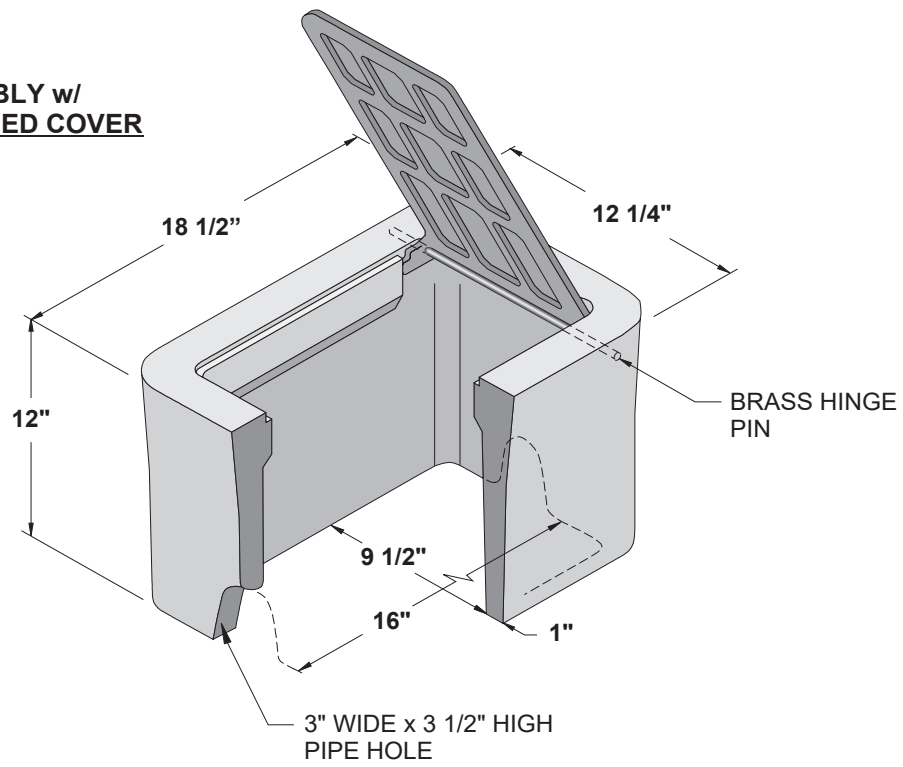
JENSEN
PRECAST EST. 1968

BROOKS 3MB

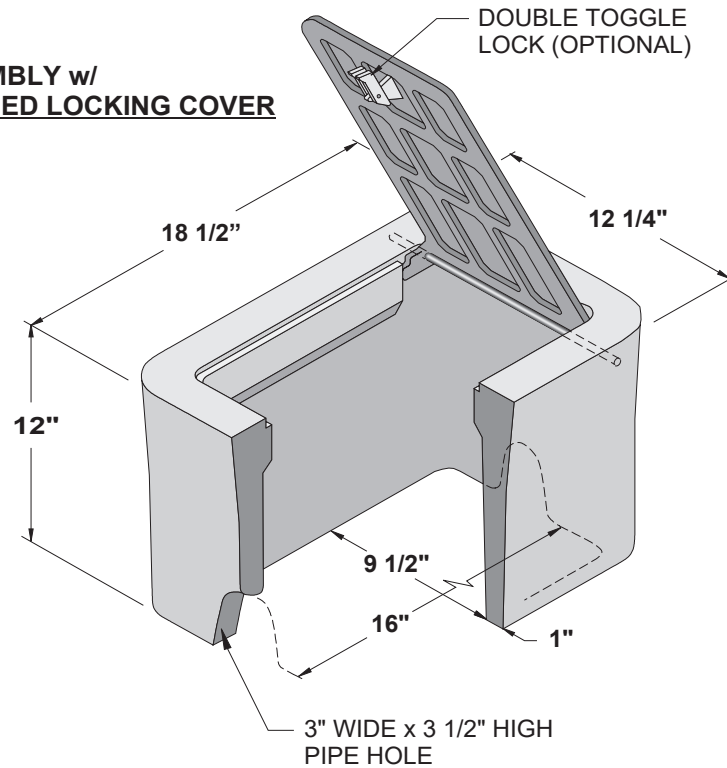
ORG. DWG. DATE
03-03-95

REV. DWG. DATE
02-14-20

**No. 3 - H ASSEMBLY w/
CAST IRON HINGED COVER**
WT. 68 lbs.



**No. 3 - HL ASSEMBLY w/
CAST IRON HINGED LOCKING COVER**
WT. 68 lbs.



3
-
0
2
B

9 1/2" x 16" METER BOX
(for 3/4" WATER METER)

JENSEN
PRECAST EST. 1968

ORG. DWG. DATE
03-03-95

REV. DWG. DATE
02-14-20

BROOKS 3-H MB