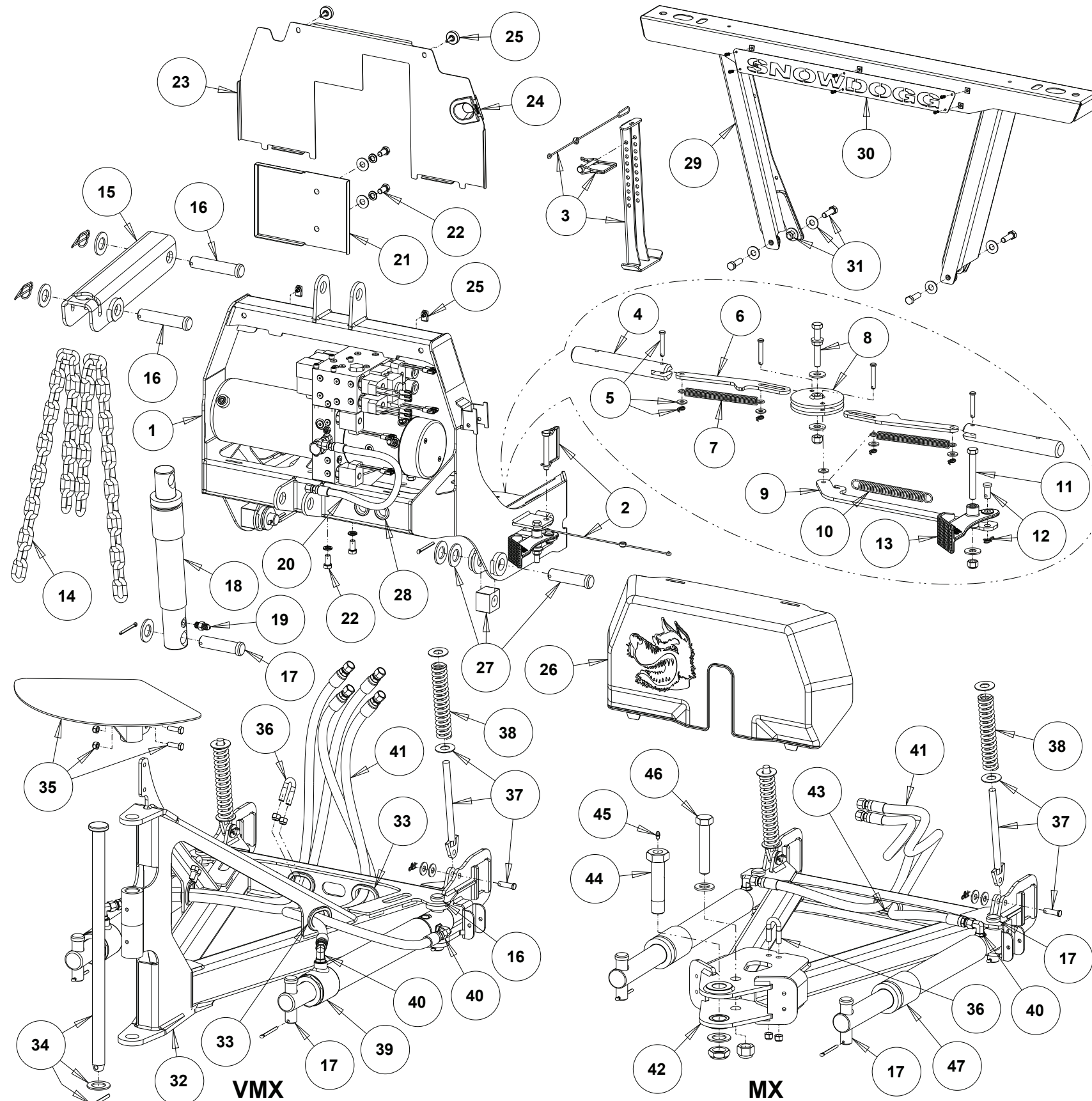


# MXII/VMXII SERIES

with *RAPIDLINK™*

## REPLACEMENT PARTS



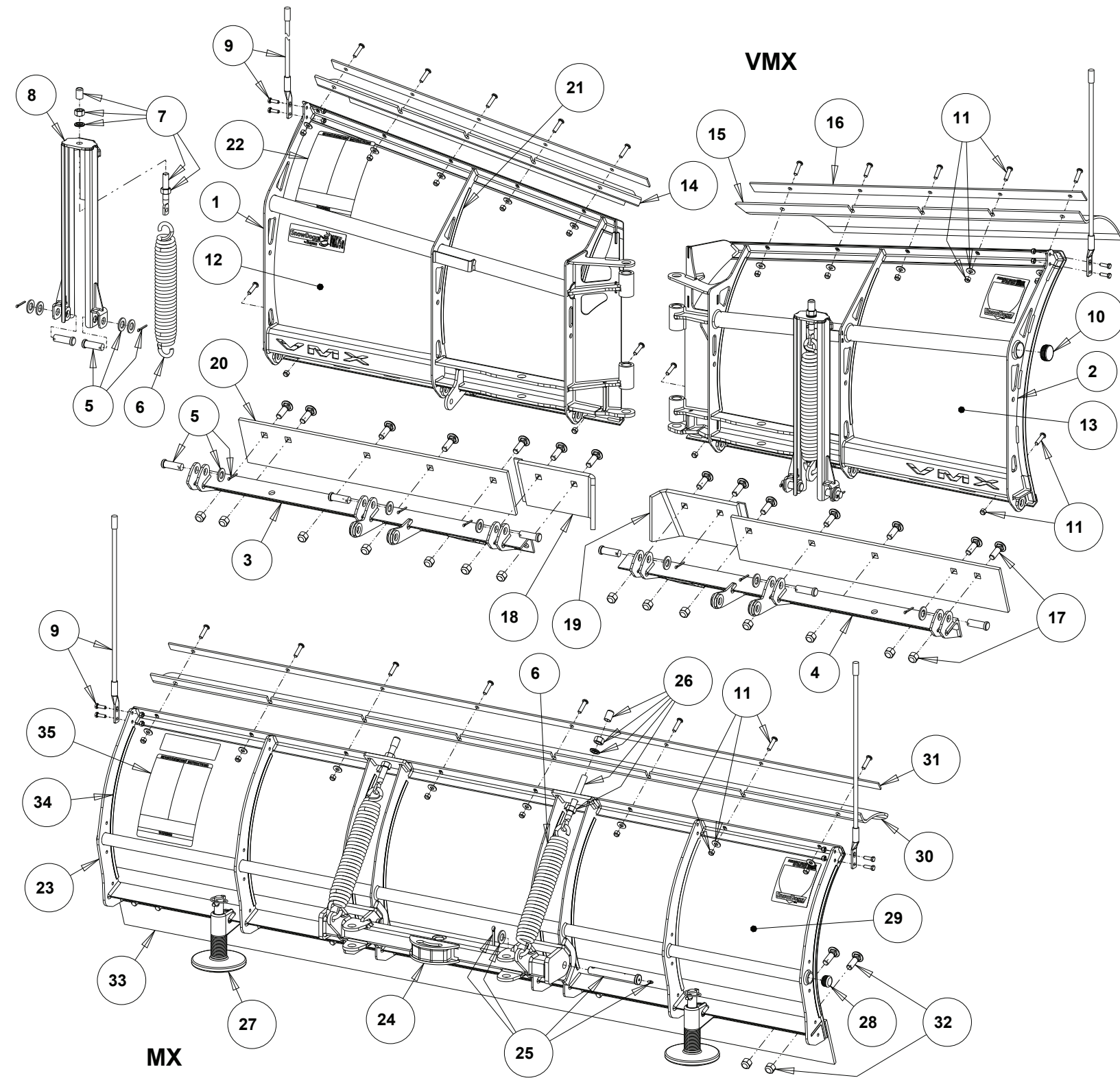
## LIFT FRAMES and A-FRAMES

ITEM	PART NO.	DESCRIPTION
	16014100	VMX2 RapidLink Lift Frame Assembly
	16015100	MX2 RapidLink Lift Frame Assembly
ACC	16150010	Hydraulic Fluid, Low Temp, 1 Case (12 QTS)
LIFT FRAME	1	16110108 Lift Frame Assembly, MX/VMX 16111617 Lift Frame Weldment, MX/VMX
	2	16111124 Snapper Pin, 2-1/2in with Lanyard
	3	16111185 Drop Foot with Snapper Pin & Lanyard, MX/VMX 16101166 Snapper Pin with Lanyard
	4	16112102 Lock Pin, MX/VMX
	5	16111126 Clevis Pin Kit, 1/4in x 1-1/2in 16101244 Cotter Pin, Locking, 1/4in
	6	16111136 Linkage, Lock Pin, MX/VMX
	7	16111170 Spring, Retract, RapidLink
	8	16111138 Cam, Center Linkage, RapidLink
	9	16111194 Linkage, Pedal, MX/VMX
	10	16111172 Spring, Extend, RapidLink
	11	16111132 Screw Kit, Pedal Pivot
	12	16111146 Clevis Pin Kit, Pedal Linkage 16101246 Cotter Pin, Locking, 3/8in
	13	16111113 Foot Pedal, Cast
	14	16103000 Chain, 5/16in Grade 43, 48 Links (VMX uses 2x)
	15	16112412 Chain Lift, VMX 16111414 Chain Lift, MX
	16	16102122 Clevis Pin Kit, 7/8in x 4in 16101250 Cotter Pin, Locking, 7/8in
	17	16102142 Clevis Pin Kit, 7/8in x 3-1/4in 16154220 Cylinder, Lift, 1-1/2in x 6in
	18	16154212 Cylinder Packing Kit, 1-1/2in with Wiper Seal 16154214 Cylinder Gland Nut, 1-1/2in with Wiper Seal
	19	16151325 Connector, -4 SAEM/JICM
	20	16153100 Hose, 1/4in x 18in, -4 JIC
	21	16152133 Panel, Rear, Bolt On, (VMX Only)
	22	16111130 Mount Kit, HPU
	23	16152136 Panel, Rear, Access, VMX 16152131 Panel, Rear, Access, MX
	24	16160420 Harness Grommet
	25	16152126 Panel Thumb Screw Kit
	26	16152137 Cover, Plastic, MX/VMX
	27	16111169 Block, Pivot Bearing Kit (Set of 2) with Pins, MX/VMX
	28	16152148 Grommet, 1in Hole, .125 Thick (MX Only)
	29	16111644 Light Bar, MX/VMX
	30	16111636 Logo Plate with Hardware
	31	16101022 Light Bar Fastener Kit, MX/VMX

ITEM	PART NO.	DESCRIPTION
VMX A-FRAME	32	16113224 A-Frame, VMX
	33	16152144 Grommet, 1-3/4in Hole, .188in Thick
	34	16101170 Hinge Pin Kit, VMX
	35	16113262 Hinge Cover Kit, VMX
	36	16103020 U-Bolt Kit
	37	16101208 Spring Retainer Kit
	38	16101206 Spring, Lift Frame
	39	16154300B Cylinder, 1-1/2in x 1-3/4in x 12in 16154302 Seal Kit, 16154300
	40	16152346 Elbow, -6 JICM/SAEM
	41	16153124 Hose, 3/8in x 45in, -6 JIC
MX A-FRAME	42	16113226 A-Frame, MX
	43	16152142 Grommet, 1-3/4in Hole, .125in Thick 16101150 Pivot Bolt Kit with Grease Fitting
	44	16102104 Washer, 1in 16101152 Nut, Pivot Bolt
	45	16101516 Grease Fitting, 1/4in-28 Threaded 16101160 Bolt, Angle Stop
	46	16101164 Washer, 3/4in 16101162 Nut, Angle Stop
	47	16154120 Cylinder, Angle, 1-1/2in x 10in 16154212 Cylinder Packing Kit, 1-1/2in with Wiper Seal 16154214 Cylinder Gland Nut, 1-1/2in with Wiper Seal

# MXII/VMXII SERIES

with *RAPIDLINK™*  
REPLACEMENT PARTS



## MOLDBOARDS

ITEM	PART NO.	DESCRIPTION	
	16022710	VMX75-2 Moldboard	
	16020414	MX68-2 Moldboard	
	16020424	MX75-2 Moldboard	
	16020434	MX80-2 Moldboard	
ACC	16021780	Shoe Kit, VMX	
ACC	16121350	Shoe Assy Only, MX/VMX	
ACC	16121703	Shoe Bracket, VMX	
ACC	16021720	Wing Kit, VMX (DS and PS)	
ACC	16021410	Wing Kit, MX (DS and PS)	
ACC	16124010	Edge, Back Drag, MX68	
ACC	16124020	Edge, Back Drag, MX75	
ACC	16124030	Edge, Back Drag, MX80	
VMX MOLDBOARD	1	16122216 VMX75 Moldboard Assy, DS Only	
		16122217 Wing Weldment, VMX75, DS	
	2	16122218 VMX75 Moldboard Assy, PS Only	
		16122219 Wing Weldment, VMX75, PS	
	3	16122228 Trip Angle Weldment, DS, VMX75	
	4	16122229 Trip Angle Weldment, PS, VMX75	
	5	16102110	Clevis Pin Kit, 3/4in x 2-1/8in
		16101164	Washer, .75in
	6	16102112	Cotter Pin, 5/32in x 1-1/2in
		16101200	Trip Spring
	7	16101232	Spring Mount Eye Bolt Kit, VMX (Set of 2)
	8	16120192	Trip Spring Weldment, VMX
	9	16122100	Blade Guide Kit
	10	16120124	Moldboard Cap, Plastic, VMX
	11	16120110	Moldboard Skin Hardware Kit (Set of 14)
	12	16121714	Skin, DS, VMX75, SST
	13	16121716	Skin, PS, VMX75, SST
	14	16120167	Deflector, DS, VMX75, Poly
	15	16120168	Deflector, PS, VMX75, Poly
	16	16120268	Clamp Strip, VMX75
	17	16120114	Cutting Edge Hdw Kit, 5/8in-11 (Set of 16)
	18	16120840	Center Cutting Edge, DS, VMX
16120850		Center Cutting Edge, PS, VMX	
20	16120810	Cutting Edge, 34in x 3/8in	
	16120811	Cutting Edge, 34in x 1/2in	
21	16101262	Edge Guard Kit, VMX	
22	16121408	VMX Moldboard Decal Set (Front and Rear)	

ITEM	PART NO.	DESCRIPTION
	16122340A	Frame, Moldboard, MX68
23	16122342A	Frame, Moldboard, MX75
	16122344A	Frame, Moldboard, MX80
24	16112300	Sector, MX
25	16101110A	Trip Pin Kit (Set of 2)
	16101516	Grease Fitting, 1/4in-28 Threaded
26	16101164	Washer, .75in
	16101220A	Spring Mount Eye Bolt Kit, MX (Set of 2)
27	16121350	Shoe Assembly, MX/VMX
28	16120122	Crosstube Cap
29	16121410	Skin, MX68, SST
	16121420	Skin, MX75, SST
30	16121430	Skin, MX80, SST
	16121156	Deflector, 80in Poly
31	16121157	Deflector, 80in Rubber
	16121158	Deflector, 90in Poly
32	16120157	Deflector, 90in Rubber
	16120158	Deflector, 96in Poly
33	16120159	Deflector, 96in Rubber
	16121256	Clamp Strip, 80in
34	16121258	Clamp Strip, 90in
	16120258	Clamp Strip, 96in
35	16120114	Cutting Edge Hdw Kit, 5/8in-11 (Set of 16)
	16120116	Cutting Edge Hdw Kit, 1/2in-13, MX68
36	16120510	Cutting Edge, 80in x 3/8in
	16120705	Cutting Edge, 80in Rubber
37	16120520	Cutting Edge, 90in x 3/8in
	16120610	Cutting Edge, 90in x 1/2in
38	16120710	Cutting Edge, 90in Rubber
	16120620	Cutting Edge, 96in x 1/2in
39	16120720	Cutting Edge, 96in Rubber
	16101260	Edge Guard Kit, MX
40	16121403	MX Moldboard Decal Kit (Front & Rear)