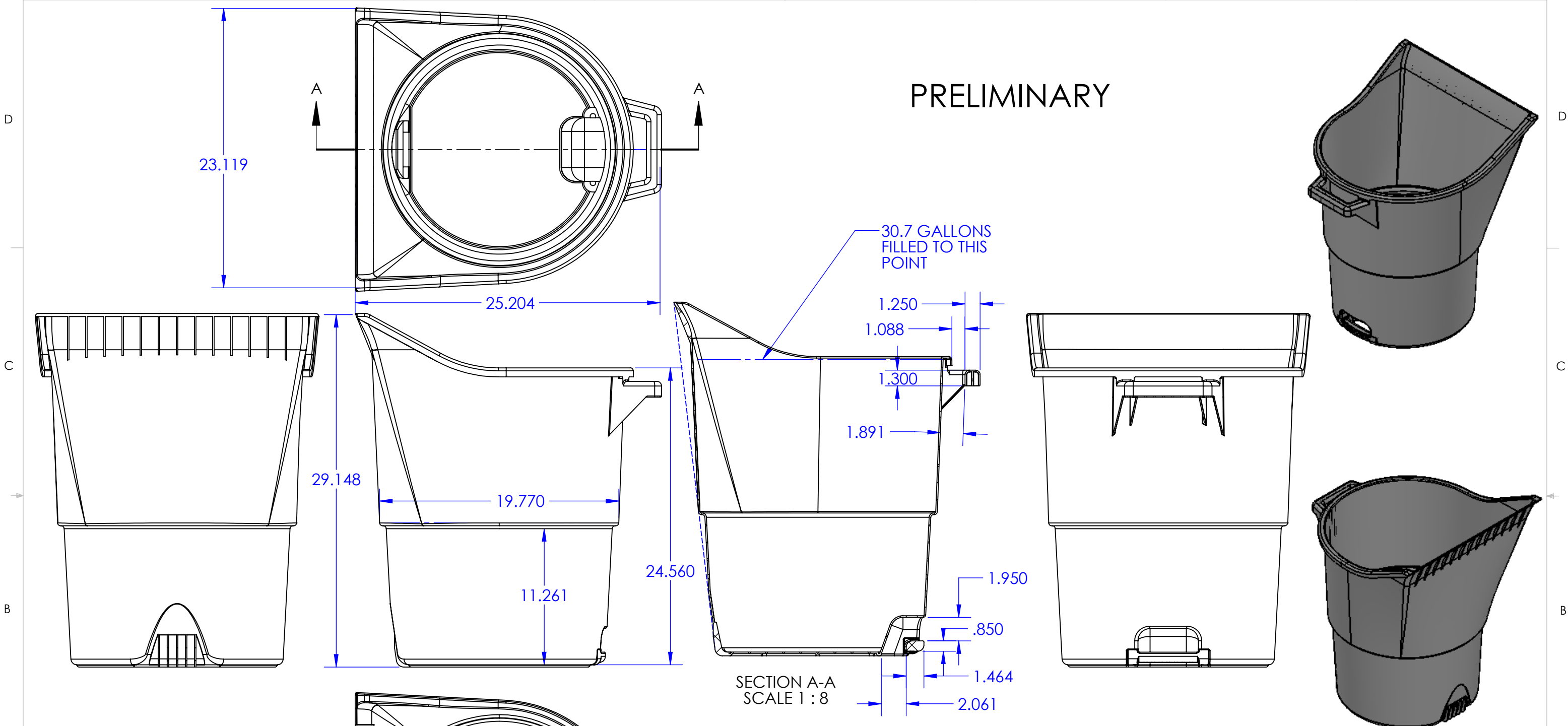
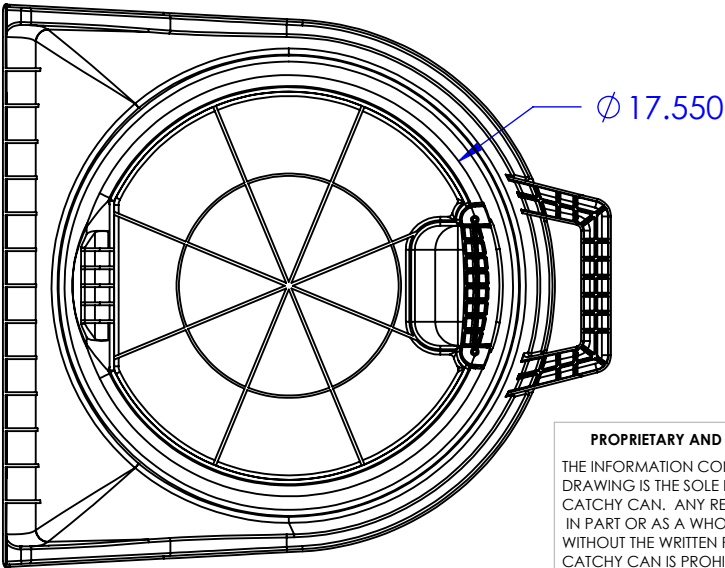


PRELIMINARY



APPROX. WEIGHT FOR CAN AND HANDLE IN HDPE  
 Mass = 9.64 pounds  
 Volume = 275.27 cubic inches



**PROPRIETARY AND CONFIDENTIAL**  
 THE INFORMATION CONTAINED IN THIS DRAWING IS THE SOLE PROPERTY OF CATCHY CAN. ANY REPRODUCTION IN PART OR AS A WHOLE WITHOUT THE WRITTEN PERMISSION OF CATCHY CAN IS PROHIBITED.

UNLESS OTHERWISE SPECIFIED:		NAME	DATE	<b>CATCHY CAN</b> <b>CATCHY CAN ASSEMBLY</b>		
DIMENSIONS ARE IN INCHES		DRAWN	JLH			6-19-15
TOLERANCES:		CHECKED				
FRACTIONAL ±		ENG APPR.				
ANGULAR: MACH ±		MFG APPR.			TITLE: <b>CATCHY CAN ASSEMBLY</b>	
BEND ±		Q.A.				
TWO PLACE DECIMAL ±0.010		COMMENTS:			SIZE <b>B</b> DWG. NO. Catchy Can Assem REV <b>X</b>	
THREE PLACE DECIMAL ±0.005					SCALE: 1:12 WEIGHT: SHEET 1 OF 1	
INTERPRET GEOMETRIC TOLERANCING PER:						
MATERIAL		HDPE				
FINISH		TEXTURED TBD				
NEXT ASSY	USED ON	DO NOT SCALE DRAWING				
APPLICATION						