



garden valves

925LF



930LF



975LF



980LF



features

- heavy duty lead-free bronze.
- IAPMO listed.
- 3-year limited warranty.
- max pressure: 125 PSI.
- max temperature: 180° F.
- 925LF & 975LF models feature dual "nested" 1/2" & 3/4" FIP threads.

base model	925LF	930LF	975LF	980LF
description	lead free 1/2" & 3/4" FIP nested threads	lead free garden valve-1" FIP inlet	lead free 1/2" & 3/4" inlet-inverted nose	lead free 1" FIP inlet-inverted nose
weight (lbs)	0.67	0.67	0.78	0.89
pack qty	6	6	6	6
case qty	36	36	36	36



- *Nested threads:
- 1/2" & 3/4" FIP Inlet

available options

loose key

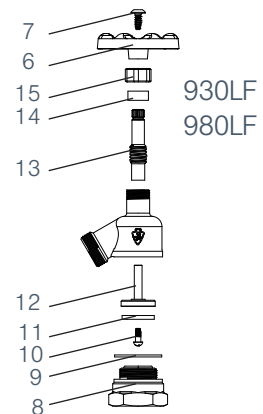
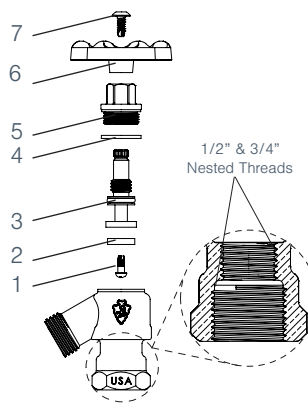


925LKLF
925LSLF
LK: lock-shield with key
LS: lock-shield; no key

anti-siphon back-flow
preventer



930BFPLF
factory installed
vacuum breaker-
ASSE 1011 certified



repair & replacement parts

replacement stem
925LF - 975LF



PK1140
complete stem &
bonnet assembly
(#'s 1-5)

replacement stem
930LF - 980LF



PK1130
complete stem,
washer & packing
assembly (#'s 10-15)

replacement oval
handle & screw



PK1290
green tee handle (6)
& handle screw (7)

replacement base
nut & gasket



PK1240
base nut & gasket
for 930LF & 980LF
garden valves (#'s
8 & 9)

replacement back-
flow preventer



58BFP
ASSE 1011;
replacement fine
thread vacuum
breaker