

B09

CHRISTY®

COVER

Style:	Flush
Material:	Composite with UV Inhibitor
Model:	10" x 15"
Weight:	20 lbs
Options:	Bolt Down Kit Special Markings
Surface:	Skid Resistant & Marked*
Coefficient of Friction:	>0.6 ASTM 1028
Performance:	ASTM C 857, WUC 3.6

Cover comes standard with permanent markings for manufacturer, load rating, model size and manufacturing location.

BODY

Material:	Reinforced Concrete with Composite Cap
Model:	20" x 15"
Weight:	12" Depth: 90 lbs
Wall Type:	Straight
Mouseholes:	0 - 2
Performance:	ASTM C 857, WUC 3.6

EXTENSION

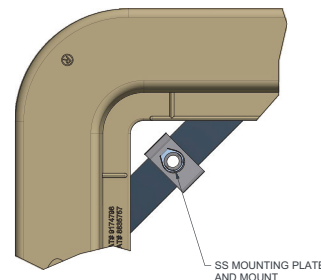
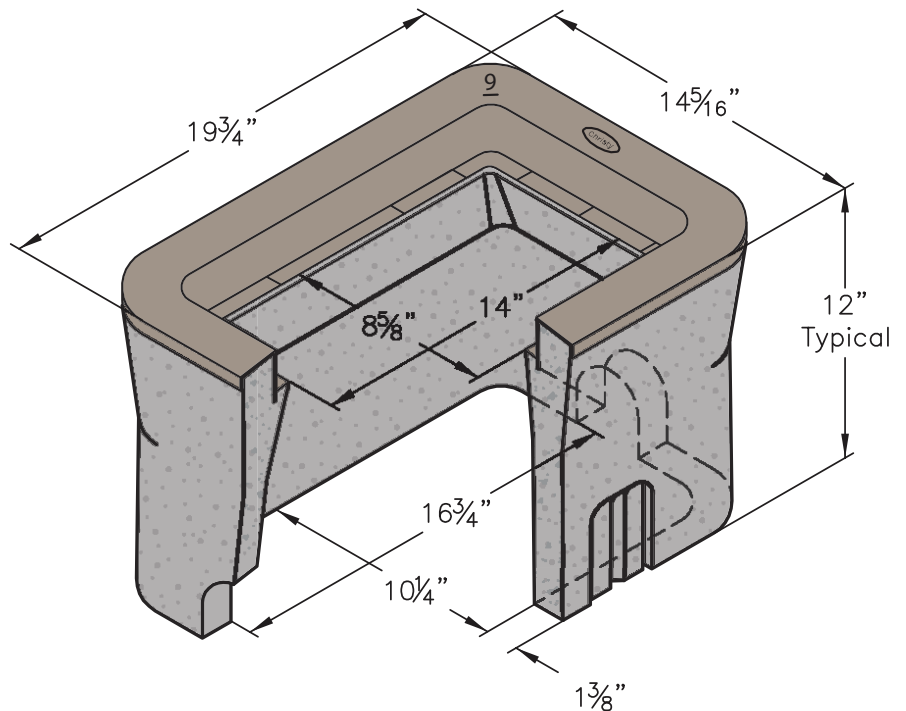
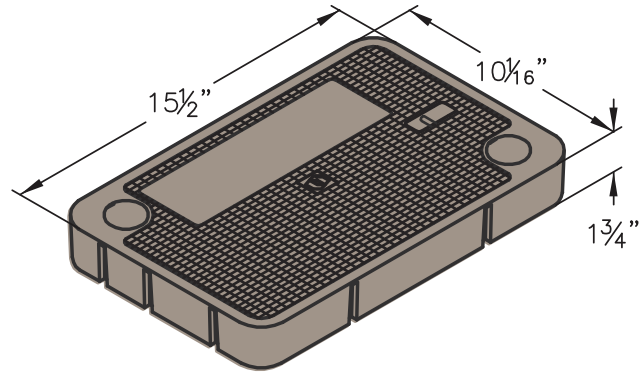
Material:	Reinforced Concrete
Depth:	12"
Weight:	87 lbs

LOAD RATING / NOTES



LIGHT DUTY
PEDESTRIAN / GREENBELT

For use in non-vehicular traffic situations only. Weights and dimensions may vary slightly. Actual load rating is determined by the box and cover combination.



Bolt Down Detail

B09

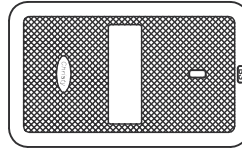
CHRISTY®

COVER OPTIONS

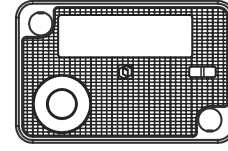
- R-Series, Flush Solid
- R-Series, Flush with AMR Opening
- Concrete, Flush with Cast Iron Reader Door
- Concrete, Slab
- Cast Iron, Flush Solid
- Steel Checker Plate, Solid
- Steel Checker Plate, with Reader Door

COVER OPTIONS

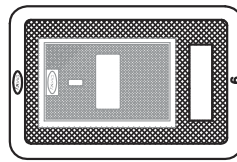
- Bolt Down Locking (R-Series Covers)
- Universal TL Key Locking (Cast Iron Covers)
- Galvanizing (Steel Covers)



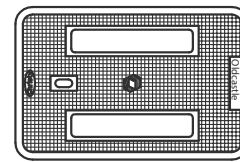
Concrete
Flush



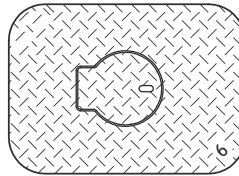
R-Series
with AMR Opening



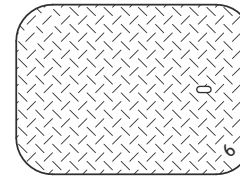
Concrete with
Cast Iron Reader Door



Cast Iron
Flush



Steel with 6" Round
Reader Door



Steel Checker
Plate

 **WARNING:** Cancer and Reproductive Harm - www.P65Warnings.ca.gov

All information contained on this sheet is current at the time of publication.
Oldcastle reserves the right to discontinue or update product information without notice.

Revision 12/06/18
© 2018 Oldcastle Infrastructure