

Job Name _____
 Job Location _____
 Engineer _____
 Approval _____

Contractor _____
 Approval _____
 Contractor's P.O. No. _____
 Representative _____

Series 860

Reduced Pressure Zone Assemblies

Size: 1/2" - 2"

The FEBCO Series 860 Reduced Pressure Zone Assemblies are for use in health-hazard applications. The series 860 are designed to protect drinking water supplies from dangerous cross-connections in accordance with national plumbing codes and water authority requirements for non-potable service applications such as irrigation, fireline, or industrial processing. End Connections – NPT ANSI / ASME B1.20.1

Pressure – Temperature

Max. Working Pressure: 175psi (12.1 bar)
 Hydrostatic Test Press: 350psi (24.1 bar)
 Temperature Range: 32°F to 140°F (0°C to 60°C)

Materials

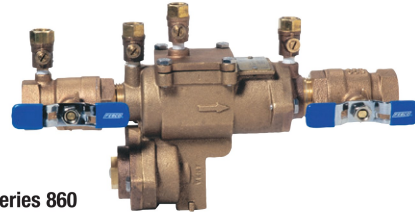
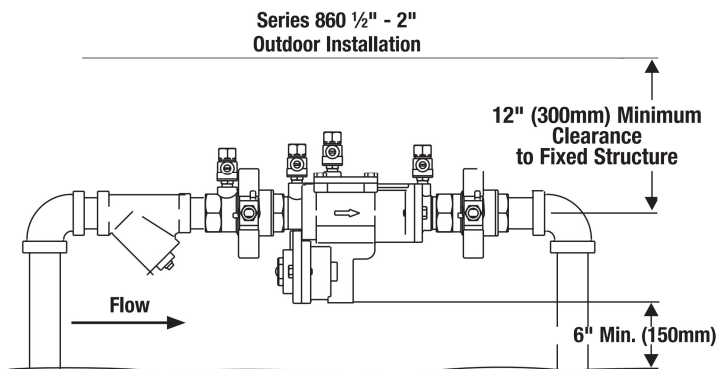
Valve Body: Bronze
 Elastomers: Silicone
 Springs: Stainless Steel

Approvals – Standards

- ANSI/AWWA Conformance (C511)
- Approved by the Foundation for Cross-Connection Control and Hydraulic Research at the University of Southern California.

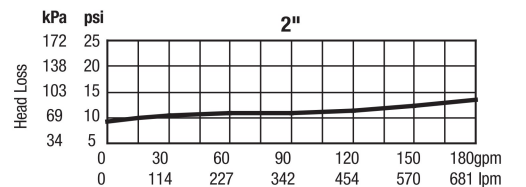
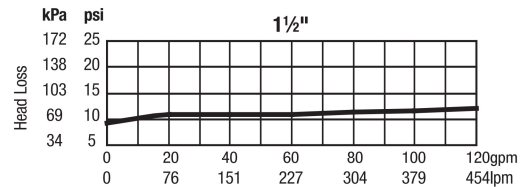
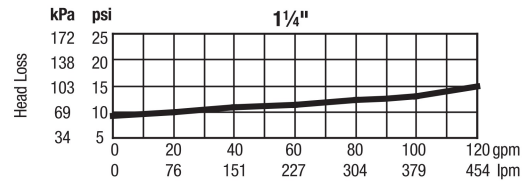
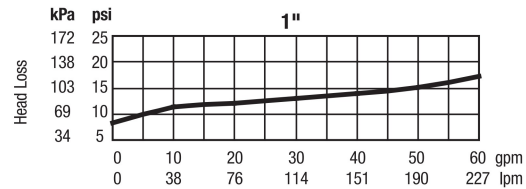
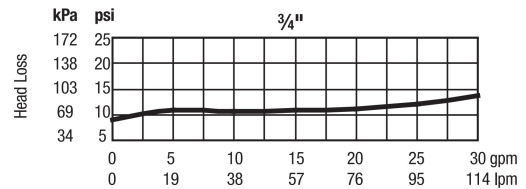
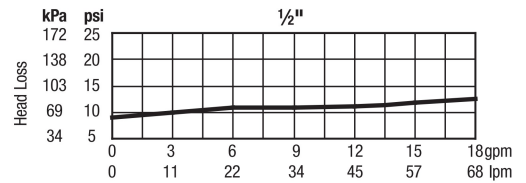


Typical Installation



Series 860

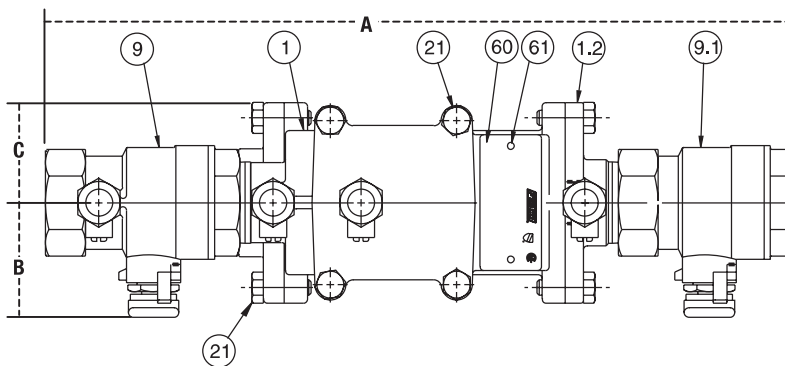
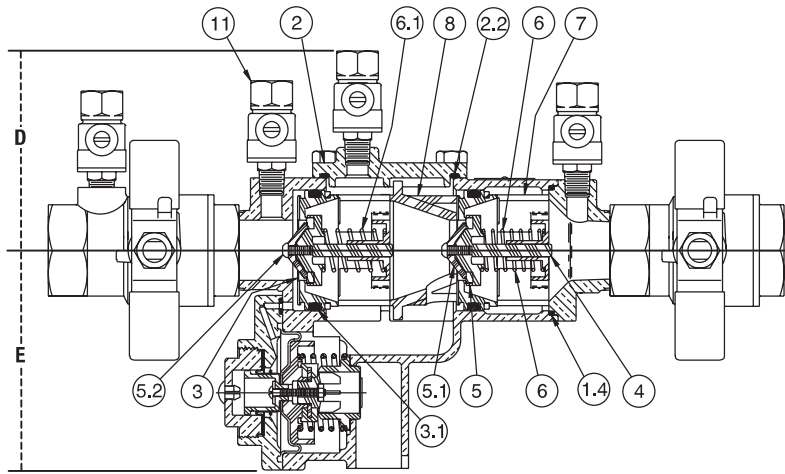
Capacity



A WATTS Brand

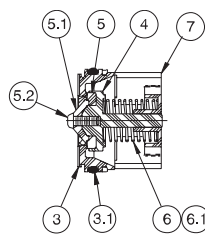
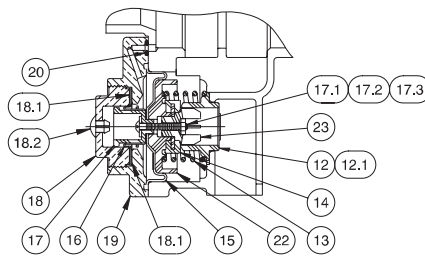
FEBCO product specifications in U.S. customary units and metric are approximate and are provided for reference only. For precise measurements, please contact FEBCO Technical Service. FEBCO reserves the right to change or modify product design, construction, specifications, or materials without prior notice and without incurring any obligation to make such changes and modifications on FEBCO products previously or subsequently sold.

Series 860 / Size: 1/2" - 2"



Relief Valve Assembly

Check Assembly



| ITEM | DESCRIPTION | MATERIALS |
|------|----------------------|--------------------|
| 1 | Body | Bronze |
| 1.2 | Tailpiece | Bronze |
| 1.4 | O-Ring | Silicone |
| 2 | Cover | Bronze |
| 2.2 | O-Ring | Silicone |
| 3 | Seat | Noryl® |
| 3.1 | O-Ring | Silicone |
| 4 | Poppet | Noryl® |
| 5 | Seat Disc | Silicone Rubber |
| 5.1 | Disc Retainer | Noryl® |
| 5.2 | Rnd HD Screw | Phillips, 18-8 SS |
| 6 | Spring | SS |
| 6.1 | Spring | SS |
| 7 | Guide | Noryl® |
| 8 | Retainer Spacer | Noryl® |
| 9 | Ball Valve | Bronze |
| 9.1 | Ball Valve | Bronze |
| 11 | Test Cock | Bronze |
| 12 | Seat Ring-RV | Noryl® |
| 12.1 | Gasket Ring-RV | Silicone Rubber |
| 13 | Spring-RV | SS |
| 14 | Seat Disc-RV | Silicone Rubber/SS |
| 15 | Diaphragm-RV | Rubber/Fabric |
| 16 | Outer Diaphragm-RV | Rubber/Fabric |
| 17 | Small Piston-RV | Noryl® |
| 17.1 | Rnd HD Screw | Phillips, 18-8 SS |
| 17.2 | Washer | 18-8 SS |
| 17.3 | Hex Nut | 18-8 SS |
| 18 | Cylinder-RV | Brass |
| 18.1 | Slip Ring-Cylinder | Acetal |
| 18.2 | Slide (Plug) | Nylon |
| 19 | Cover-RV | Bronze |
| 20 | O-Ring | Silicone |
| 21 | Hex HD Capscrew | 18-8 SS |
| 22 | Large Piston-RV | Noryl® |
| 23 | Guide-RV | Noryl® |
| 60 | Identification Plate | Brass |
| 61 | Drive Screw Stick | SS |

WARNING
It is illegal to use this product in any plumbing system providing water for human consumption, such as drinking or dishwashing, in the United States. Before installing standard material product, consult your local water authority, building and plumbing codes.

NOTICE

The gap drain is not designed to catch the maximum discharge possible from the relief valve. The installation of FEBCO air gap with the drain line terminating above a floor drain will handle any normal discharge or nuisance spitting through the relief valve. However, floor drain size may need to be designed to prevent water damage caused by a catastrophic failure condition. Do not reduce the size of the drain line from the air gap fitting.

NOTICE

The information contained herein is not intended to replace the full product installation and safety information available or the experience of a trained product installer. You are required to thoroughly read all installation instructions and product safety information before beginning the installation of this product.

NOTICE

Inquire with governing authorities for local installation requirements.

Dimensions – Weights

Size: 1/2" - 2"

| SIZE | DIMENSIONS | | | | | | | | | | WEIGHT | |
|-------|------------|-----|-------|----|-------|----|-------|-----|-------|-----|--------|------|
| | A | | B | | C | | D | | E | | lbs. | kgs. |
| | in. | mm | in. | mm | in. | mm | in. | mm | in. | mm | | |
| 1/2 | 10 | 254 | 1 1/2 | 38 | 1 1/2 | 38 | 3 1/8 | 79 | 3 1/2 | 89 | 5.6 | 2.5 |
| 3/4 | 10 3/4 | 273 | 1 1/2 | 38 | 1 1/2 | 38 | 3 1/8 | 79 | 3 1/2 | 89 | 5.8 | 2.6 |
| 1 | 12 1/2 | 318 | 1 7/8 | 48 | 1 5/8 | 41 | 3 3/8 | 86 | 3 5/8 | 92 | 9.2 | 4.2 |
| 1 1/4 | 15 7/8 | 403 | 3 | 76 | 2 1/2 | 64 | 4 1/4 | 108 | 5 5/8 | 143 | 20.2 | 9.2 |
| 1 1/2 | 16 3/8 | 416 | 3 | 76 | 2 1/2 | 64 | 4 1/4 | 108 | 5 5/8 | 143 | 20.6 | 9.4 |
| 2 | 17 7/8 | 450 | 3 1/2 | 89 | 2 1/2 | 64 | 4 1/4 | 108 | 5 5/8 | 143 | 24.8 | 11.3 |



A WATTS Brand

USA: Tel: (800) 767-1234 • Fax: (800) 788-4491 • FEBCOonline.com
 Canada: Tel: T: (888) 208-8927 • F: (888) 479-2887 • FEBCOonline.ca
 Latin America: (52) 55-4122-0138 • FEBCOonline.com