




---

 PROJECT
 

---



---

 CATALOG #
 

---



---

 TYPE
 

---



---

 NOTES
 

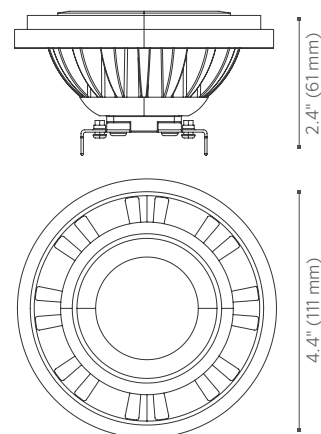
---

## PAR-36 Eco Lamp

The powerful PAR-36 Eco Lamp is perfect for applications that require a high output. Delivering up to 860 lm, it's available in two intensities, two beam angles, and two color temperatures.

### Quick Facts

- Durable, lightweight aluminum housing withstands any weather condition
- Two color temperature options offer a warm (2,700K) or soft (3,000K) look
- Compatible with the Luxor® Low-Voltage CUBE for zoning and dimming capabilities
- Available in 6 W and 10 W intensities for use in a variety of applications
- Two beam angle options for greater design flexibility
- Comes preinstalled in CF Well Lights



# PAR-36 Eco Lamp SPECIFICATIONS

Output	ECO35	ECO50
<b>Total Lumens</b>	670 to 680	850 to 860
<b>Input Voltage</b>	10 to 15 VAC	10 to 15 VAC
<b>Input Power</b>	6.0 W	10.0 W
<b>Power Consumption (VA)</b>	8.5 W	11.3 W
<b>Efficacy (lm/W)</b>	115	115
<b>Color Rendering Index (CRI)</b>	84 to 85	83 to 85
<b>Center Beam Candlepower</b>	749 to 1,138	849 to 1,521
<b>Dimming</b>		
<b>Primary Dimming (Transformer)</b>	Consult transformer specifications	
<b>Secondary Dimming (Fixture)</b>	Phase-cut*	Phase-cut*
<b>Minimum Rated Life L70 (Hrs)</b>	50,000	50,000

\* For optimal performance, use a trailing-edge (reverse phase-cut) dimmer.

## FX Luminaire

FX Luminaire is an industry-leading manufacturer of landscape and architectural lighting products with a focus on the advancement of LED technology and digital lighting control with zoning, dimming, and color adjustment capabilities. We offer a full spectrum of specification-driven lighting fixtures that can be utilized to create elegant, cutting-edge landscape lighting systems for commercial or residential applications. Our products are available exclusively via our extensive professional distributor network.

## Material

Aluminum housing

## Power

Input voltage: 10 to 15 VAC

## Control

Compatible with the Luxor Low-Voltage CUBE

## Weight

2.5 lbs (1.1 kg)

## Base

PAR36

## Color Temperature

2,700K and 3,000K

## Ambient Operating Temperature

0°F to 140°F (-18°C to 60°C)

## Sustainability

Innovation meets conservation in the design and manufacturing of our products. Where we can, we use recycled materials while maintaining superior functionality. Our LED products provide high-quality light at optimal energy efficiency, lifespan, and durability.

## Warranty

3-year limited warranty

## Listings



# PAR-36 Eco Lamp ORDERING INFORMATION

Model	Halogen Equivalent	Color Temperature	Beam Angle
PAR36ECO	■ <b>35</b> 35 W; consumes 8.5 VA	■ <b>W</b> Warm (2,700K)	■ <b>FL</b> Flood (35°)
	■ <b>50</b> 50 W; consumes 11.3 VA	■ <b>S</b> Soft (3,000K)	■ <b>WF</b> Wide flood (60°)

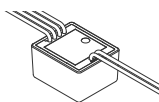
EXAMPLE CONFIGURATION: PAR36ECO-50-W-FL

PAR36ECO -  -  -

Model Number	Description	Watts	VA	Equivalent Wattage	CCT	Beam Spread	Total Lumens	CBCP	CRI	Efficacy
PAR36ECO35WFL	Warm, Flood	6 W	8.5	35 W	2,700K	35°	690	1,120	84	115
PAR36ECO35WWF	Warm, Wide Flood	6 W	8.5	35 W	2,700K	60°	670	753	84	115
PAR36ECO35SFL	Soft, Flood	6 W	8.5	35 W	3,000K	35°	680	1,138	85	115
PAR36ECO35SWF	Soft, Wide Flood	6 W	8.5	35 W	3,000K	60°	680	749	85	115
PAR36ECO50WFL	Warm, Flood	10 W	11.3	50 W	2,700K	35°	860	1,521	83	106
PAR36ECO50WWF	Warm, Wide Flood	10 W	11.3	50 W	2,700K	60°	860	953	83	106
PAR36ECO50SFL	Soft, Flood	10 W	11.3	50 W	3,000K	35°	850	1,449	85	106
PAR36ECO50SWF	Soft, Wide Flood	10 W	11.3	50 W	3,000K	60°	850	849	85	106

## Luxor Technology Option: Specify Separately

Item	Code
■ <b>LUXOR LOW-VOLTAGE CUBE</b> <i>Supports AC dimmable LEDs and incandescent;</i> <b>MAX LOAD: 60 W/5 A</b>	LCM-LV



# PAR-36 Eco Lamp PHOTOMETRICS

*PAR36ECO35SWF* Illuminance at a Distance

Feet (Meters)	Center Beam Foot-Candles (Lux)	Beam Width Vertical 48.7°
8.3' (2.5 m)	10.9 fc (117 lx)	7.5' (2.3 m)
16.7' (5.1 m)	2.7 fc (29 lx)	15.1' (4.6 m)
25.0' (7.6 m)	1.2 fc (13 lx)	22.6' (6.9 m)
33.3' (10.2 m)	0.7 fc (7 lx)	30.1' (9.2 m)
41.7' (12.7 m)	0.4 fc (5 lx)	37.7' (11.5 m)

*PAR36ECO35SFL* Illuminance at a Distance

Feet (Meters)	Center Beam Foot-Candles (Lux)	Beam Width Vertical 48.8°
8.3' (2.5 m)	13.8 fc (149 lx)	7.5' (2.3 m)
16.7' (5.1 m)	3.4 fc (37 lx)	15.2' (4.6 m)
25.0' (7.6 m)	1.5 fc (17 lx)	22.7' (6.9 m)
33.3' (10.2 m)	0.9 fc (9 lx)	30.2' (9.2 m)
41.7' (12.7 m)	0.6 fc (6 lx)	37.9' (11.6 m)

*PAR36ECO50SFL* Illuminance at a Distance

Feet (Meters)	Center Beam Foot-Candles (Lux)	Beam Width Vertical 35.0°
8.3' (2.5 m)	21.0 fc (226 lx)	5.2' (1.6 m)
16.7' (5.1 m)	5.2 fc (56 lx)	10.5' (3.2 m)
25.0' (7.6 m)	2.3 fc (25 lx)	15.7' (4.8 m)
33.3' (10.2 m)	1.3 fc (14 lx)	21.0' (6.4 m)
41.7' (12.7 m)	0.8 fc (9 lx)	26.3' (8.0 m)

*PAR36ECO50WFL* Illuminance at a Distance

Feet (Meters)	Center Beam Foot-Candles (Lux)	Beam Width Vertical 34.8°
8.3' (2.5 m)	22.1 fc (238 lx)	5.2' (1.6 m)
16.7' (5.1 m)	5.5 fc (59 lx)	10.5' (3.2 m)
25.0' (7.6 m)	2.4 fc (26 lx)	15.7' (4.8 m)
33.3' (10.2 m)	1.4 fc (15 lx)	20.8' (6.3 m)
41.7' (12.7 m)	0.9 fc (7 lx)	26.1' (8.0 m)

*PAR36ECO35WWF* Illuminance at a Distance

Feet (Meters)	Center Beam Foot-Candles (Lux)	Beam Width Vertical 48.7°
8.3' (2.5 m)	10.9 fc (117 lx)	7.5' (2.3 m)
16.7' (5.1 m)	2.7 fc (29 lx)	15.1' (4.6 m)
25.0' (7.6 m)	1.2 fc (13 lx)	22.6' (6.9 m)
33.3' (10.2 m)	0.7 fc (7 lx)	30.1' (9.2 m)
41.7' (12.7 m)	0.4 fc (5 lx)	37.7' (11.5 m)

*PAR36ECO35WFL* Illuminance at a Distance

Feet (Meters)	Center Beam Foot-Candles (Lux)	Beam Width Vertical 33.7°
8.3' (2.5 m)	19.4 fc (209 lx)	5.0' (1.5 m)
16.7' (5.1 m)	4.8 fc (52 lx)	10.1' (3.1 m)
25.0' (7.6 m)	2.1 fc (23 lx)	15.1' (4.6 m)
33.3' (10.2 m)	1.2 fc (13 lx)	20.1' (6.1 m)
41.7' (12.7 m)	0.8 fc (8 lx)	25.2' (7.7 m)

*PAR36ECO50SWF* Illuminance at a Distance

Feet (Meters)	Center Beam Foot-Candles (Lux)	Beam Width Vertical 52.0°
8.3' (2.5 m)	12.3 fc (132 lx)	8.1' (2.5 m)
16.7' (5.1 m)	3.0 fc (33 lx)	16.3' (5.0 m)
25.0' (7.6 m)	1.4 fc (15 lx)	24.4' (7.4 m)
33.3' (10.2 m)	0.8 fc (8 lx)	32.5' (10.0 m)
41.7' (12.7 m)	0.5 fc (5 lx)	40.7' (12.4 m)

*PAR36ECO50WWF* Illuminance at a Distance

Feet (Meters)	Center Beam Foot-Candles (Lux)	Beam Width Vertical 48.8°
8.3' (2.5 m)	13.8 fc (149 lx)	7.5' (2.3 m)
16.7' (5.1 m)	3.4 fc (37 lx)	15.2' (4.6 m)
25.0' (7.6 m)	1.5 fc (17 lx)	22.7' (6.9 m)
33.3' (10.2 m)	0.9 fc (9 lx)	30.2' (9.2 m)
41.7' (12.7 m)	0.6 fc (6 lx)	37.9' (11.6 m)

© 2021 Hunter Industries™. Hunter, FX Luminaire, all related logos, and all other trademarks are property of Hunter Industries, registered in the U.S. and other countries.