

Centrifugal Pumps

FEATURING FLINT & WALLING'S *SERVICE PLUS* MOTORS

Model CJ103

- Low lead brass or thermoplastic impellers
- Capacities to 113 GPM
- Pressures to 45 PSI
- Discharge can be rotated to any one of four positions for horizontal or vertical positioning

CJ103
1/3, 1/2, 3/4, 1,
1-1/2, 2 and 3 HP

Model CJ101

- Low lead brass or thermoplastic impellers
- Capacities to 57 GPM
- Pressures to 95 PSI
- Multi-Stage for high head



CJ101, CJ103



CJ101
3/4, 1, 1-1/2, 2
and 3 HP

Single or three phase

Suction lifts to 25 feet

Pressures to 95 PSI



Centrifugal Pumps

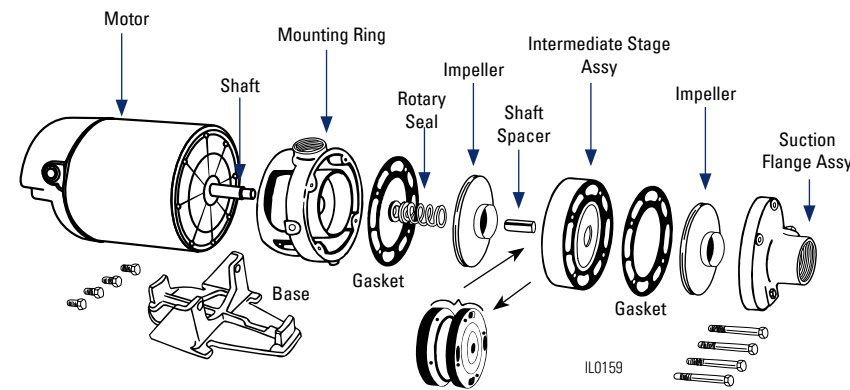
Flint & Walling single and multi stage CJ103 and CJ101 centrifugal pumps are non-self priming with suction lifts up to 25 feet. Applications include booster service, water circulation, liquid

transfer, cooling systems, jockey pump service and general service in farm, commercial and industrial applications.

COMPONENT DESCRIPTION	CJ103 SERIES 1/3 THROUGH 3 HP SINGLE STAGE MODELS		CJ101 SERIES 3/4 THROUGH 3 HP TWO & THREE STAGE MODELS	
	Suction Body	Cast iron w/low lead brass clearance ring. Discharge port rotates in 90° increments. 1/4" vacuum tappings and drain plugs.		Cast iron w/low lead brass clearance ring and 1/4" vacuum tapping.
Impeller(s)	Closed low lead brass or closed thermoplastic		Closed low lead brass or closed thermoplastic	
Gasket(s)	Buna-N square cut ring		Lexide gasket, Buna-N square cut ring	
Intermediate Stage(s)	Not applicable		Cast iron w/brass suction and hub clearance rings	
Shaft Seal	Silicon carbide, stainless steel spring, and Buna-N		Silicon carbide, stainless steel spring, and Buna-N	
Mounting Ring	Cast iron body		Cast iron body, 1/4" tapping for applications requiring a pressure switch	
Pump Shaft	Threaded 416 stainless steel		Threaded 416 stainless steel	
Base	Rigid steel base assembly		Heavy cast iron base assembly	
Motor	All CJ101 and CJ103 single phase (with ODP motors) pumps feature Flint & Walling's Service Plus 56 frame NEMA J, single or dual voltage ODP motors with permanently lubricated double ball bearing. NOTE: CJ103 1 HP and above 3 PH and pumps with TEFC motors feature purchased motors. Single or three phase options TEFC motors available on selective models.			

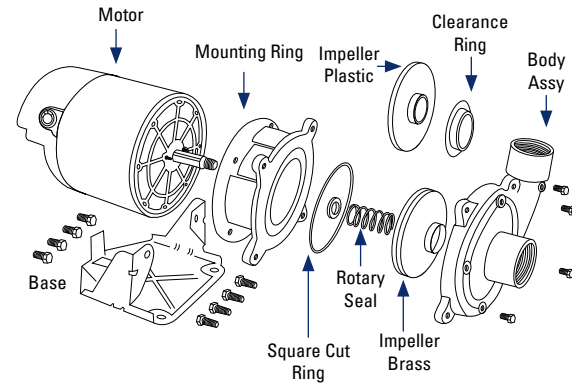
Open Drip Proof (ODP) motor voltage
 CJ101 Single Phase: 1/3 through 2 HP - 115/230V;
 3 HP - 230V, 60HZ
 CJ103 Single Phase: 1/3 through 3/4 HP - 115/230V, 60/50HZ;
 1 through 3 HP, 230V, 60HZ
 Three Phase: 1/2 through 2 HP - 208-230V/460V, 50/60HZ
 3 HP - 208-230/460V; 60HZ

Totally Enclosed Fan Cooled (TEFC) motor voltage
 Single Phase: 1/2 through 3 HP - 115/230V 60/50HZ
 Three Phase: 1/2 through 3 HP - 208-230/460V 60/50HZ



CJ101 SERIES

Product may not be exactly as shown.



CJ103 SERIES

CJ103 1/2, 3/4 and 1 HP series also available with autophoretic coating on inside of castings.
 Add suffix PC to Model No. Example: CJ103101PC.

**In order to follow DOE P.E.I. requirements, single phase CJ103201 pumps will ship with a 3 HP motor.

CJ103 DOE Compliance

PUMP MODEL	Impeller Dia.	P.E.I.CL	PUMP MODEL	Impeller Dia.	P.E.I.CL	PUMP MODEL	Impeller Dia.	P.E.I.CL	PUMP MODEL	Impeller Dia.	P.E.I.CL
CJ103101	4.870"	0.98	CJ103153	5.090"	0.99	CJ103P103	5.000"	0.99	CJ103201T	5.090"	0.99
CJ103151	5.090"	0.99	CJ103203	5.090"	0.99	CJ103P153	5.090"	0.99	CJ103103T	4.870"	0.91
CJ103201	5.090"	0.98	CJ103P101	5.000"	0.98	CJ103101T	4.870"	0.99	CJ103153T	5.090"	0.93
CJ103103	4.870"	0.99	CJ103P151	5.090"	0.90	CJ103151T	5.090"	0.99	CJ103203T	5.090"	0.91



Centrifugal Pumps

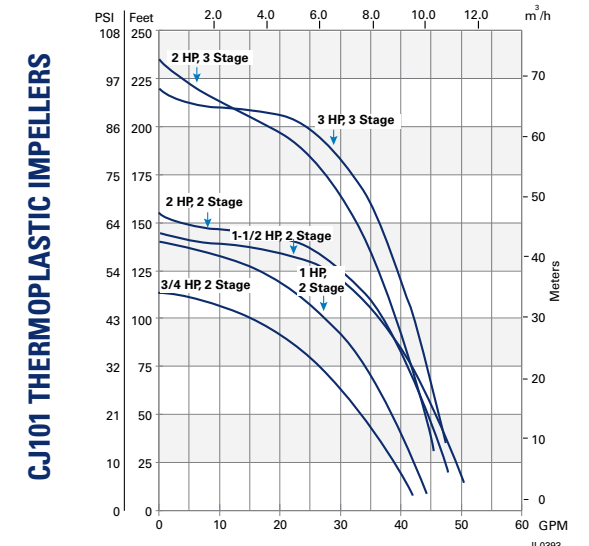
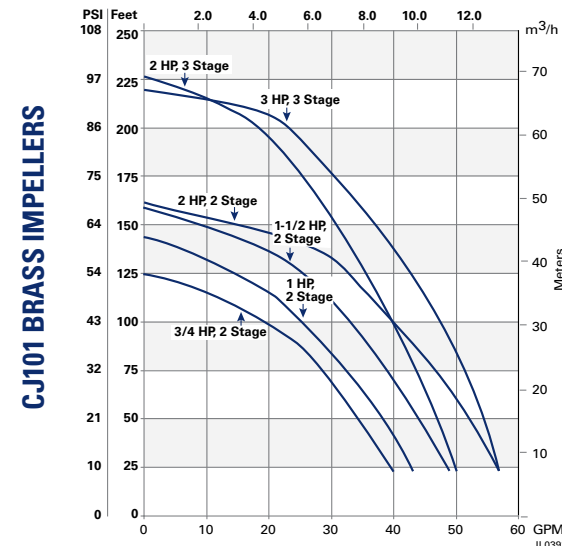
PUMP PERFORMANCE

CJ101 SERIES CENTRIFUGAL PUMPS, LOW LEAD BRASS IMPELLERS														MAX. PRESS. PSI	*MAX. CASE PRESS.	*MAX. LIQUID TEMP.			
MODEL NO.			HP	STAGES	LIFT FT.	Discharge Pressure PSI													
1 PHASE	3 PHASE	LESS MOTOR				10	20	30	40	50	60	70	80				90		
CJ101B071AB	CJ101B073AB	CJ101B0710AB	3/4	2	5	39	34	29	21	5							54	160psig	200° F
CJ101B071TAB	CJ101B073TAB					15	18	12											
						25	23	12											
CJ101B101AB	CJ101B103AB	CJ101B1010AB	1	2	15	42	38	33	26	18						62	160psig	200° F	
CJ101B101TAB	CJ101B103TAB					15	14	14											
						25	21	21											
CJ101B151AB	CJ101B153AB	CJ101B1510AB	1 1/2	2	15	48	44	39	34	27	17					69	160psig	200° F	
CJ101B151TAB	CJ101B153TAB					15	10	10											
						25	20	20											
CJ101B201AB	CJ101B203AB	CJ101B2010AB	2	2	15	56	52	47	41	34	24					70	160psig	200° F	
CJ101B201TAB	CJ101B203TAB					15	19	19											
						25	19	19											
CJ101C201AB	CJ101C203AB		2	3	15	49	47	43	40	36	32	28	22	12	98	160psig	200° F		
CJ101C201TAB	CJ101C203TAB					15	19	19	19	19	19	19	19	19				19	19
						25	15	15	15	15	15	15	15	15				15	15
CJ101C301AB	CJ101C303AB		3	3	15	56	54	51	48	44	39	33	27	18	95	160psig	200° F		
CJ101C301TAB	CJ101C303TAB					15	15	15	15	15	15	15	15	15				15	15
						25	15	15	15	15	15	15	15	15				15	15

Δ Less than 50% US content

CJ101 SERIES CENTRIFUGAL PUMPS, PLASTIC IMPELLERS														MAX. PRESS. PSI	*MAX. CASE PRESS.	*MAX. LIQUID TEMP.			
MODEL NO.			HP	STAGES	LIFT FT.	Discharge Pressure PSI													
1 PHASE	3 PHASE					10	20	30	40	50	60	70	80				90		
CJ101P071	CJ101P073		3/4	2	5	41	35	28	20						49	160psig	160° F		
						15	13	13											
						25	22	22											
CJ101P101	CJ101P103		1	2	15	45	40	35	28	20				60	160psig	160° F			
						15	15	15											
						25	22	22											
CJ101P151	CJ101P153		1 1/2	2	15	54	50	44	38	28				61	160psig	160° F			
						15	23	23											
						25	17	17											
CJ101P201	CJ101P203		2	2	15	55	52	47	41	34	23			67	160psig	160° F			
						15	17	17											
						25	17	17											
CJ101D201	CJ101D203		2	3	15	44	44	44	41	37	32	28	22	16	101	160psig	160° F		
						15	11	11	11	11	11	11	11	11				11	11
						25	15	15	15	15	15	15	15	15				15	15
	CJ101D303		3	3	15	54	52	50	47	44	39	33	25	15	95	160psig	160° F		
						15	11	11	11	11	11	11	11	11				11	11
						25	15	15	15	15	15	15	15	15				15	15

*Do not exceed the maximum case pressure and maximum liquid temperature rating of the pump. Performance shown for 60Hz models. 50 Hz models also available.
 Suction and Discharge Tappings 1-1/2" X 1-1/4"



Centrifugal Pumps

PUMP PERFORMANCE

CJ103 SERIES CENTRIFUGAL PUMPS, LOW LEAD BRASS IMPELLERS																	
MODEL NO.		HP	STAGES	LIFT FT.	Discharge Pressure PSI										MAX. PRESS. PSI	*MAX. CASE PRESS.	*MAX. LIQUID TEMP.
1 PHASE	3 PHASE				10	15	20	25	30	35	40	45	50				
					CAPACITY U.S. GPM												
CJ103031AB		1/3	1	5 15 25	42 36 28	34 26	21							27	100psig	200° F	
CJ103051AB CJ103051TAB		1/2	1	5 15 25	50 43 33	47 40 30	37 29 15	25						32	100psig	200° F	
CJ103071 CJ103071T	CJ103073 CJ103073T	3/4	1	5 15 25	71 66 57	62 54 43	51 40 25	36 19	11					32	100psig	200° F	
CJ103101 CJ103101T	CJ103103 CJ103103T	1	1	5 15 25	76 73 66	69 65 54	61 45	50 41 29	36 24	16				39	100psig	200° F	
CJ103151 CJ103151T	CJ103153 CJ103153T	1 1/2	1	5 15 25	94 92 74	88 85 72	80 75 66	70 63 52	59 49 34	44 27	18			43	100psig	200° F	
CJ103201 CJ103201T	CJ103203 CJ103203T	3 2	1	5 15 25	109 109 90	103 103 89	96 94 85	86 82 71	75 67 51	61 45	39			44	100psig	200° F	

CJ103 SERIES CENTRIFUGAL PUMPS, PLASTIC IMPELLERS																	
MODEL NO.		HP	STAGES	LIFT FT.	Discharge Pressure PSI										MAX. PRESS. PSI	*MAX. CASE PRESS.	*MAX. LIQUID TEMP.
1 PHASE	3 PHASE				10	15	20	25	30	35	40	45	50				
					CAPACITY U.S. GPM												
CJ103P031		1/3	1	5 15 25	43 35 26	35 24	21							26	100psig	160° F	
CJ103P051	CJ103P053	1/2	1	5 15 25	45 41 31	45 41 29	44 38 27	36 24	19					32	100psig	160° F	
CJ103P071	CJ103P073	3/4	1	5 15 25	69 64 49	68 62 48	64 57 45	57 46 31	42 28	20				38	100psig	160° F	
CJ103P101	CJ103P103	1	1	5 15 25	67 61 47	65 59 46	64 58 45	62 55 43	51 41 23	35				40	100psig	160° F	
CJ103P151	CJ103P153	1 1/2	1	5 15 25	68 62 48	67 61 47	66 60 46	65 59 45	63 55 41	52 39	31			44	100psig	160° F	

*Do not exceed the maximum case pressure and maximum liquid temperature rating of the pump. Performance shown for 60Hz models. 50 Hz models also available. Models with suffix T denotes TEFC motor. All other models utilize ODP motors. Suction and Discharge Tappings 1-1/2" X 1-1/4"

