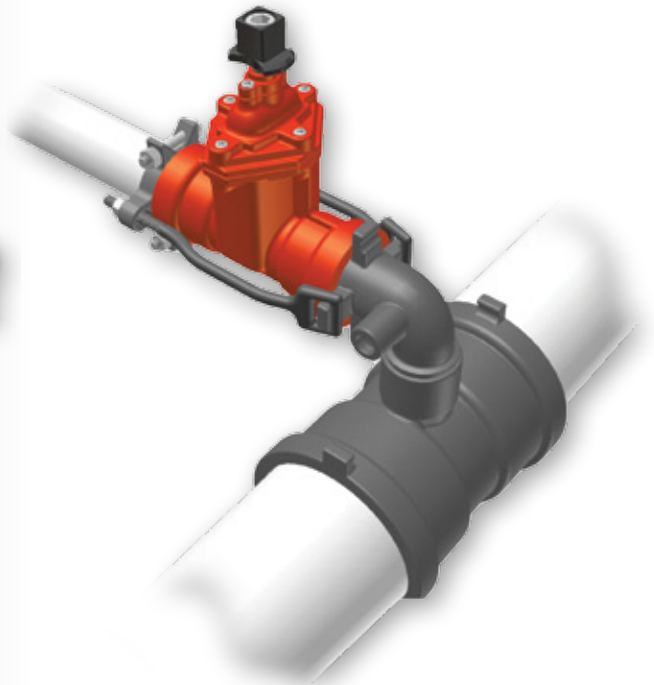
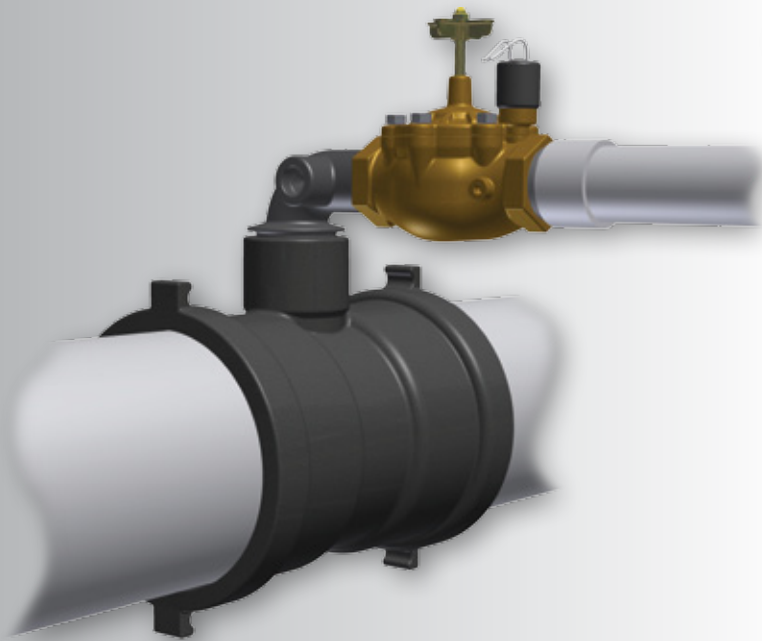
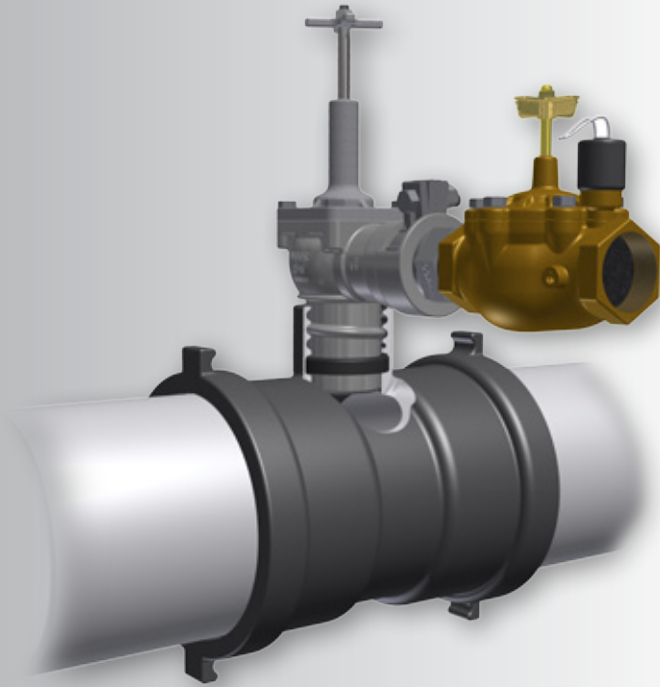


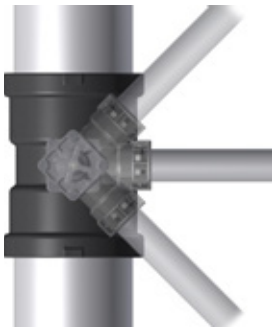
# SWIVEL JOINT LATERAL CONNECTION



# SWIVEL JOINT LATERAL CONNECTION

## Lateral to main connections are now quick, easy, and durable

HARCO ductile iron Lateral 90°s, Lateral Nipples, Service Tees, Saddles, and Lateral Isolation Valves equipped with the Swivel Joint make for quick and problem free connections that are easy to seal and orient unlike conventional NPT pipe joints. Ductile Iron construction makes for long term reliability. The Swivel Joint Lateral Connection System can be used in PVC or PE systems. The Swivel Joint Lateral Connection System is covered by U.S. Patent # 4,055,865.



### No tape or paste and true 360° of lateral orientation

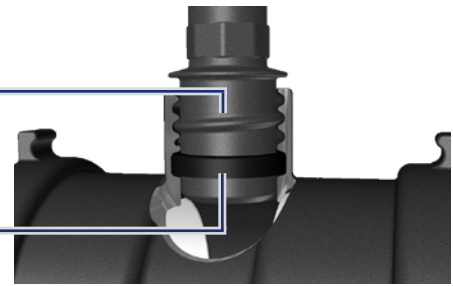
Simply lube the gasket and spigot with ordinary pipe lube, thread the connection home, and then rotate the joint back to the desired lateral line direction. No risk or strain of over tightening a joint or risk of losing seal.

### Universal mainline branch connection

Swivel Tees and Swivel Saddles are provided with a universal branch design serving all sizes of Lateral 90°s and Lateral Nipples. No more ordering the wrong size branch outlet. The joint is based on the proven 2½" joint used in HARCO ductile iron fittings. The flow way is maximized and transitions are tapered to smooth flow through the joint.

CAST "ROPE THREAD" CONNECTION

PROVEN HARCO GASKET SEAL



## Eliminate NPT threads and glue joints with Swivel Joint systems for push-on valves

Outlets of valves are restrained to the pipe with mechanical joint restraint. See information on HARCO Restraints for additional options.

### Different riser elevations

Different riser elevations are served with Lateral 90°s and Lateral Nipples of various lengths. For special situations Swivel Extensions are available that provide height adjustments in 6" increments.

### Side Outlet Taps

Side Outlet Taps are available for all Lateral 90°s, Lateral Nipples, and Lateral Isolation Valves to utilize quick coupler valves.

### No extra pieces

With the Swivel Joint there is no need for "collar style clamps" that must be bolted together. There are no restraint links requiring screws to attach to valves. There are no "clips" required to permit 360° of rotation or to hold the valve in place. Joint restraint for Lateral Isolation Valves require only one clamp bolt to actuate.

## INSTALLATION INSTRUCTIONS

1. See that gasket in female Swivel Joint is properly installed and that joint is free of debris.
2. See that spigot and thread of male Swivel Joint is smooth and free of debris.
3. Lubricate the gasket and the spigot with the lubricant supplied by the pipe manufacturer.
4. Insert male Swivel Joint into female Swivel Joint so that the threads are "started."
5. Rotate male thread "in" until joint "bottoms out."
6. Rotate male thread "out" to proper horizontal orientation up to and no more than 360°.

## SUGGESTED SPECIFICATION

Fittings connecting mainlines to lateral lines shall be HARCO Ductile Iron Swivel Joint Fittings. The connection shall be sealed by a gasketed joint and separately restrained by means of a threaded connection. The connection shall permit 360° adjustment of the lateral line orientation while maintaining the joint seal. All fittings shall be Ductile Iron to ASTM A536 and rated for 350 psi. Gaskets shall be SBR and meet ASTM F477. Fittings shall be as manufactured by The Harrington Corporation of Lynchburg, Virginia

## STAINLESS STEEL LATERAL ISOLATION VALVES

GASKET x MALE SWIVEL (OUTLET SIZE x HEIGHT FROM TOP OF MAIN TO TOP OF LATERAL)



SIZE	CROSS HANDLE PART #		SQUARE NUT PART #	
	DUCTILE IRON GRIP RING	STAINLESS STEEL GRIP RING	DUCTILE IRON GRIP RING	STAINLESS STEEL GRIP RING
2 x 6	8411062PL	8411062PQ	8411062PN	8411062PR
2 x 12'	8411122PL	8411122PQ	8411122PN	8411122PR
2½ x 6	8412062PL	8412062PQ	8412062PN	8412062PR
3 x 6	8413062PL	8413062PQ	8413062PN	8413062PR
4 x 6	8414062PL	8414062PQ	8414062PN	8414062PR

\* 2" X 12" VALVES ARE ASSEMBLED FROM 2" X 6" VALVES AND FBE COATED 6" EXTENSIONS

## STANDARD PORT VALVE, DI BODY

### DUCTILE IRON GRIP RING



SIZE	PART NUMBER
2" x 6"	843106
2" G x G	8431GG

## STANDARD PORT VALVE, DI BODY

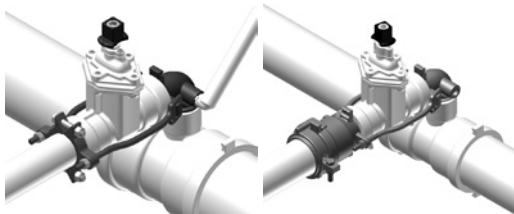
### STAINLESS STEEL GRIP RING



SIZE	PART NUMBER
2" x 6"	843106Q
2" G x G	8431GGQ

## SWIVEL LATERAL KIT

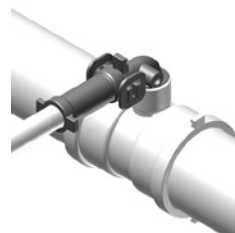
### PUSH-ON IRON GATE VALVE



SIZE x RISE	STANDARD PART #	1" SIDE OUTLET	1" SIDE OUTLET PLUGGED
2 x 6	8018506K	80185062K	80185062PK
2½ x 6	8028506K	80285062K	80285062PK
3 x 7	8038507K	80385072K	80385072PK
3 x 4 x 7	803048527K	8030485272K	8030485272PK

## LATERAL 90°

### BELL X MALE SWIVEL



SIZE	PART #
2 x 6	80190
2½ x 6	80290
3 x 7	80390

## SWIVEL TEE



SIZE	PART #
2	8015405
2½	8025405
3	8035405
4	8045405
6	8065405
8	8085405
10	8105405
12	8125405
14	8145405
16	8165405

## SADDLE

### 2" GASKETED BELL OUTLET

Note: For use with 2" knuckle restraint part number 60-100-02



SIZE	PART #
3	80382
4	80482
6	80682
8	80882
10	81082
12	81282
14	81492H
16	81692H

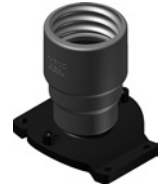
## SWIVEL SADDLE



SIZE	PART #
3	80381
4	80481
6	80681
8	80881
10	81081
12	81281

## IPS ELECTROFUSION SWIVEL SADDLE

EF X SWIVEL; NUPI BASED



SIZE	PART #
3	70-5303
4	70-5304
6	70-5306
8	70-5308
10	70-5310
12	70-5312
14 - 24	70-5314

## DOUBLE STRAP SWIVEL SADDLE FOR PVC & PE



SIZE	IPS PART #	DIPS PART #
3	80381H	n/a
4	80481H	80491H
6	80681H	80691H
8	80881H	80891H
10	81081H	81091H
12	81281H	81291H
14	81481H	81491H
16	81681H	81691H

## LATERAL TEE

### BELL X MALE SWIVEL



SIZE	PART #
2 x 6	80191
2½ x 6	80291
3 x 7	80391

# SWIVEL JOINT LATERAL CONNECTION

## LATERAL 90°

MALE NPT X MALE SWIVEL



SIZE x RISE	STANDARD PART #	1" SIDE OUTLET	1" SIDE OUTLET PLUGGED
1 x 6	80B86	80B862	80B862P
1½ x 6	80086	800862	800862P
2 x 6	80186	801862	801862P
2 x 12	8018612	80186122	80186122P
2½ x 6	80286	802862	802862P
3 x 7	80386	803862	803862P

## LATERAL NIPPLE

MALE NPT X MALE SWIVEL



SIZE x RISE	STANDARD PART #	1" SIDE OUTLET	1" SIDE OUTLET PLUGGED
2 x 8	8720808	87208082	87208082P
2 x 12	8721208	87212082	87212082P
2 x 14	8721408	87214082	87214082P
2 x 18	8721808	87218082	87218082P
2½ x 8	8720810	87208102	87208102P
3 x 10	8721012	87210122	87210122P

## ADAPTER

FEMALE SWIVEL X THREAD



SIZE	PART #
2 MNPT	873-008

## LATERAL NIPPLE

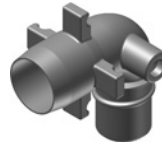
SPIGOT X MALE SWIVEL



SIZE x RISE	STANDARD PART #	1" SIDE OUTLET	1" SIDE OUTLET PLUGGED
2 x 10	8731008	87310082	87310082P
2 x 12	8731208	87312082	87312082P
2 x 18	8731808	87318082	87318082P

## LATERAL 90°

SPIGOT X MALE SWIVEL



For use with Push-on Gate Valves

SIZE x RISE	STANDARD PART #	1" SIDE OUTLET	1" SIDE OUTLET PLUGGED
2 x 6	8018506	80185062	80185062P
2 x 12	8018512	80185122	80185122P
2½ x 6	8028506	80285062	80285062P
3 x 7	8038507	80385072	80385072P

## ADAPTER

FEMALE NPT X MALE SWIVEL



SIZE	PART #
1½	875-025-06
2	875-025-08
2½	875-025-10
3	875-025-12

## SPIGOT x MALE NPT ADAPTER



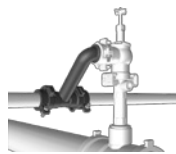
SIZE	PART #
1½ x 6	8740606
2 x 4	8740408
2 x 6	8740608
2 x 8	8740808
2 x 10	8741008
2 x 12	8741208
2½ x 6	8740610
3 x 6	8740612

## SPIGOT x MALE NPT ADAPTER, COMPACT



SIZE	PART #
2 x 1	874030804
2 x 1¼	874030805
2 x 1½	874030806
2 x 2	874030808
2 x 2½	874030810

## SWING ARM KIT



SIZE	PART #
2	881-0101K

## SWIVEL EXTENSION

MALE SWIVEL X FEMALE SWIVEL



RISE	PART #
6	87106
12	87112



THE HARRINGTON CORPORATION  
P.O. Box 10335 • Lynchburg, VA 24506-0335  
Phone: (434) 845-7094 Fax: (434) 845-8562

sales@harcofittings.com  
www.harcofittings.com

PF134-090116