

ACC: PEDESTAL CONTROLLER

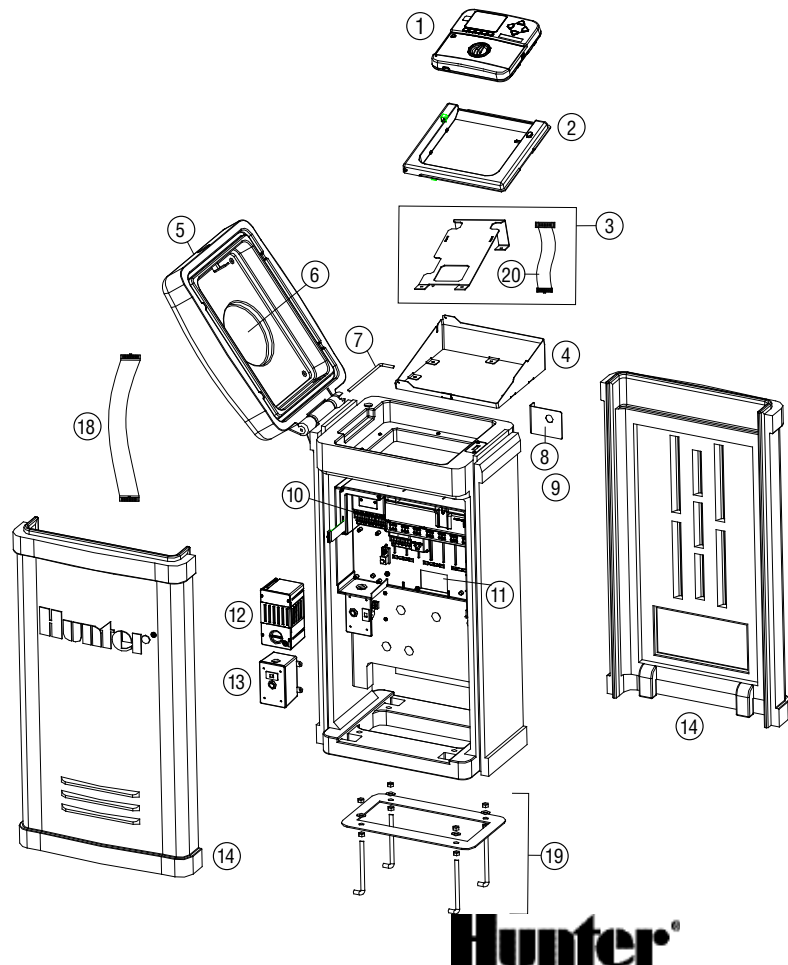
ITEM	DESCRIPTION	CATALOG NO.
1	Front Faceplate Face Pack (ACC)	571500
	Front Face Pack (AGC)	571505
2	Front Face Pack Door Only	620000
3	Plastic Ped Com and Radio Bracket, Including Ribbon Cable	APPBRKT
4	Frame Adapter	145500
5	Lid Including Lock	**553305
6	Lid Antenna for Ped, UHF	IMMSANT2
7	Lid Hinge Pin	558400
8	SmartPort® Bracket	576000
9	SmartPort® Wiring Harness	112210
10	Master Module	572000
11	Decoder Output Module	ADM-99
	6-Station Output Module	*A2M-600
12	Transformer Assembly	587000
13	J Box	145410
14	Pedestal Door with Screen	**553205
15	Lock & Key Set (Not shown)	558000
16	Key Set (2) (Not shown)	122516
17	ACC Ped Inner Panel Cabinet with Transformer	621230
18	Ribbon, Inner Controller to Facepack Door	585105
19	Mounting Template Kit, Includes Template #558600, and Hardware #420200	581700
20	Ribbon, Extension for Com Modules in Pedestals	619900
21	Mounting Template Only	558600
22	Mounting Hardware Only	420200

*Replaces ACM-600 and AGM-600 which are no longer available.
 **Limited availability

Beginning in 2017, plastic pedestals for all controllers changed to a new design. Models affected include the original ICC, I-Core, and ACC controllers. (Note: ACC2, ICC2, and HCC controllers have only been offered with the new design.)

Parts for the new design are not interchangeable with the older design. Before ordering replacement parts, be sure to correctly identify which pedestal you have. While all plastic parts between the two pedestals are different, the easiest way to determine what style you have is to look at the door design:

- Old style: Air vents are located only on the bottom of the door (below the Hunter logo).
- New style: Air vents are located on the top and bottom of the door (above and below the Hunter logo).



ACC: WALL-MOUNT CONTROLLER

ITEM	DESCRIPTION	CATALOG NO.
1	Front Faceplate Face Pack	571500
2	Front Face Pack Door Frame	589000
3	Metal Front Door without Lock	585500
4	Lock & Key Set (Not Shown)	387300
5	Key Set (2) (Not shown)	122516
6	Shell kit, Includes Metal Cabinet, Plastic Backplane, Transformer, and Master Module	* ACCSHELLKIT
7	Door Ribbon Cable (Wall-Mount Only)	585100
8	Transformer Assembly	587000
9	Master Module	572000
10	Small Hole Plug	654400
11	Large Hole Plug	654500
12	6-Station Output Module	**A2M-600
13	SmartPort® Assembly, Including Nut	112200
14	Decoder Output Module	ADM-99

*Replaces part 586005 which is no longer available.
 **Replaces ACM-600 and AGM-600 which are no longer available.

