



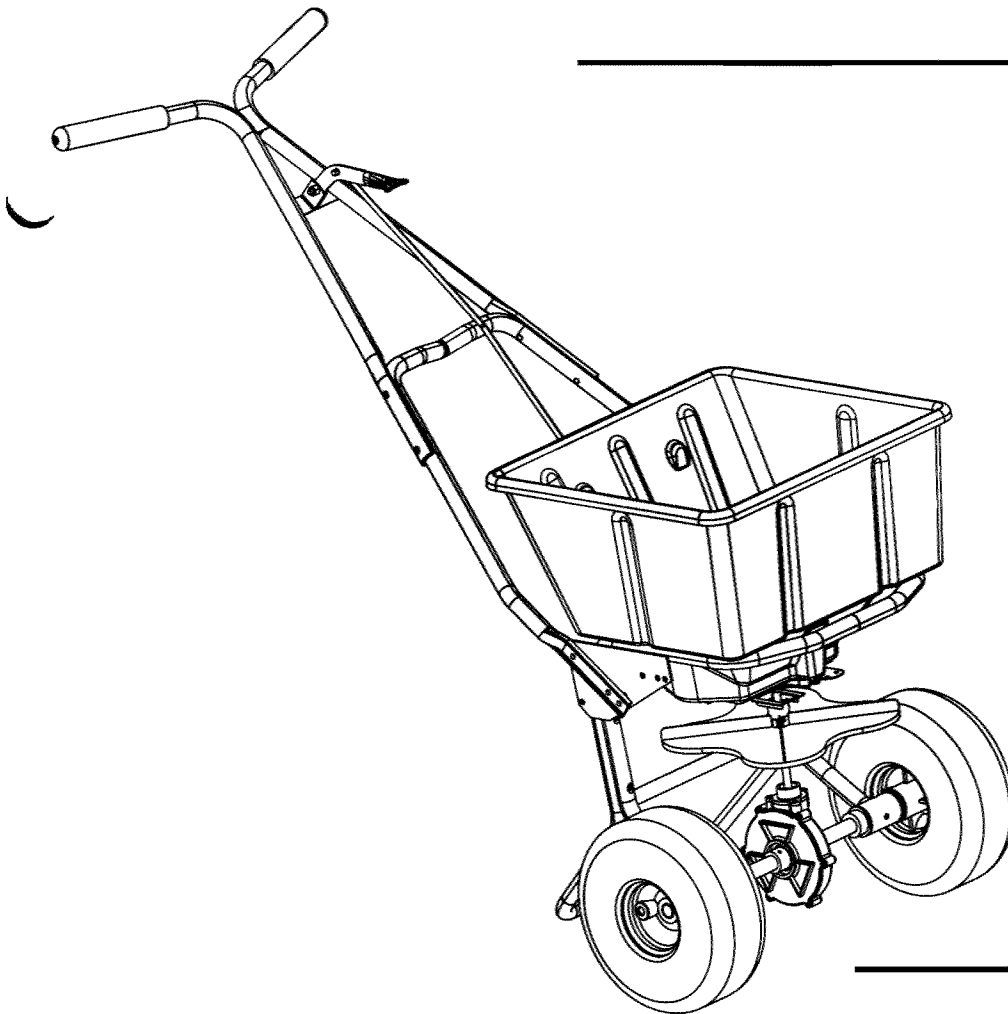
Model #: 092807

Starting Date: 12/2010

4:1 Gearbox

092807/ Carbon Steel

50 LB Rotary Spreader Optional Equipment Calibration

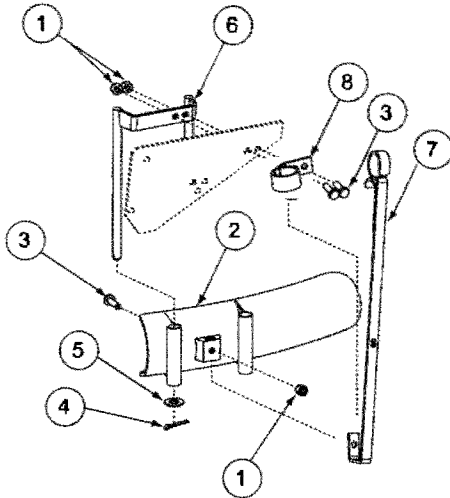


PARTS LIST AND INSTRUCTIONS

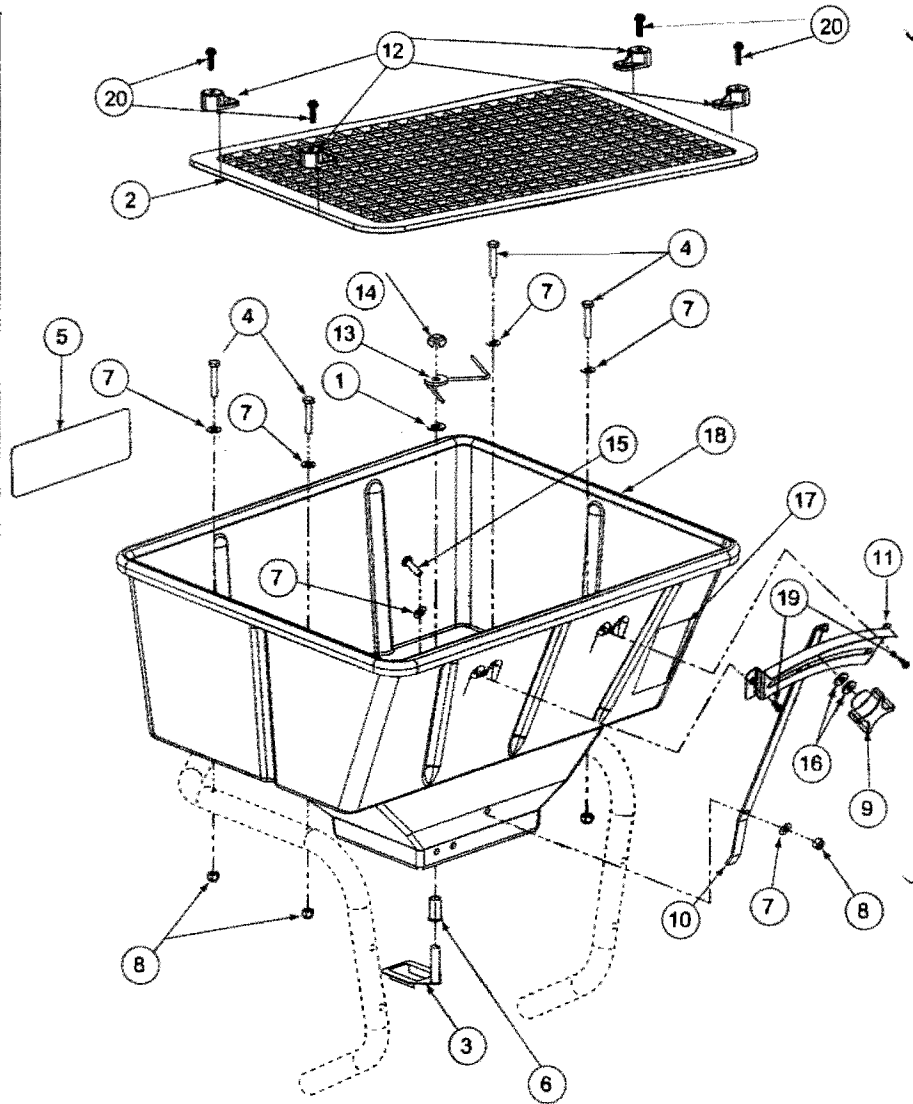
This product may be covered by one or more of the following patents

50LB. Hopper Assembly - Figure 1 and Parts List

The Optional Universal Deflector Item No. 092455

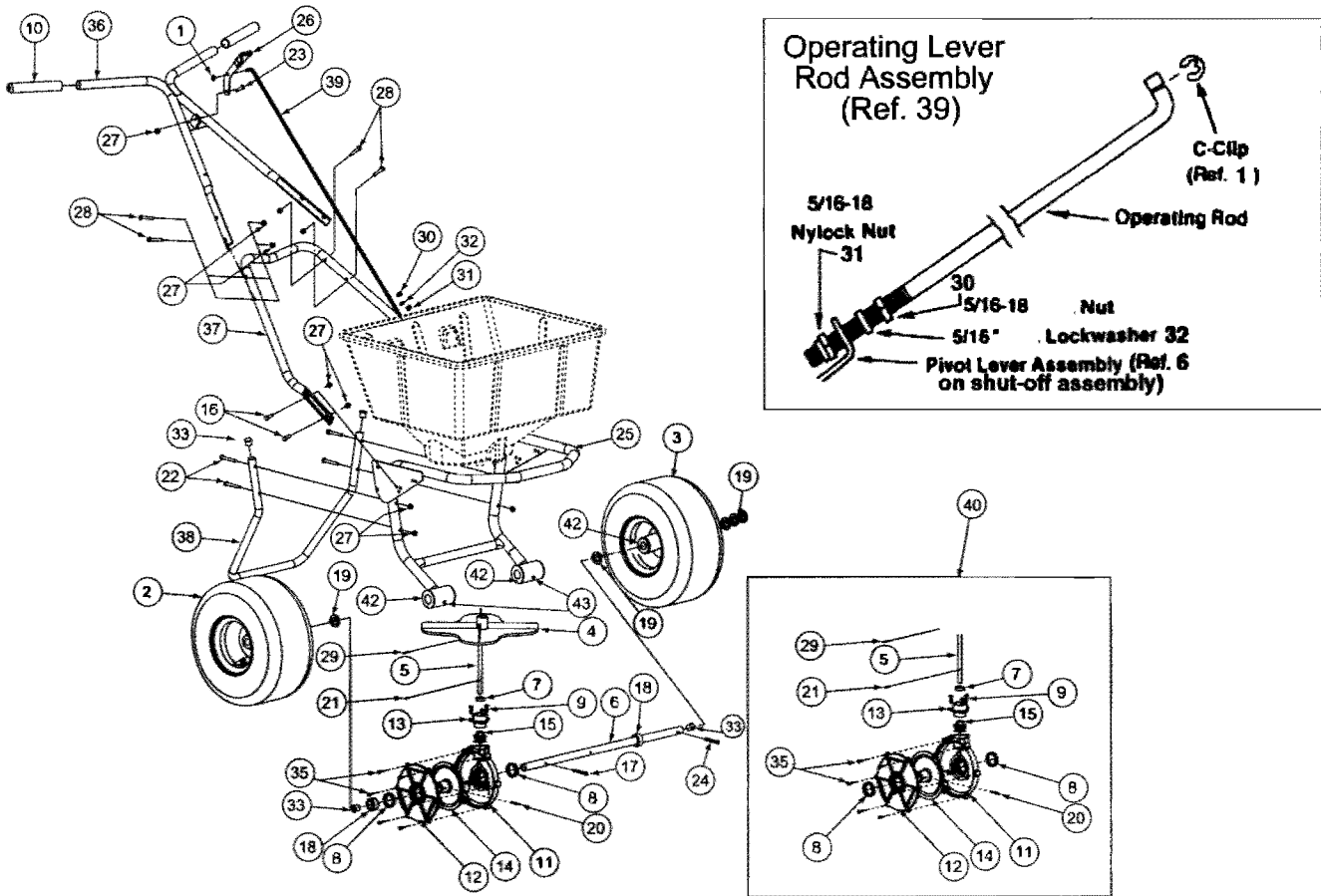


Ref. Part No.	Part No.	Description	Qty.
1	060036	Lock Nut, 1/4-20	3
2	061066	Deflector	1
3	060057	Screw, 1/4-20 x 7/8	3
4	061052	Cotter Pin	1
5	061053	Flat Washer	1
6	706254	Mounting Tube	1
7	1008294	Handle, 50#	1
8	706308	Ring Support	1



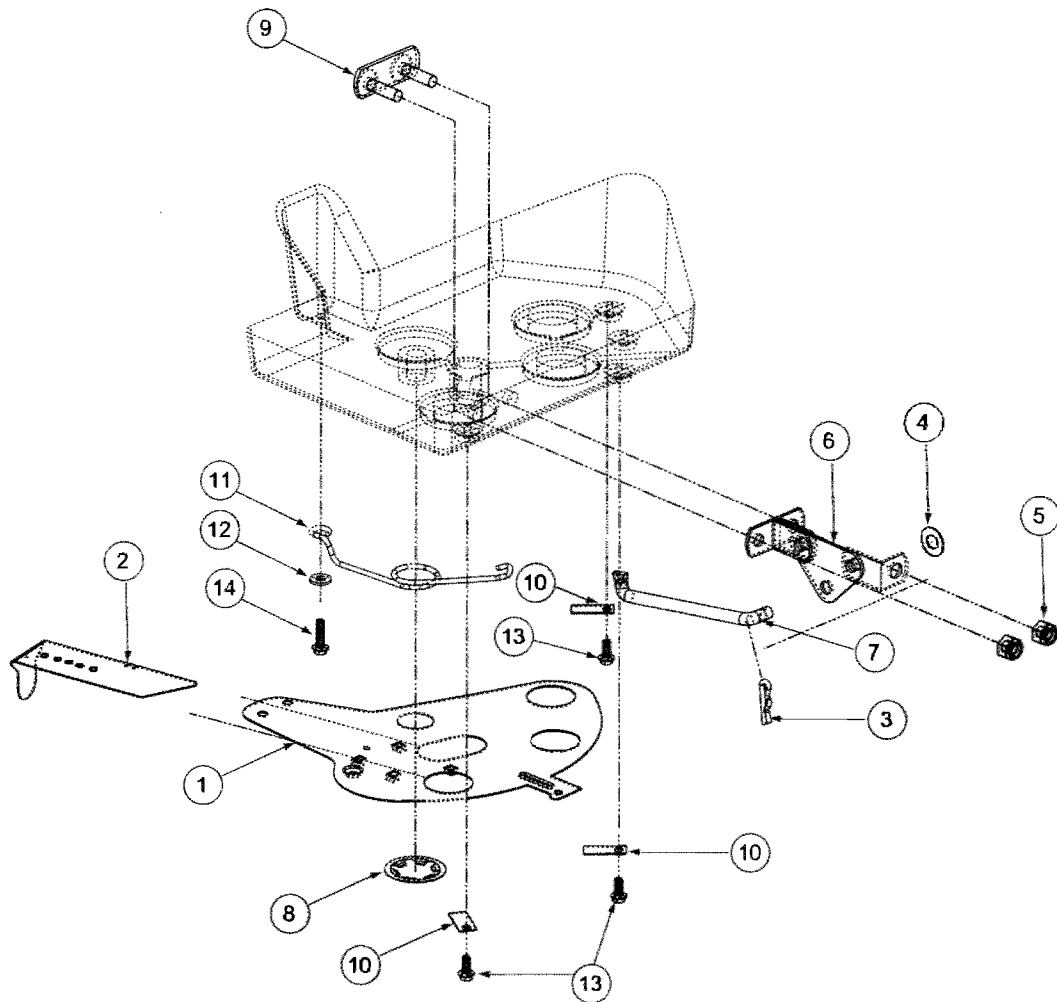
Ref. No.	Part No.	Description	Qty.	Ref. No.	Part No.	Description	Qty.
1	005530	Nylon Flat Washer, 3/8	1	11	092421	Control Plate Rate	1
2	092418	Plastic Screen	1	12	092422	Plastic Screen Clip	4
3	092125	Agitator Assembly	1	13	092126	Agitator Arm Assembly	1
4	031167	Hex Cap Screw, 1/4-20, 1.50	4	14	092127	Retainer Clip "C"	1
5	092419	Lesco Decal	1	15	031168	Screw, 1/4-20 x .75	1
6	060027	Agitator Shaft Bearing	1	16	082452	Nylon Flat Washer, 1/4	2
7	060033	Flat Washer, 1/4"	6	17	092423	4" x 2" Vinyl Decal	1
8	060036	Nylock Nut, 1/4-20	5	18	092424	Hopper Green, 50#	1
9	060043	Control Rate Knob	1	19	705631	Index Washer Hex Screw #8 x 3/8	2
10	092420	Control Arm Rate	1	20	092426	Phillips Head Screw #8 x 1/2	4

50LB Frame Assembly - Figure 2 and Parts List



Ref. No.	Part No.	Description	Qty.	Ref. No.	Part No.	Description	Qty.
1	010171	Retainer Clip "C"	1	24	092440	Cotter Pin, 3/16 x 1	1
2	092427	Drive Wheel	1	25	092441	Frame Assembly	1
3	092428	Idler Wheel	1	26	092442	Operating Lever, Rubber Handle Assembly	1
4	030317	Impeller	1	27	092443	Lock Nut Nylon Insert, 1/4-20	13
5	092429	Impeller Shaft	1	28	092444	Hex Cap Screw, 1/4-20 x 1.5	4
6	092430	Axle	1	29	060069	Roller Pin, 1/8 x 1	1
7	030384	Gearset Oil Seal	1	30	092445	Hex Lock Nut, 5/16	1
8	030385	Gearset Seal	2	31	092447	Nut, Nylon Insert, 5/16-18	1
9	030415	Washer Hex Screw, #10 x 5/8	3	32	092448	Lock Washer, 5/16	1
10	030446	Handle Grip	2	33	020913	Plastic Plug	4
11	092432	Gearset Housing	1	34	-		
12	092433	Gearset Cover	1	35	700129	Washer Hex Screw, #6 x 5/8	6
13	030593	Gearset Cap	1	36	092449	Handle Assembly	1
14	092434	Gearset Bevel Gear	1	37	092450	Lower Handle	1
15	092435	Gearset Pinion Gear	1	38	092451	Support Leg	1
16	093500	Hex Cap Screw, 1/4-20 x .75 BZ	4	39	092452	Operating lever, Rod	1
17	092436	Cotter Pin, 3/16 x 1-1/2	1	40	092453	Kit, GearSet	1
18	092437	Collar Axle w/set screw Assembly	2	41	092460	Hardware Kit (Not Shown)	1
19	092438	Flat Washer, .06, .776, 1.25	5	42	018963	Plastic Axle Bearing	6
20	060019	Roller Pin, 5/32 x 1.25	1	43	060078	Grease Fitting, 1/4-28 X 3/16	2
21	060022	Roller Pin, 1/8 x 11/16	1				
22	093501	Hex Cap Screw, 1/4-20 x 2, BZ	4				
23	092439	Boit, 1/4-20 x .75 Thin Head BZ	1				

Shut-Off Assembly - Figure 3 and Parts List

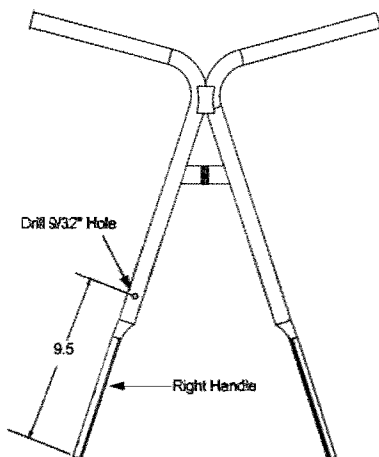


Ref. No.	Part No.	Description	Qty.	Ref. No.	Part No.	Description	Qty.
1	706825	Shut-off Plate	1	8	704186	Spring Clip	1
2	020492	Slide Lever	1	9	704539	Two Hole Weldment Plate	1
3	709945	Cotter Pin, 3/32 x 1/2 Lg	1	10	704955	Plate Shut-off Clip	3
4	060033	Flat Washer, 1/4"	1	11	704956	Plate Shut-off Spring	1
5	060036	Nylock Nut, 1/4-20	2	12	705630	Flat Washer	1
6	060060	Pivot Lever Assembly	1	13	705631	Index Washer Hex Screw, 8 x 3/8	3
7	060061	Pivot Lever Rod	1	14	705632	Index Washer Hex Screw, 8 x 5/8	1

The Optional Remote Deflector Kit - Part No. 092462

Mounting Instructions

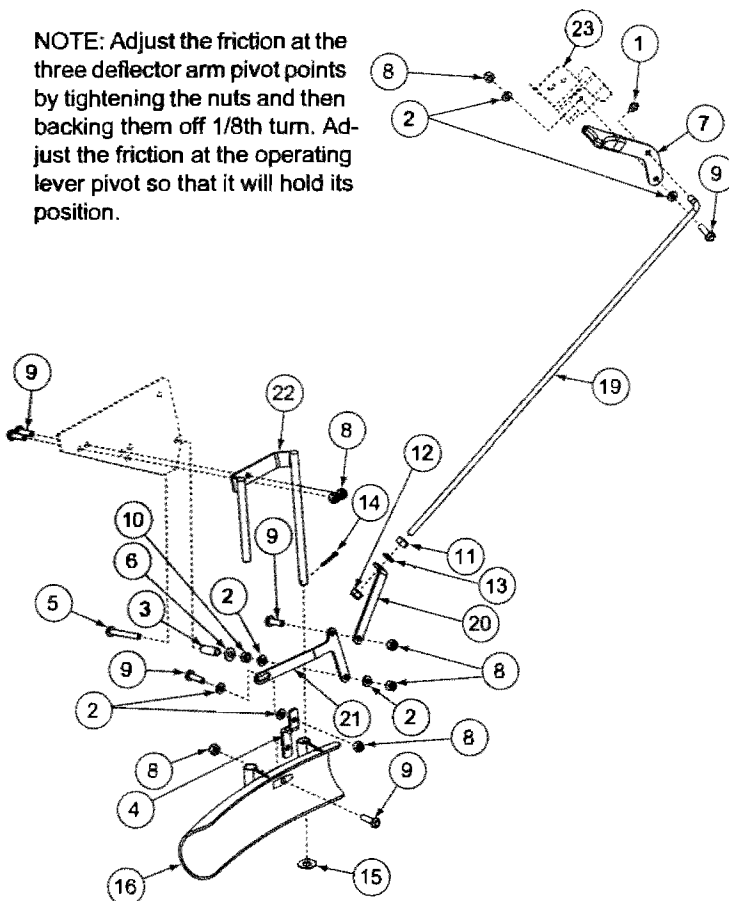
1. Install the deflector tube mount (ref. 22) onto the right side of the spreader frame (from the inside) as shown.
2. Install the tube bracket mount (ref. 21) to the right side of the frame using appropriate hardware as shown.
 - a. Install 1/4-20 x 2 (ref. 5) through frame plate using spacer (ref. 3), washer (ref. 6), and tighten using 1/4-20 nut (ref. 10).
 - b. Install nylon washer (ref. 2), bracket mount (ref.21) nylon washer (ref 2) and tighten nut (ref. 8) until bracket mount (ref. 21) easily turns.
3. Install offset bracket (ref. 4) onto deflector (ref.16)
 - a. Slide Long end of offset bracket into slot on deflector (ref.16)
 - b. Install 1/4-20 screw (ref. 9) and tighten sub assembly using 1/4-20 nut (ref. 8)



Ref. No.	Part No.	Description	Qty.
1	010171	Retainer "C" Clip	1
2	082452	Nylon Washer, 1/4	6
3	082454	Deflector Arm Mount Spacer	1
4	082455	Offset Bracket Deflector	1
5	060029	Machine Screw, 1/4-20x2	2
6	060033	Flat Washer, 1/4"	1
7	060034	Operating Lever and Rubber	1
8	060036	Lock Nut, Nylon Insert, 1/4	8
9	060057	Machine Screw Pan Head, 1/4-20x7/8	6
10	060059	Hex Nut, 1/4-20	1
11	060071	Hex Lock Nut, 5/16-18	1
12	060072	Nut, Nylon Insert, 5/16-18	1
13	060073	Lock Washer, 5/16	1
14	061052	Cotter Pin, 1/8 x 1	1
15	061053	Flat Washer, 3/8	1
16	061066	Deflector Tube, Plastic Only	1
17	-	-	-
18	-	-	-
19	092458	Deflector Actuator Rod	1
20	706252	Lever Rod Deflector Bracket	1
21	706253	Tube Bracket Mount, Lever, Deflector	1
22	092456	Deflector Tube Mount	1
23	030418	Remote Bracket	1

NOTE: Adjust the friction at the three deflector arm pivot points by tightening the nuts and then backing them off 1/8th turn. Adjust the friction at the operating lever pivot so that it will hold its position.

4. Slide deflector subassembly onto deflector tube mount (ref. 22)
 - a. Install washer (ref. 15) onto deflector tube mount and lock in place using cotter pin (ref. 14)
5. Fasten offset bracket (ref. 4) to bracket mount (ref. 21) using appropriate hardware.
 - a. Install 1/4-20 screw (ref. 9) and tighten sub assembly using 1/4-20 nut (ref. 8) until deflector (ref. 16) moves easily on deflector tube mount (ref. 22)
6. Install lever rod bracket (ref. 20) to bracket mount (ref. 21).
 - a. Install, making sure small flange of lever rod bracket faces to the inside of the spreader, using appropriate hardware.
7. Install remote bracket (ref. 23) onto right side of upper handle.
 - a. Install using one 1/4-20 (ref. 5) and one 1/4-20 nut (ref. 8)
8. Install operating lever (ref. 7) using appropriate hardware
9. Install rod (ref. 19) into operating lever (ref. 7) and into lever rod bracket (ref. 20)
10. Slide deflector up toward the bottom of the hopper as far as it will go.
11. Place the operating lever (ref. 7) i the "OFF" position and adjust the lock nut (ref. 11) so it is down against the lever rod bracket (ref. 20).
 - a. Tighten nylock nut (ref. 12) up against the underside of the lever rod bracket (ref. 20)



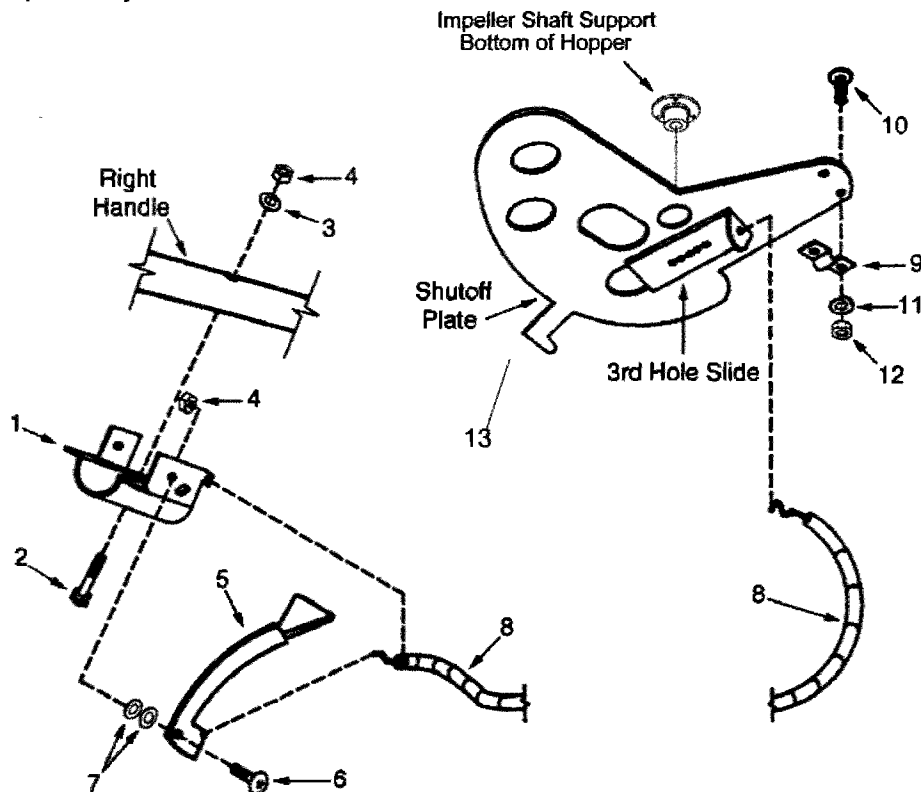
The Optional Remote 3rd Hole Slide - Lesco No. 082670

Mounting Instructions

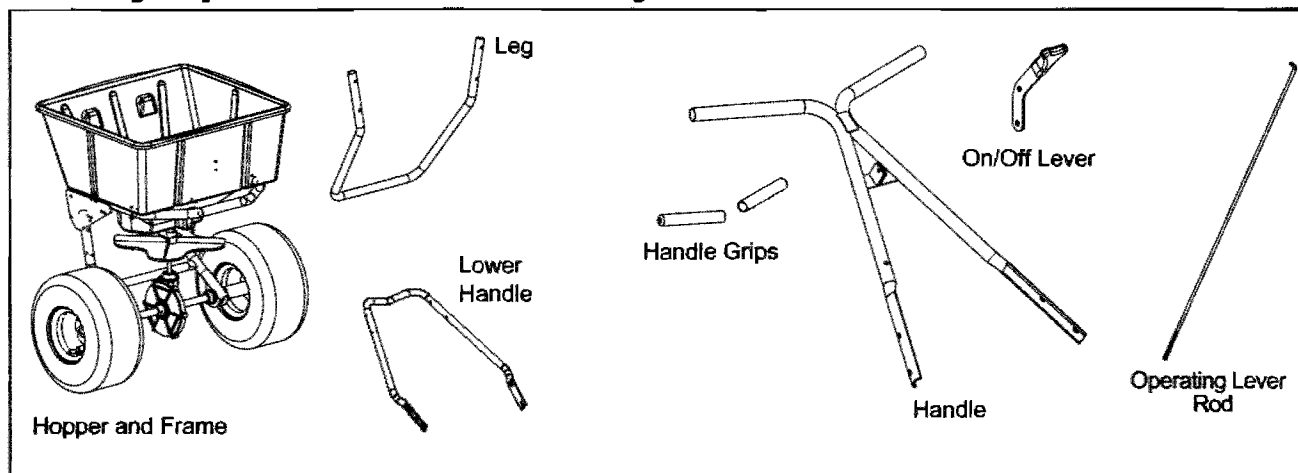
1. Mount the dual lever bracket (Ref. 1) to the right handle using one machine screw (Ref. 2), one flat washer (Ref. 3) and one hex nut (Ref. 4) as shown below.
2. Mount the dual remote lever (Ref. 5) to the dual lever bracket (Ref. 1) using one machine screw (Ref. 6), two nylon flat washers (Ref. 7) and one hex nut (Ref. 4) as shown below.
3. Slide the control cable (Ref. 8) through the hole in the dual remote lever and the cable housing into the fork of the dual lever bracket and pinch the forks around the cable groove.
4. With the dual remote lever pushed all the way forward attach the other end of the control cable to the hole in the 3rd hole slide. Push the slide fully closed and mount the cable housing to the shut off plate using the cable clamp (Ref. 9), two machine screws (Ref. 10), two lock washers (Ref. 11) and two hex nuts (Ref. 12) as shown below.
5. Work the dual remote lever back and forth to be sure that you are getting the full open and full closed positions of the 3rd hole slide. If not, loosen the cable clamp and adjust the cable.

Parts List

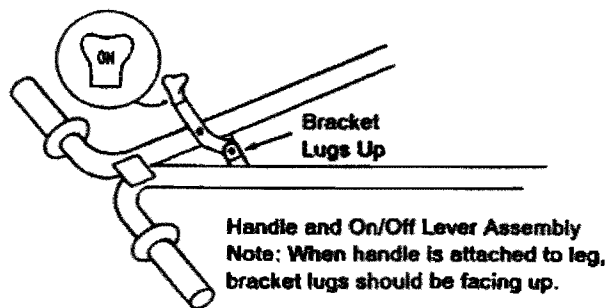
Ref. No.	Part No.	Description	Qty.
1	030418	Bracket, Dual Lever	1
2	060047	Machine Screw	1
3	060033	Flat Washer 1/4	1
4	060036	Hex Nut, 1/4-20 Nylock	2
5	030416	Lever, Dual Remote	1
6	060057	Machine Screw	1
7	082452	Flat Washer, 1/4 Nylon	2
8	030450	Control Cable	1
9	020511	Cable Clamp	1
10	031686	Machine Screw	2
11	060083	Lock Washer #8	2
12	060056	Hex Nut, #8-32	2
13	060054	Shut off Plate Assembly	1
	-020491	Remote Shut off Plate	1
	-020492	Slide Lever	1



Rotary Spreaders - Assembly Instructions



1. Remove the spreader components from the carton. You should find all of the parts shown above plus the Hardware Package. The Hardware Package contains:
 - 1 C-Clip
 - 1 Calibration Gauge (ODD)
 - 1 Calibration Gauge (EVEN)
 - 1 Calibration Gauge Chain
 - 1 Bolt, 1/4 x 20, 3/4
 - 1 Hex Nut, 5/16-18
 - 1 Hex Nut, 5/16-18, Nylock
 - 1 Lock Washer, 5/16
 - 4 Hex Head Machine Screw, 1/4-20 x 2"
 - 4 Machine Screw, 1/4-20 x 1-1/2"
 - 4 Hex Screw, 1/4-20 x 3/4"
 - 13 Nylock Nut, 1/4-20
2. Install the leg to the hopper and frame assembly by fastening with 4 hex head machine screws, 1/4-20 x 2 and 4 locknuts, 1/4-20.
3. Attach the lower handle to the frame (with the "V" section of the closed section of the handle facing down) using 4 hex head screws, 1/4-20 x 3/4, and 4 nylock nuts, 1/4-20.
4. Attach the upper handle to the lower handle (with the on/off bracket lugs facing up) using 4 machine screws, 1/4-20 x 1 1/2 and 4 nylock nuts, 1/4-20.
5. Fasten the on/off lever to the handle's bracket lugs using the bolt 1/4-20, 3/4 in the bottom hole of the lever. Insert the screw from left to right, facing the rear of the hopper. Lock with the 1 nylon nut, 1/4-20.
6. Attach the operating lever rod to the pivot lever assembly at the bottom-rear of the hopper. First screw the 5/16 hex nut on the threaded end of the operating lever rod, add the 5/16 lock washer, then insert the rod through the hole in the pivot lever assembly and install the 5/16 locknut.
7. Attach the operating lever rod to the on/off lever by inserting the bent end of the rod into the top hole of the lever from left to right and install the C-clip.
8. Pull the on/off lever to the off position and move the shutoff plate assembly to the fully closed position by adjusting the 5/16 hex nuts on the bottom of the operating lever rod.
9. Place the handle grips on the handles.
10. Grease the axle bearings and the gear support.
11. Read the Lesco Spreader Calibration instructions packed with your spreader and calibrate following the instructions.



4. Attach the upper handle to the lower handle (with the on/off bracket lugs facing up) using 4 machine

Spreader Calibration

Spreader calibration is simplified using the LESCO Professional Granular Applicator Calibration Kit LESCO No. 009952.

Two items must be considered when calibrating a spreader. The first is the distribution pattern of the spreader. That is, the pattern the product makes as it strikes the ground after being thrown out by the spreader's impeller. There are many factors which affect the distribution pattern of a rotary spreader and some of them relate directly to the product. For this reason, we recommend that the spreader be calibrated separately for every product to be applied. Spreader calibration should be checked at least once a month, or more often when the spreader is used frequently.

The second item is the product application rate, that is the amount of product applied per thousand square feet. This is important because over-application can be costly and may cause plant injury, while under-application will reduce the effectiveness of the product.

TO CALIBRATE A SPREADER, FOLLOW THESE STEPS:

Check the spreader discharge holes with the operating lever in the closed position. If the discharge holes are not fully closed, thread the upper jam nut on the operating lever rod further up the rod. Tighten the lower locknut and recheck. Repeat this procedure until the holes are fully closed.

TO ACHIEVE A UNIFORM DISTRIBUTION PATTERN:

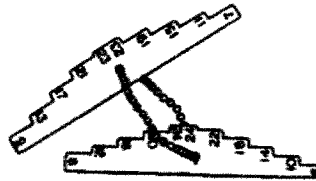
The accurate method for checking pattern uniformity is to lay out shallow boxes or pans in a row on a line perpendicular to the direction of spreader travel. Eleven boxes or pans, two inches high placed on one-foot centers will provide accurate calibration. To conduct the test, begin with the pattern slide completely open and set the rate control arm at the suggested approximate setting. Make three passes over the boxes, pushing the spreader in the same direction each time. The product caught in each box is then evaluated to determine the distribution pattern. Weighing the product in each box is the most accurate, but a simpler method is to pour the contents of each box into a separate small vial or bottle. Then set the eleven vials or bottles side-by-side in order. This makes the pattern variation quite visible.

To reduce the amount of discharge to the right side (operator's right) the pattern slide should be partially closed and the test repeated until the distribution pattern is uniform.

TO ACHIEVE THE CORRECT PRODUCT APPLICATION RATE:

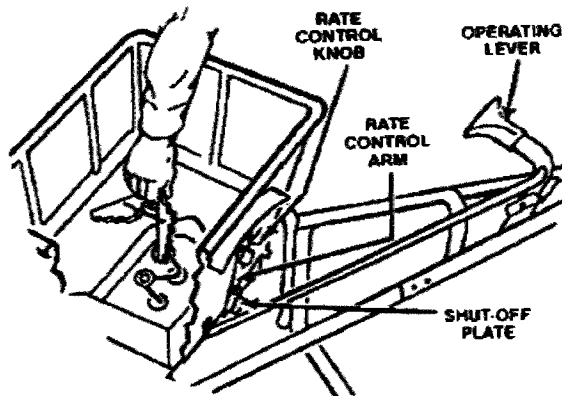
The approximate spreader settings printed on any product label should only be used as the initial setting for calibration. Set the rate control arm at this approximate setting. Using the collection boxes or pans, make a single pass over them to determine the effective pattern width. The effective pattern width is twice (2x) the distance to the point where the rate drops to one-half the average rate at the center. Example: If the product in the vials from the center boxes averages two inches in depth, count out to the vial which has one inch of product. If this is the fifth vial from the center and the boxes were on one-foot centers, the effective pattern width is ten feet (2 x 5 ft.).

Knowing the effective pattern width (ten feet), measure out a lineal distance to equal 1,000 sq. ft. (10 ft. x 100 ft. = 1,000 sq. ft.). Weigh 20 lbs. of product and place it in the spreader hopper and spread it over the distance necessary to equal 1,000 sq. ft. (100 ft.). Then weigh the product left in the hopper and subtract this amount from the amount with which you started. The result is the application rate for this product in pounds per 1,000 sq. ft. that your spreader is currently adjusted to disperse. Adjust the rate control arm up or down as needed and repeat this procedure until the correct application rate is achieved.



TO USE THE LESCO CALIBRATION GAUGES:

The LESCO Calibration Gauges provide a series of "steps", numbered in 1/32-inch increments, that will allow you to "fine-tune" the LESCO spreader. Once you have calibrated your LESCO rotary spreader for the product chosen, open the operating lever and insert the calibration gauges until you determine which step fits tightly into one of the open holes in the hopper bottom. Record that step number for future reference when using that product. You may choose to set other LESCO rotary spreaders for application of the same product by adjusting the shut off plate to that calibration gauge step. This will provide consistent settings for all of your LESCO spreaders. To recalibrate your LESCO rotary spreader after a period of use, adjust the rate control arm to the "24" position. Open the operating lever and insert the even-numbered LESCO Calibration Gauge into one of the open holes in the hopper bottom. Close the operating lever and let the shut off plate on the underside of the hopper make contact with the number 10 step on the LESCO Calibration Gauge. Move the rate control arm back toward the "6" position until the bottom of the arm makes contact with the shut off plate. If your spreader is properly adjusted, the top of the rate control arm should be at setting "10". To correct variances, remove the rate control arm, place the bottom of the arm (up to the bolt hole) in a vise, and bend either to the right or the left.



SPREADER TIPS:

1. Always push the spreader; do not pull.
2. Push the spreader at a consistent speed (approximately 3 m.p.h. is recommended).
3. Always close the operating lever before filling the hopper.
4. Be sure the screen is in place to prevent lumps or paper scraps from plugging the holes in the hopper bottom.
5. Always start walking forward before opening the operating lever; close the operating lever before forward motion is stopped.
6. Hold the handle at a height that will keep the impeller level.
7. Empty the spreader after each use. Wash the spreader thoroughly and allow it to dry. Keep the impeller clean.
8. Lubricate all moving parts. Apply grease to the two grease fittings in the axle supports.



ROTARY SPREADER ONE-YEAR LIMITED WARRANTY

1. What Is Covered By This Warranty. LESCO, Inc. warrants, to the original purchaser only, that the Equipment that is the subject of this sale (a) conforms to LESCO's published specifications, and (b) is free from defects under normal service, for a one-year period from the original date of delivery. This warranty does not include damage to the Equipment resulting from occurrences set forth hereinafter in (2). If the purchaser discovers within this period a failure of the Equipment to conform to specifications or a defect in material or workmanship, they must promptly notify LESCO in writing of such claim. Any claims under this warranty must be received in writing by LESCO within 13 months from the date of original delivery. Within a reasonable time after such notification, LESCO will replace any defective component of the Equipment or part thereof. LESCO will provide the components or parts at LESCO's expense. Labor is to be performed by the original purchaser. (LESCO will provide purchaser a labor allowance at LESCO's current flat rate schedule.) LESCO will make the final determination as to the amount of hours to be reimbursed to the purchaser for labor. All defective parts shall be returned to LESCO if requested. These remedies are the original purchaser's **exclusive** remedies for breach of warranty.

2. What Is Not Covered By This Warranty. LESCO does not warrant (a) any product, components or parts not manufactured by LESCO; (b) defects caused by failure to provide a suitable installation environment for the Equipment; (c) damage caused by use of the Equipment for purposes other than those for which it was designed; (d) damage caused by accident or disasters such as fire, flood, wind and lightning; (e) damage caused by unauthorized attachments or modification; or (f) any other abuse or misuse of the Equipment.

3. EXCLUSIVE WARRANTY. THE FOREGOING WARRANTY IS EXCLUSIVE AND IN LIEU OF ALL OTHER WARRANTIES OR REMEDIES, WHETHER WRITTEN, ORAL OR IMPLIED. ANY AND ALL IMPLIED WARRANTIES OF MERCHANTABILITY, FITNESS FOR A PARTICULAR PURPOSE, COURSE OF DEALING OR USAGE OF TRADE ARE HEREBY EXPRESSLY DISCLAIMED AND EXCLUDED.

4. LIMITATION OF REMEDIES. UNDER NO CIRCUMSTANCES, EXCEPT TO THE EXTENT PROHIBITED BY APPLICABLE LAW, SHALL LESCO BE LIABLE FOR ANY LOSS OR DAMAGE, DIRECT OR INDIRECT, SPECIAL, INCIDENTAL OR CONSEQUENTIAL ARISING OUT OF THE USE OF OR INABILITY TO USE THIS EQUIPMENT INCLUDING BUT NOT LIMITED TO ANY CLAIM FOR LOSS OF PROFITS, LOSS OF SAVINGS OR REVENUE, LOSS OF USE OF THE EQUIPMENT OR ANY ASSOCIATED EQUIPMENT, FACILITIES OR SERVICE, DOWNTIME, THE CLAIMS OR COSTS OF THIRD PARTIES INCLUDING CUSTOMERS, AND INJURY TO PROPERTY. Some states do not allow limitations on how long an implied warranty lasts or the exclusion or limitation of incidental or consequential damages, so the above limitations or exclusion may not apply to you. This warranty gives you specific legal rights, and you may also have other rights which vary from state to state.

5. Time Limit For Claims. Any claim for breach of warranty or claims under this warranty must be received by LESCO within 13 months following delivery of the equipment.

6. No Other Warranties. Unless modified in writing signed by both parties, this agreement is understood to be the complete and exclusive agreement between the parties, **superseding** all prior agreements, oral or written, and all other communications between the parties relating to the subject matter of this agreement. No employee or representative of LESCO or any other party is authorized to make any other Warranty or to assume any other liability in connection with the sale of its Equipment.

7. Future Changes. LESCO reserves the right to reserve, change or modify the construction and design of its Equipment or any component part or parts thereof without incurring the obligations to make such changes or modifications in present equipment.

8. Allocation Of Risks. This agreement allocates the risks of equipment failure between LESCO and the original purchaser. This allocation is recognized by both parties and is reflected in the price of the goods. **THE PURCHASER ACKNOWLEDGES THAT IT HAS READ THIS AGREEMENT, UNDERSTANDS IT, AND IS BOUND BY ITS TERMS.**

9. How To Contact LESCO. If during the warranty period, the LESCO Rotary Spreader does not function properly due to defect, simply contact the LESCO Service Department:

LESCO, Inc.
Technical Service Department
1301 East 9th Street Suite 1300
Cleveland, OH 44114-1849

(216) 706-9250 Cleveland
(800) 321-5325 Toll Free

HOW TO ORDER PARTS

Contact your LESCO Salesperson, OR phone us (use the numbers above), OR write us (use the address above). We will need the following information:

1. Your account number if available.
2. Your name and address and the address where you want the parts to be shipped.
3. The Model/Serial No. of the equipment.
4. The LESCO Part No. and the quantity desired. (Please do not use reference numbers.)

NOTE: Inspect all shipments on receipt for damage or missing parts. File a claim with the carrier before accepting a damaged shipment.

LESCO, Inc., 1301 East 9th Street Suite 1300, Cleveland, Ohio 44114-1849
Toll Free (800) 321-5325 • In the Cleveland Area (216) 706-9250