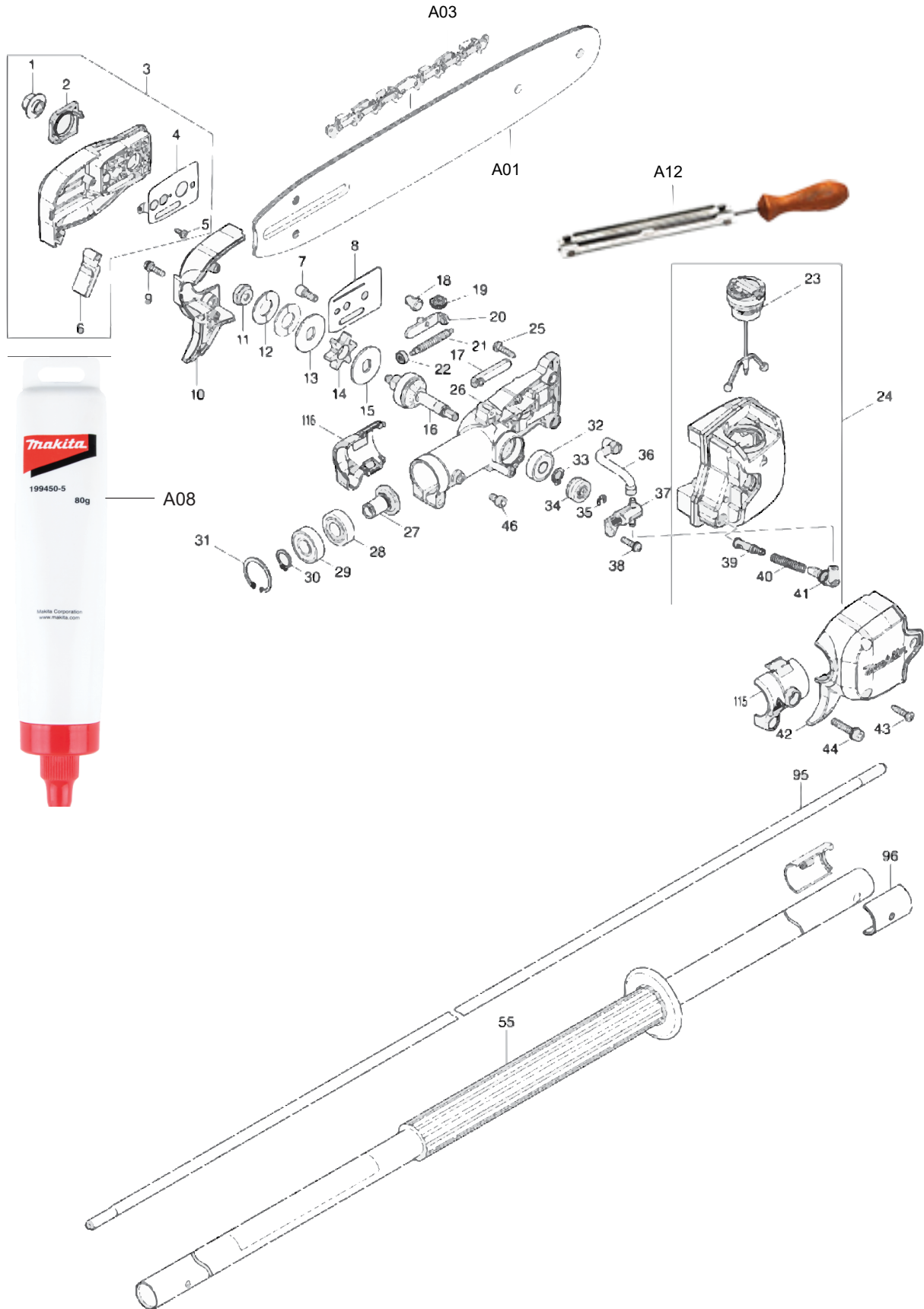




GAU01

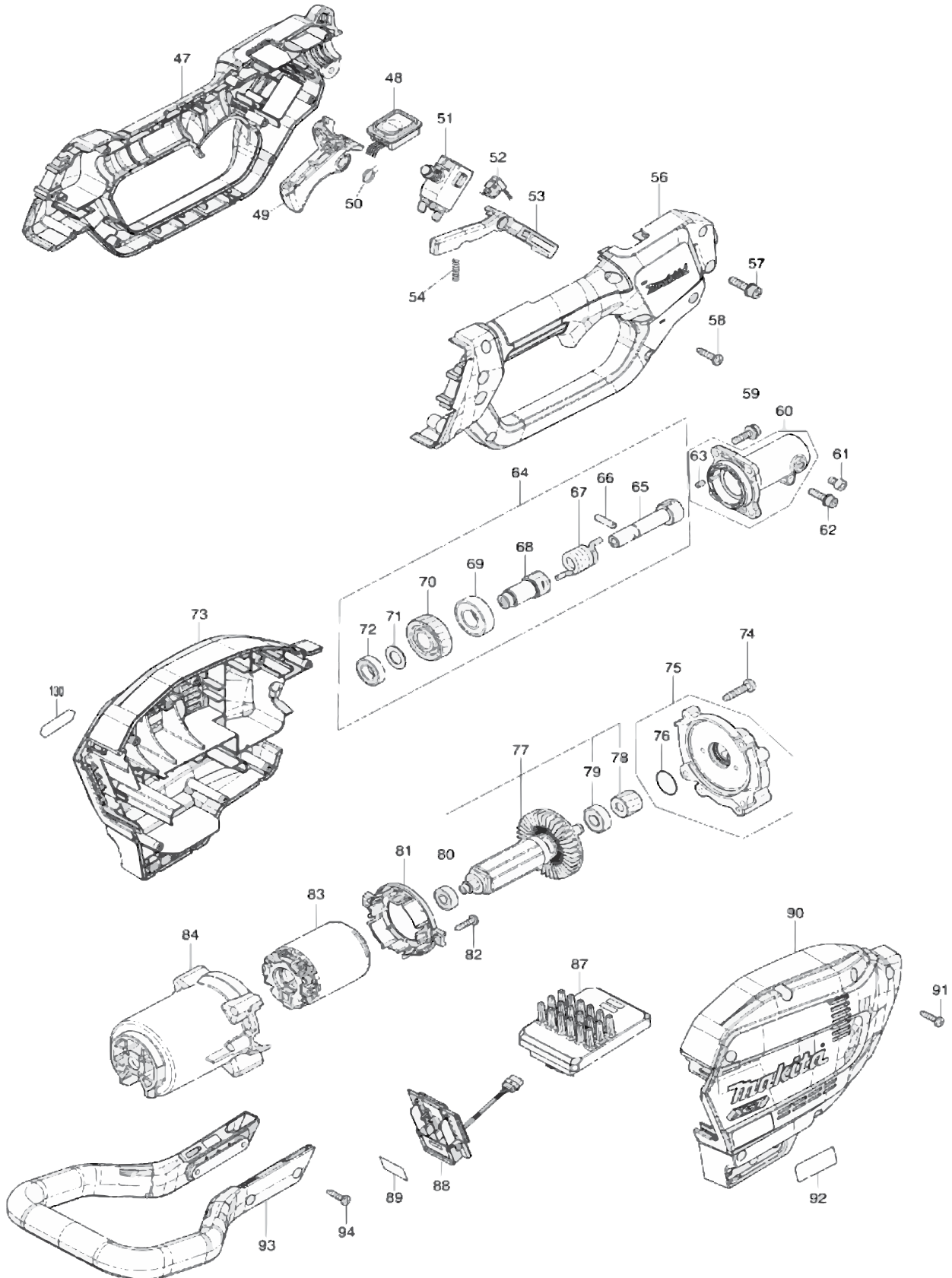


Products with multiple versions are listed in subsiding order with the newest version on top not indented.

Section	Fig. No.	Part No.	Description	GAU01	Tech Bulletin	Notes
1	1	162494-8	FLANGE NUT COMPLETE	1		
1	2	412638-3	NUT COVER	1		
1	3	136373-6	SPROCKET COVER ASSY	1		INC. 1,2,4-6
1	4	347707-0	GUIDE PLATE L	1		
1	5	265954-0	TAPPING SCREW BIND PT3X8	1		
1	6	422599-9	CHIP GUIDE	1		
1	7	266905-6	H.L. SOCKET HEAD BOLT M5X12	1		
1	8	347708-8	GUIDE PLATE R	1		
1	9	911128-8	P.H.SCREW M4X16 WITH WR	2		
1	10	183R95-7	GEAR CASE HOUSING SET	1		INC. 42
1	11	252291-1	HEX. NUT M6	1		
1	12	232626-2	CORNED DISK SPRING 14	2		
1	13	347705-4	LOCK WASHER 12	1		
1	14	226992-7	SPROCKET 6	1		
1	15	347705-4	LOCK WASHER 12	1		
1	16	140V32-8	SPINDLE COMPLETE	1		
1	17	422602-6	GROMET	1		
1	18	227620-7	DRIVE GEAR 14	1		
1	19	227634-6	STRAIGHT BEVEL GEAR 14	1		
1	20	347706-2	TENSION SLIDE	1		
1	21	327606-2	ADJUST SCREW	1		
1	22	227496-2	STRAIGHT BEVEL GEAR 14	1		
1	23	126832-8	TANK CAP ASSEMBLY	1		
1		213894-6	O-RING 25	1		INC WITH 23, NOT PICTURED
1	24	136372-8	OIL TANK ASSEMBLY	1		INC. 23,39-41
1	25	266326-2	TAPPING SCREW 4X18	3		
1	26	136301-1	GEAR CASE ASSEMBLY	1		
1		213437-4	O RING 28	1		
1	27	226995-1	SPIRAL BEVEL GEAR 18	1		
1	28	211131-2	BALL BEARING 6001DDW	1		
1	29	211148-5	BALL BEARING 6001ZZ	1		
1	30	961052-5	RETAINING RING S-12	1		
1	31	962106-1	RETAINING RING R-28	1		
1	32	211491-2	BALL BEARING 609DDW	1		

Products with multiple versions are listed in subsiding order with the newest version on top not indented.

Section	Fig. No.	Part No.	Description	GAU01	Tech Bulletin	Notes
1	33	961005-4	RETAINING RING S-9	1		
1	34	226884-0	WORM GEAR	1		
1	35	961011-9	STOP RING E-4	1		
1	36	422600-0	OIL TUBE 3-70	1		
1	37	140U04-7	OIL PUMP COMPLETE	1		
1	38	911128-8	P.H.SCREW M4X16 WITH WR	1		
1	39	452666-6	NIPPLE	1		
1	40	231975-4	SPRING	1		
1	41	422601-8	OIL TUBE 3-14	1		
1	42	183R95-7	GEAR CASE HOUSING SET	1		INC. 10
1	43	266326-2	TAPPING SCREW 4X18	3		
1	44	922243-3	HEX. SOCKET HEAD BOLT M5X25	1		
1	46	922202-7	HEX. SOCKET HEAD BOLT M5X8	1		
1	55	140V08-5	PIPE 24 COMPLETE B US	1		
1	95	327608-8	SHAFT	1		
1	96	312A03-1	SLEEVE 28	2		
1	115	183R91-5	GEAR CASE COVER SET	1		INC. 116
1	116	183R91-5	GEAR CASE COVER SET	1		INC. 115
1	A01	E-12734	GUIDE BAR 10 SET	1		
1	A02	452093-7	GUIDE BAR CASE	1		NOT PICTURED
1	A03	E-12740	SAW CHAIN SET	1		
1	A04	782023-7	WRENCH 13-16	1		NOT PICTURED
1	A12	198457-8	FILE AND GUIDE	1		5/32"



Products with multiple versions are listed in subsiding order with the newest version on top not indented.

Section	Fig. No.	Part No.	Description	GAU01	Tech Bulletin	Notes
2	47	183U44-2	GRIP SET	1		INC. 56
2		931202-6	HEX. NUT M5	1		NOT PICTURED
2	48	141H14-9	SWITCH CIRCUIT COMPLETE	1		
2		810D46-0	SWITCH LABEL	1		
2	49	459758-2	SWITCH LEVER	1		
2	50	233622-3	TORSION SPRING 12	1		
2	51	650015-3	SWITCH C3JR-4B-PAND3	1		
2	52	632G61-0	SWITCH UNIT	1		
2	53	459759-0	LOCK OFF LEVER	1		
2	54	233101-1	COMPRESSION SPRING 4	1		
2	56	183U44-2	GRIP SET	1		INC. 47
2		931202-6	HEX. NUT M5	1		NOT PICTURED
2	57	922233-6	H.S.H.BOLT M5X20 WITH WR	1		
2	58	266326-2	TAPPING SCREW 4X18	8		
2	59	911233-1	PAN HEAD SCREW M5X20	4		
2	60	136371-0	PIPE BRACKET ASSY	1		INC. 63
2	61	922202-7	HEX. SOCKET HEAD BOLT M5X8	1		
2	62	922233-6	H.S.H.BOLT M5X20 WITH WR	1		
2	63	263002-9	RUBBER PIN 4	1		
2	64	127641-8	DAMPER SHAFT ASSEMBLY	1		INC. 65-72
2	65	327600-4	JOINT SLEEVE	1		
2	66	256964-8	PIN 5	1		
2	67	232625-4	TORSION SPRING 12	1		
2	68	327601-2	SPINDLE HUB	1		
2	69	211232-6	BALL BEARING 6002LLU	1		
2	70	226997-7	HELICAL GEAR 33	1		
2	71	253744-3	FLAT WASHER 12	1		
2	72	211150-8	BALL BEARING 6901ZZ	1		
2	73	183U43-4	HOUSING SET	1		INC. 90
2		263005-3	RUBBER PIN 6	8		NOT PICTURED
2	74	266459-3	TAPPING SCREW 5X25	4		
2	75	136231-6	GEAR BOX ASS'Y	1		INC. 76
2	76	213961-7	O RING 22	1		
2	77	510470-0	ROTOR ASS'Y	1		INC. 78-80

Products with multiple versions are listed in subsiding order with the newest version on top not indented.

Section	Fig. No.	Part No.	Description	GAU01	Tech Bulletin	Notes
2	78	226996-9	HELICAL GEAR 16	1		
2	79	210005-4	BALL BEARING 608DDW	1		
2	80	210062-2	BALL BEARING 607ZZ	1		
2	81	459764-7	BAFFLE PLATE	1		
2	82	266326-2	TAPPING SCREW 4X18	2		
2	83	629A97-2	STATOR	1		
2	84	459763-9	MOTOR HOUSING	1		
2	87	620H17-1	CONTROLLER	1		
2	88	632P49-4	TERMINAL UNIT	1		
2	90	183U43-4	HOUSING SET	1		INC 73
2	90	263005-3	RUBBER PIN 6	8		NOT PICTURED
2	91	266326-2	TAPPING SCREW 4X18	8		
2	92	8114W3-2	GAU01 NAME PLATE	1		
2	93	413C42-7	GUARD	1		
2	94	266326-2	TAPPING SCREW 4X18	4		
2	A10	191K37-5	BAND ASSEMBLY SET	1		NOT PICTURED