

646BV Hose Bibb • Spec Sheet



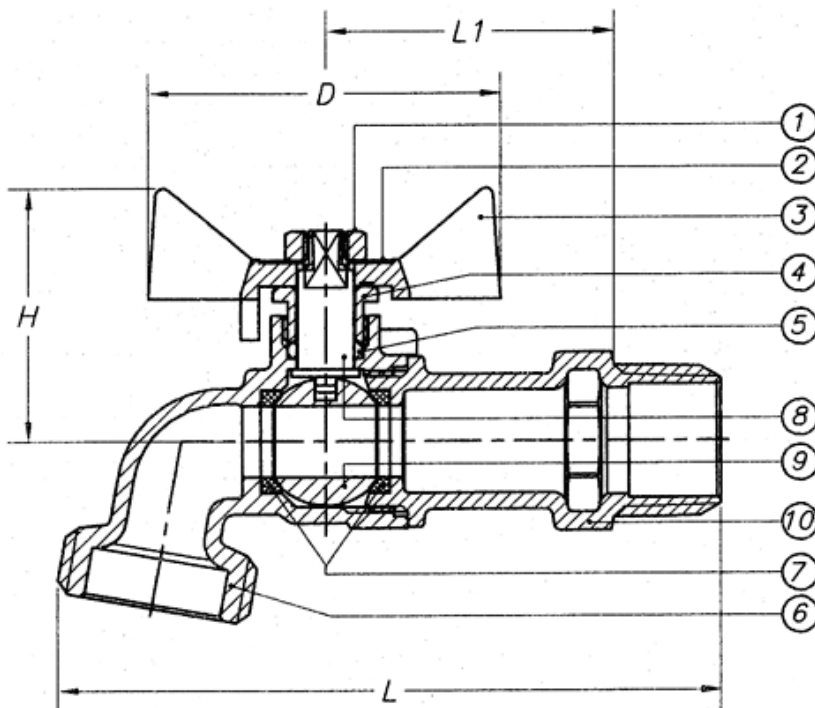
FEATURES & BENEFITS

- Hose Bibb-Male
- ISO 9001:2000
- 125 WOG
- Ball Valve Type
- Hose x MIP 1/2" and 3/4"
- 1/2" MIP x 1/2" Solder Inlet

*Replacement Handles Available

DIMENSIONS

Size	Part #	D	H	L	L1
1/2"	646BV03	1.93	1.40	3.62	1.58
3/4"	646BV04	1.93	1.40	3.64	1.58



MATERIAL SPECIFICATIONS

No.	Part	Material
1	Handle Nut	Brass B124 C37700
2	Name Plate	Aluminum A1100
3	Handle	Zinc Z30A
4	Packing Nut	Brass B16 C36000
5	Packing	PTFE M-392
6	Body	Brass B584 C85710
7	Ball Packing	PTFE M-392
8	Stem	Brass B16 C36000
9	Ball	Brass B16 C36000
10	Bonnet	Brass B584 C85710

 **MATCO-NORCA**
Global sourcing. National compliance. Local service.

CALIFORNIA 5593 Fresca Dr., La Palma CA 90623 • Toll Free: 866-532-8306 • Fax: 866-532-8307
TEXAS 1150 Silber Rd., Houston TX 77055 • Toll Free: 800-935-5456 • Fax: 713-680-2999
NEW YORK PO Box 27, Rt. 22, Brewster NY 10509 • Toll Free: 800-431-2082 • Fax: 845-278-9056
 WEB: www.matco-norca.com EMAIL: mail@matco-norca.com