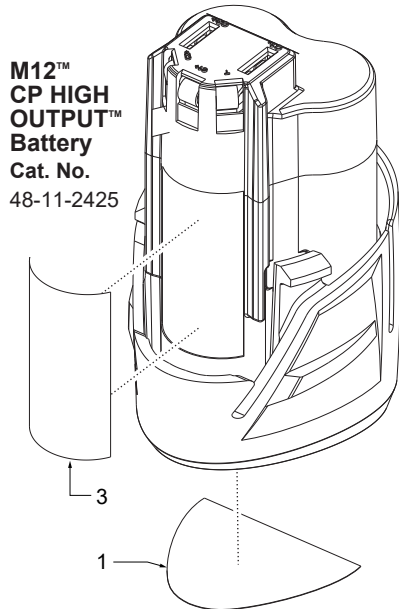
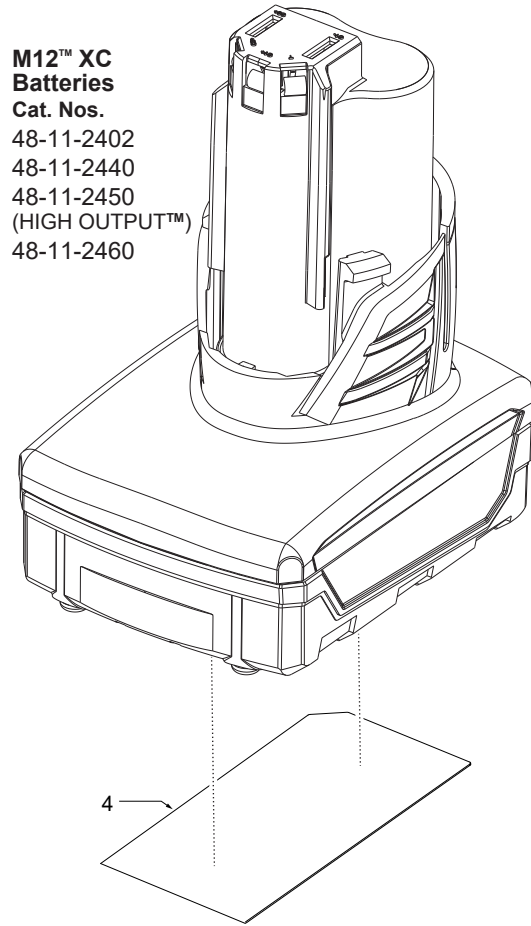
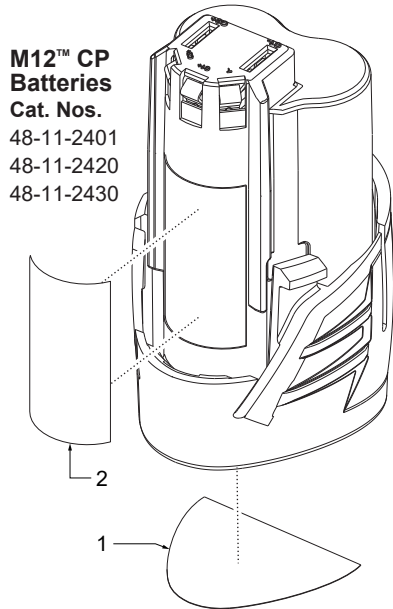




SERVICE PARTS LIST

BULLETIN NO.
PN0003524

SPECIFY CATALOG NO. AND SERIAL NO. WHEN ORDERING PARTS	REVISED BULLETIN	DATE Oct. 2024
M12™ BATTERIES		
CATALOG NO. 48-11-2401, 48-11-2402, 48-11-2420, 48-11-2425, 48-11-2430, 48-11-2440, 48-11-2450, 48-11-2460		



TRANSPORT NOTE:

Personal transport of Li-Ion battery packs is allowed when done in accordance with these warnings and instructions. The proper classification, packaging, labeling, marking, and documentation requirements for shipping Li-Ion batteries is dependent upon whether the particular batteries are rated greater than or less than 100 Wh. Generally, Li-Ion batteries rated 100 Wh or less are "excepted" from certain Class 9 DG requirements. Always check compliance of Li-Ion battery consignments against the current regulations governing the chosen mode of transport. When in doubt, contact the carrier or another trained Dangerous Goods professional to confirm acceptability. Li-Ion packs are shipped under classification UN 3480 (battery only) or UN 3481 (batteries contained in or packed with equipment).

FIG.	PART NO.	DESCRIPTION OF PART	NO. REQ.
1	-----	CP Service Nameplate	(1)
2	10-15-0965	CP Warning Label	(1)
3	10-20-8925	CP HIGH OUTPUT Warning Label (for 48-11-2425 battery only)	(1)
4	12-20-2498	XC Service Nameplate	(1)

FIG. 2,3,4 NOTES
A clean, dry surface is essential for proper performance for any adhesive system. The area intended for application of any adhesive label or nameplate must be prepared by cleaning with isopropyl alcohol. The solvent is to be applied with a clean, lint free applicator and the surface allowed to dry before applying the label or nameplate.