

Standard Series – 14 in. X 19 in. Valve Box

APPLICATION

- Protects critical infrastructure such as irrigation control valves, sewer cleanouts, wire splices, and backflow valves
- Provides easy access for service and maintenance

FEATURES

- Structural support ribs reinforce box for added strength
- Universal Locking Mechanism (ULM) – patented design
 - Enables various sizes of bolts/screws to secure cover with a size range of 3/8 in. to 1/2 in. in diameter and minimum 2-1/2 in. long
 - Nut is no longer needed but speed nut slot also exists (speed nut not included)
- Fits all 14 in. x 19 in. covers and extensions

Universal Locking Mechanism



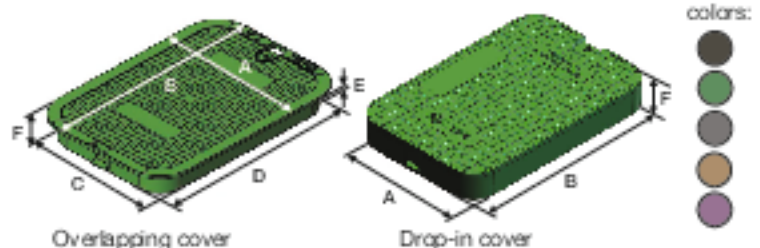
113BCD— Box and drop-in cover

SPECIFICATIONS

- Box material: PP
- Cover material: HDPE
- Box weight: 5.70 lbs.
- Cover weight: 2.61 lbs.
- Total weight: 8.31 lbs.
- Load rating: Pedestrian and lawn care equipment

WARRANTY

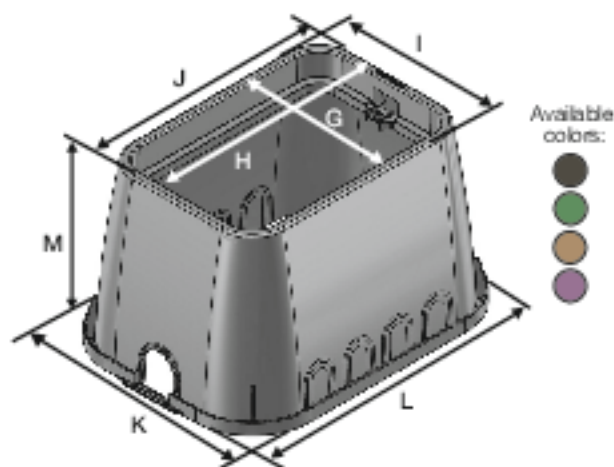
- Limited one-year warranty



Overlapping cover

Drop-in cover

COVER DIMENSIONS (NOMINAL)		
		113BCD only
A. Top width	11-1/2 in.	10-1/4 in.
B. Top length	16-5/8 in.	15-1/2 in.
C. Bottom width	10-1/8 in.	
D. Bottom length	15-1/4 in.	
E. Rim thickness	1/4 in.	
F. Overall height	2 in.	1-3/4 in.



Pipe hole: 2-5/8 in. X 2-3/4 in.

BOX DIMENSIONS (NOMINAL)

G. Top inside width	10-3/8 in.
H. Top inside length	15-1/2 in.
I. Top outside width	11-5/8 in.
J. Top outside length	16-3/4 in.
Bottom inside width	14 in.
Bottom inside length	19-1/4 in.
K. Bottom outside width	15-5/8 in.
L. Bottom outside length	21-1/4 in.
M. Height	12 in.