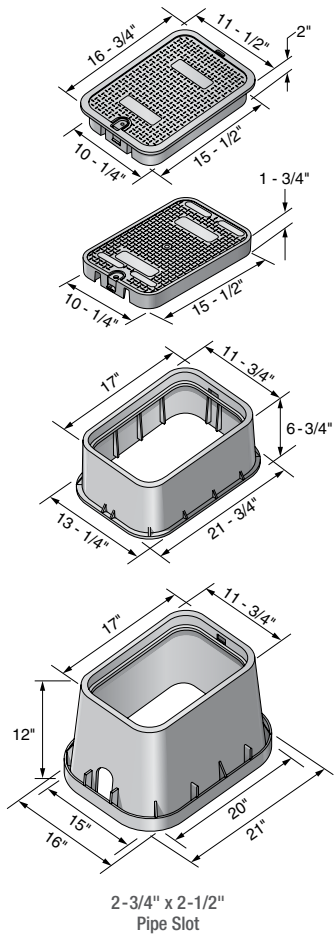


NDS STANDARD SERIES VALVE BOXES – RESIDENTIAL/COMMERCIAL GRADE

NDS Standard Series 14" x 19" Rectangular Valve Boxes

Specifications: The NDS STANDARD SERIES 14" x 19" body is tapered and has a minimum wall thickness of 0.200". The body has a double wall at the top cover seat area with a minimum thickness of 0.250". The cover seat area has 16 structural support ribs on the underside of the seat, each with a minimum thickness of 0.250". The bottom of the body has a 0.500" flange. The 14" x 19" cover has an average thickness of 0.250". The valve box has a 3/8" 304 Brass nut for the bolt-down as a standard feature.



Part No.	Description - Marking	Color (Box/Cover)	Pallet Qty.	Wt. Ea. lbs.	Product Class
Box & Cover					
113BC	14" x 19" Box, Overlapping Cover - ICV	Black/Green	78	8.00	20ND
113BCB	12" x 17" ICV Box and Bolted Cover	Black/Green	78	8.00	20ND
113BC CTN	12" x 17" Valve Box Overlap ICV Cover	Black/Green	48	9.32	20ND
113BC SAND	14" x 19" Box, Overlapping Cover - ICV	Sand/Sand	78	8.00	20ND
113BCR	14" x 19" Box, Overlapping Cover - Reclaimed Water	Black/Purple	78	8.00	20ND
113PBCR	14" x 19" Box, Overlapping Cover - Reclaimed Water	Purple/Purple	78	8.00	20ND
113BCBW	14" x 19" Box, Overlapping Bolt-Down Cover - Water	Black/Black	78	8.10	20NM
113BCBS	14" x 19" Box, Overlapping Bolt-Down Cover - Sewer	Black/Green	78	8.10	20NM
113BCE	14" x 19" Box, Overlapping Cover - Electrical	Black/Green	78	8.00	20NM
113BCDS	14" x 19" Box, Drop-in Cover - Sewer	Black/Green	78	8.00	20NM
115	14" x 19" x 6" Box, Extension, Overlapping Cover - ICV	Black/Green	49	8.00	20ND
115TBC	14" x 19" x 6" Tapered Box, Overlapping Cover - ICV	Black/Green	96	6.00	20ND
116	14" x 19" x 6" Box, Extension, Overlapping Cover - ICV	Green/Green	49	8.00	20ND
116TBC	14" x 19" x 6" Tapered Box, Overlapping Cover - ICV	Green/Green	96	6.00	20ND
116TBC SAND	14" x 19" x 6" Tapered Box, Overlapping Cover - ICV	Sand/Sand	96	6.00	20ND
Cover Only					
113C	14" x 19" Overlapping Cover - ICV	Green	300	2.00	20ND
113C SAND	14" x 19" Overlapping Cover - ICV	Sand	300	2.00	20ND
113CR	14" x 19" Overlapping Cover - Reclaimed Water	Purple	300	2.00	20ND
113CE	14" x 19" Overlapping Cover - Electrical	Green	300	2.00	20NM
Box Only					
113B	14" x 19" Box	Black	78	6.00	20NM
114B-SAND	14" x 19" Box	Sand	78	6.00	20ND
113PB	14" x 19" Box	Purple	78	6.00	20ND
113-6	14" x 19" x 6" Extension	Black	49	4.00	20ND
116TB	14" x 19" x 6" Tapered Box	Green	96	4.00	20ND
116-SAND	14" x 19" x 6" Extension	Sand	49	6.00	20ND
116TB SAND	14" x 19" x 6" Tapered Box	Sand	96	4.00	20ND
113BB	2-1/2" x 3/8" SS Bolt	Steel	(Bag of 10)	0.10	20NM
114B	14" x 19" Box	Green	78	6.00	20ND