

## 6" ROUND STANDARD SERIES VALVE BOXES

Series: Standard Series

Box Material: HDPE

Cover Material: HDPE

Box Weight: 1.04 lbs

Lid Weight: 0.23 lbs

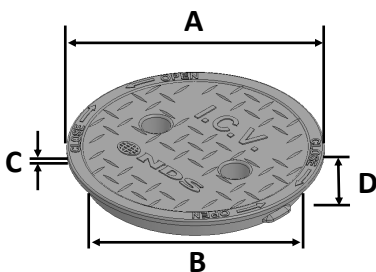
Total Weight: 1.27 lbs

Load rating:

Pedestrian & lawn care equipment

**MADE IN THE USA**

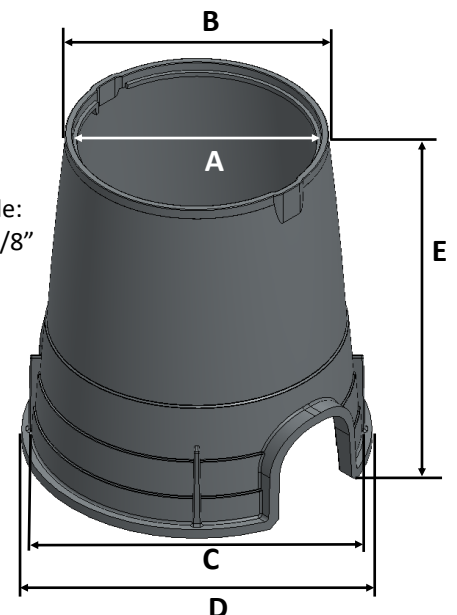
**MADE FROM 100% RECYCLED MATERIAL**



Lid Dimensions	
A. Top diameter	6 1/2"
B. Bottom diameter	5 3/4"
C. Rim thickness	3/16"
D. Overall height	3/4"

Mouse hole:  
2 3/8" x 2 3/8"

Box Dimensions	
A. Top inside diameter	5 7/8"
B. Top outside diameter	6 3/8"
C. Bottom inside diameter	7 1/2"
D. Bottom outside diameter	8 3/8"
E. Height	8 7/8"



## 6" ROUND STANDARD SERIES VALVE BOXES

PART NUMBER	DESCRIPTION	BOX COLOR	COVER COLOR	COVER MARKING
BOX & COVER COMBINATIONS				
107BC	BOX WITH OVERLAPPING TWIST-LOCK COVER	BLACK	GREEN	ICV
107BC ARNB	BOX WITH OVERLAPPING TWIST-LOCK COVER (ENGLISH & SPANISH)	BLACK	BLACK	RECYCLED WATER
107BC BLK	BOX WITH OVERLAPPING TWIST-LOCK COVER	BLACK	BLACK	ICV
107BC SAND	BOX WITH OVERLAPPING TWIST-LOCK COVER	SAND	SAND	ICV
107BCH	BOX WITH SNAP-IN OVERLAPPING COVER*	BLACK	GREEN	ICV
107BCR	BOX WITH OVERLAPPING TWIST-LOCK COVER	BLACK	BLACK	RECLAIMED WATER
107BCR BLK	BOX WITH OVERLAPPING TWIST-LOCK COVER	BLACK	BLACK	RECLAIMED WATER
107BCS	BOX WITH OVERLAPPING TWIST-LOCK COVER	BLACK	GREEN	SEWER
107BCW	BOX WITH OVERLAPPING TWIST-LOCK COVER	BLACK	GREEN	WATER
107EBC	EMITTER BOX WITH OVERLAPPING TWIST-LOCK COVER	BLACK	GREEN	EMITTER BOX
107EBCR	EMITTER BOX WITH OVERLAPPING TWIST-LOCK COVER	BLACK	PURPLE	EMITTER BOX
107PBCR	BOX WITH OVERLAPPING TWIST-LOCK COVER	PURPLE	PURPLE	RECLAIMED WATER
108BC	BOX WITH OVERLAPPING TWIST-LOCK COVER	GREEN	GREEN	ICV
108BCS	BOX WITH OVERLAPPING TWIST-LOCK COVER	GREEN	GREEN	SEWER
108BCW	BOX WITH OVERLAPPING TWIST-LOCK COVER	GREEN	GREEN	WATER

\*THIS BOX AND COVER ARE MADE OF POLYPROPYLENE



## 6" ROUND STANDARD SERIES VALVE BOXES

PART NUMBER	DESCRIPTION	COVER COLOR	COVER MARKING
COVER ONLY			
107C	OVERLAPPING TWIST-LOCK COVER	GREEN	ICV
107C BLK	OVERLAPPING TWIST-LOCK COVER	BLACK	ICV
107C BRN	OVERLAPPING TWIST-LOCK COVER	BROWN	ICV
107C SAND	OVERLAPPING TWIST-LOCK COVER	SAND	ICV
107CH	OVERLAPPING SNAP-IN COVER*	GREEN	ICV
107CR	OVERLAPPING TWIST-LOCK COVER	PURPLE	RECLAIMED WATER
107CS	OVERLAPPING TWIST-LOCK COVER	GREEN	SEWER
107CW	OVERLAPPING TWIST-LOCK COVER	GREEN	WATER

\*THIS COVER IS MADE OF POLYPROPYLENE

PART NUMBER	DESCRIPTION	BOX COLOR
BOX ONLY		
106B	SNAP-IN COVER VALVE BOX*	BLACK
107B	TWIST-LOCK COVER VALVE BOX	BLACK
108B	TWIST-LOCK COVER VALVE BOX	GREEN

\*THIS BOX IS MADE OF POLYPROPYLENE

PHYSICAL PROPERTIES	ASTM TEST METHOD	HDPE TEST RANGE	POLYPROPYLENE TEST RANGE
TENSILE STRENGTH YIELD	D-638	3,400—4,400 PSI	6,000—11,600 PSI
FELXURAL MODULUS	D-790	140,000—200,152 psi	204,000—900,000 PSI
COMPRESSIVE STRENGTH	D-695	3,340—4,600 PSI	5,000—8,000 PSI
IMPACT STRENGTH, IZOD	D-256	1.5—15 FT. LBS/IN	1.11—14 FT. LBS/IN
DUROMETER HARDNESS, TYPE D	D-2240	63-67	30-83
DEFLECTION TEMPERATURE @66PSI STRESS	D-648	150—212°F	180—320°F
SPECIFIC GRAVITY	D-792	0.941—0.965	0.89—0.91

