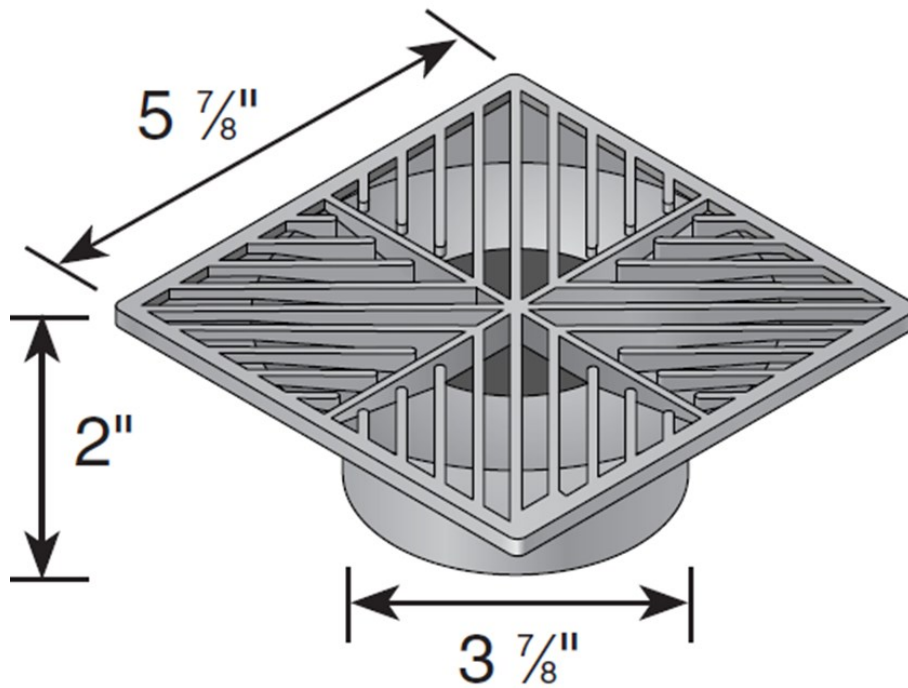


## 6" Square Grate



$\frac{1}{4}$ " Grate Opening

Part #: 4, 5, 6 & 6S

Material: (HDP) High Density Polypropylene

Color: #4(Black), #5(Green), #6(Gray) & #6S(Sand)

Fits: 3" & 4" sewer and drain pipe & fittings, 3' & 4" corrugated and triple wall pipe.

Grate Opening:  $\frac{1}{4}$ "

Open Surface Area: 10.40 Sq. Inches

Head Pressure / Flow Rate:

Head ( inches) - Max Flow

1" = 45.04 GPM

0.5" = 31.81 GMP

Weight Per Each: 0.36 lbs.

### Load Recommendation Guide



#### Class A

- Loads of 1-60 psi.
- Recommended for pedestrians, bicycles and wheel chair traffic.

ADA Compliant/Heel-proof

