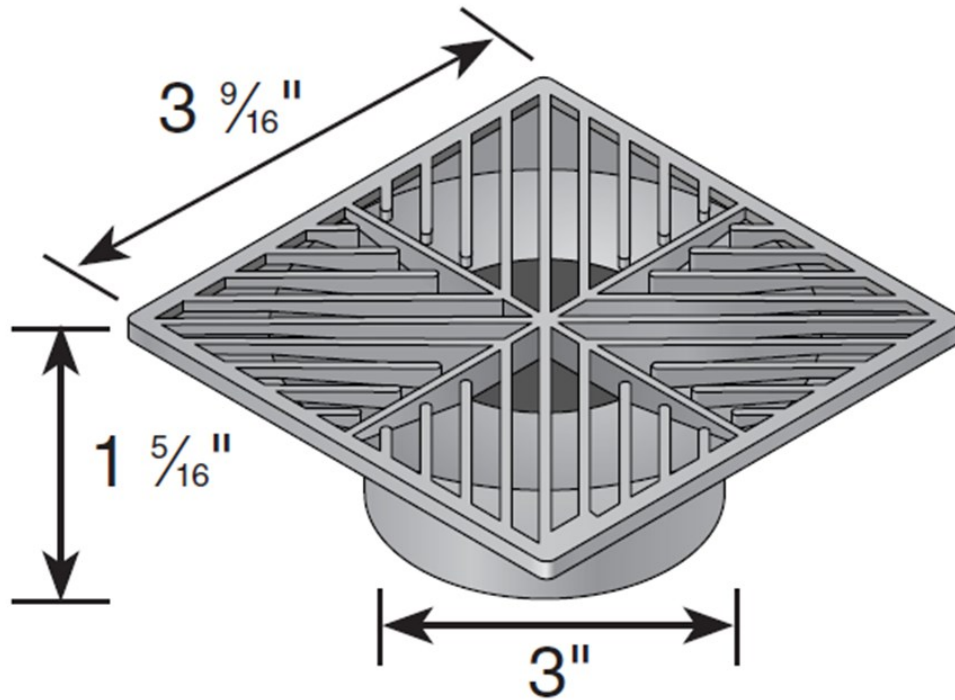


## 4" Square Grate



$\frac{3}{16}$ " Grate Opening

Part #: 1, 2, & 3  
 Material: (HDP) High Density Polypropylene  
 Color: #1(Green), #2(Black), & #3(Gray)  
 Fits: 3" sewer and drain pipe & fittings, 3" corrugated and triple wall pipe.  
 Grate Opening:  $\frac{3}{16}$ "  
 Open Surface Area: 3.45 Sq. Inches  
 Head Pressure / Flow Rate:  
Head (inches) - Max Flow  
 1" = 14.93 GPM  
 0.5" = 10.55 GPM  
 Weight Per Each: 0.11 lbs  
 UV inhibitor

### Load Recommendation Guide



#### Class A

- Loads of 1-60 psi.
- Recommended for pedestrians, bicycles and wheel chair traffic.

ADA Compliant/Heel-proof

