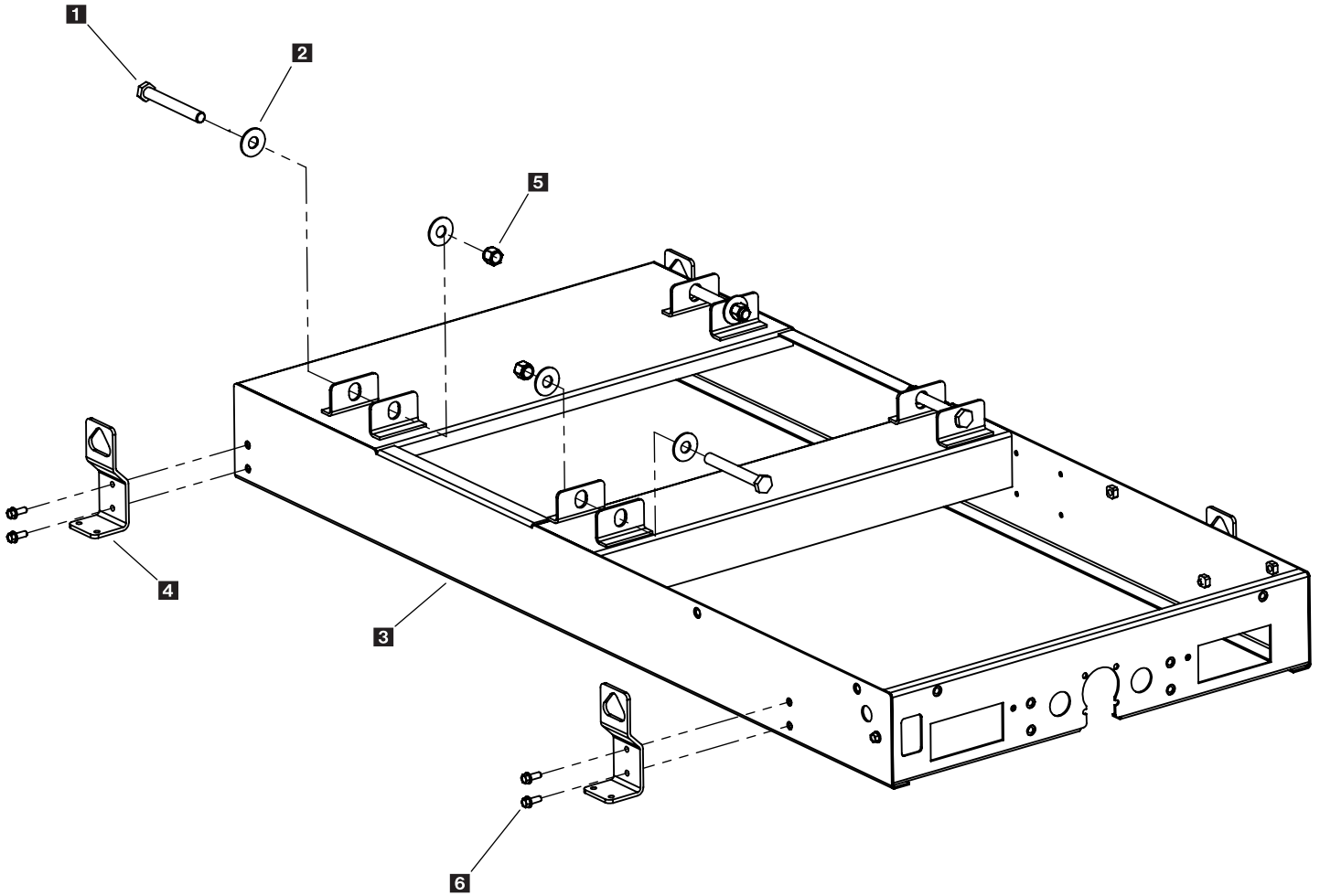


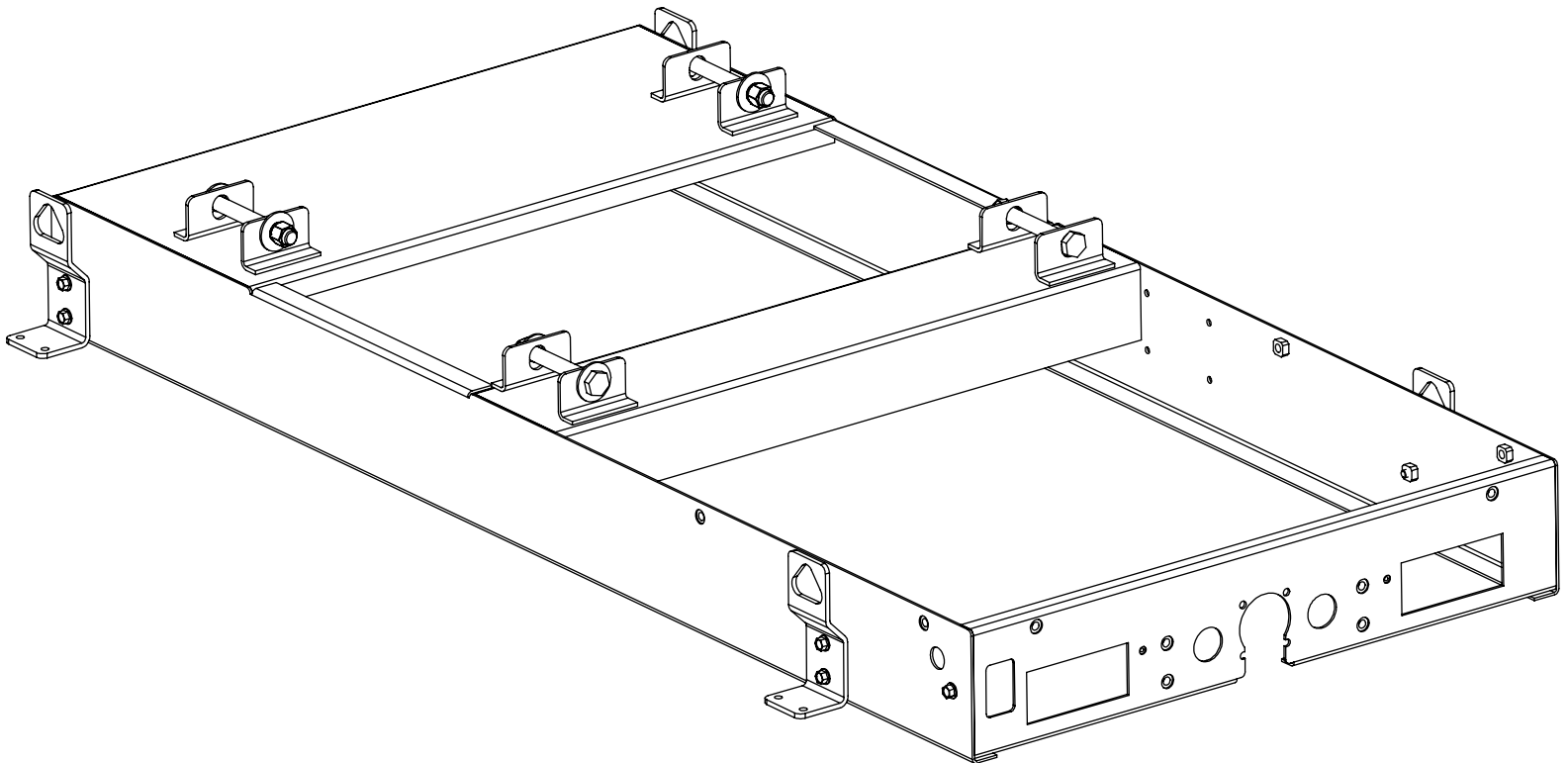
Frame Assembly Parts Breakdown

Model # VSS 2000 / 3000



Frame Parts Breakdown

Model # VSS 2000 / 3000



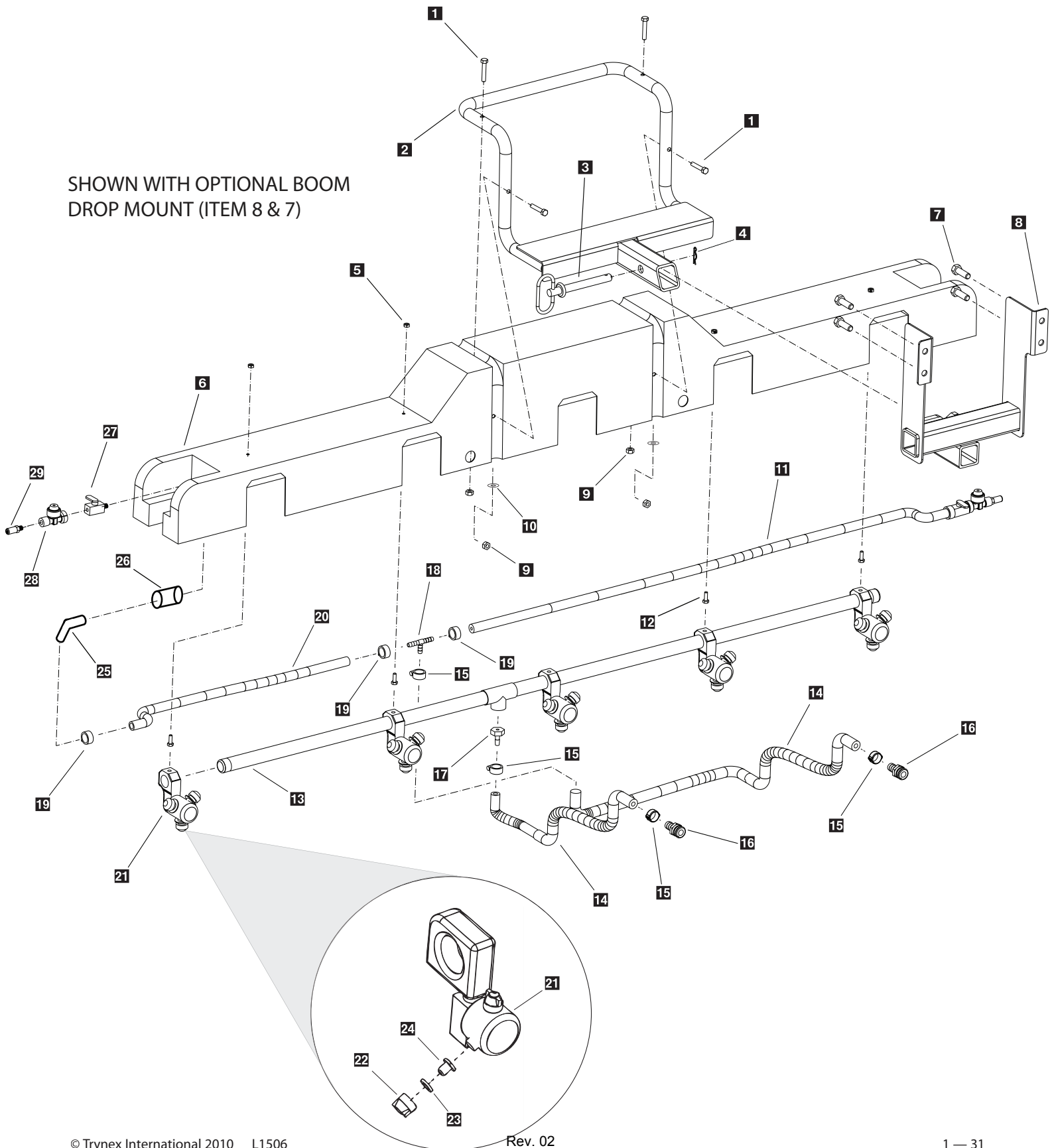
Key	Part No.	Description	Qty.
1	D 5291	3/4-10 x 6" Hex Bolt	4
2	D 5335	Tank Spacer	4
3	D 5280	200 Gallon Frame Weldment	1
3	D 5230	300 Gallon Frame Weldment	1
4	D 5244	Lift / Mounting Bracket	4
5	D 4129	3/4-10 Nylock Nut	4
6	D 4122	3/8-16 x 1-1/2 Hex Head Bolt	8

Spray Boom Assembly

Model # VSS 2000 / 3000

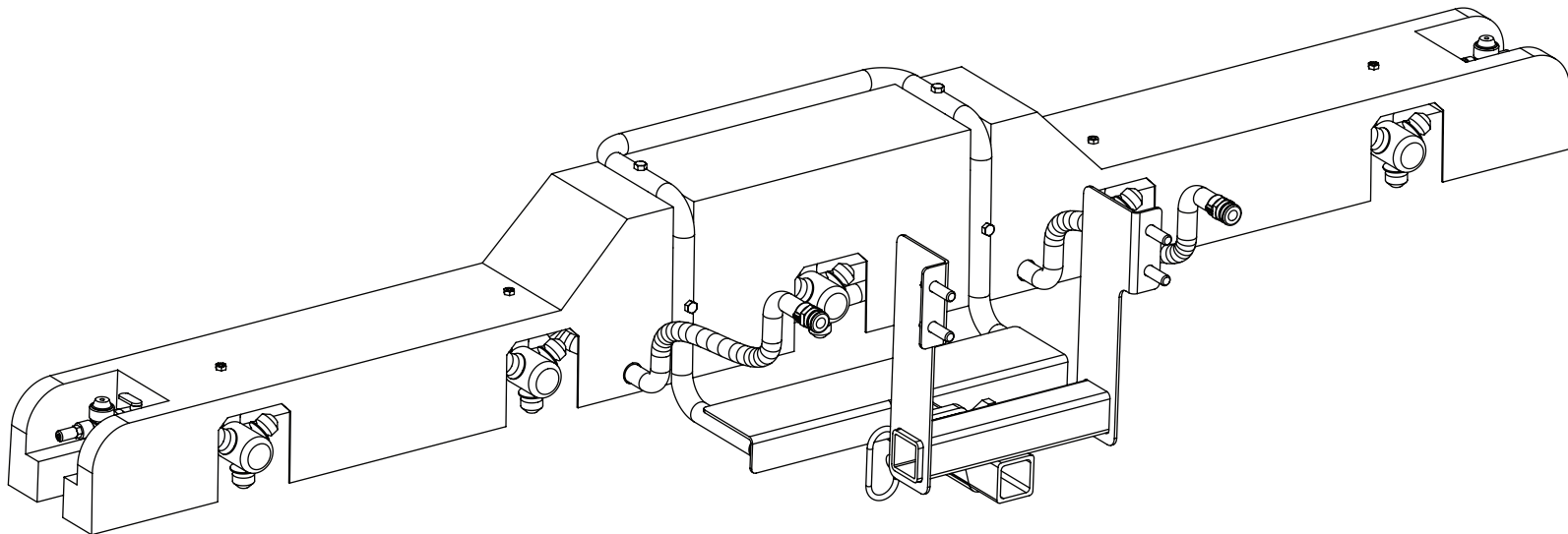


SHOWN WITH OPTIONAL BOOM
DROP MOUNT (ITEM 8 & 7)



Spray Boom Parts Breakdown

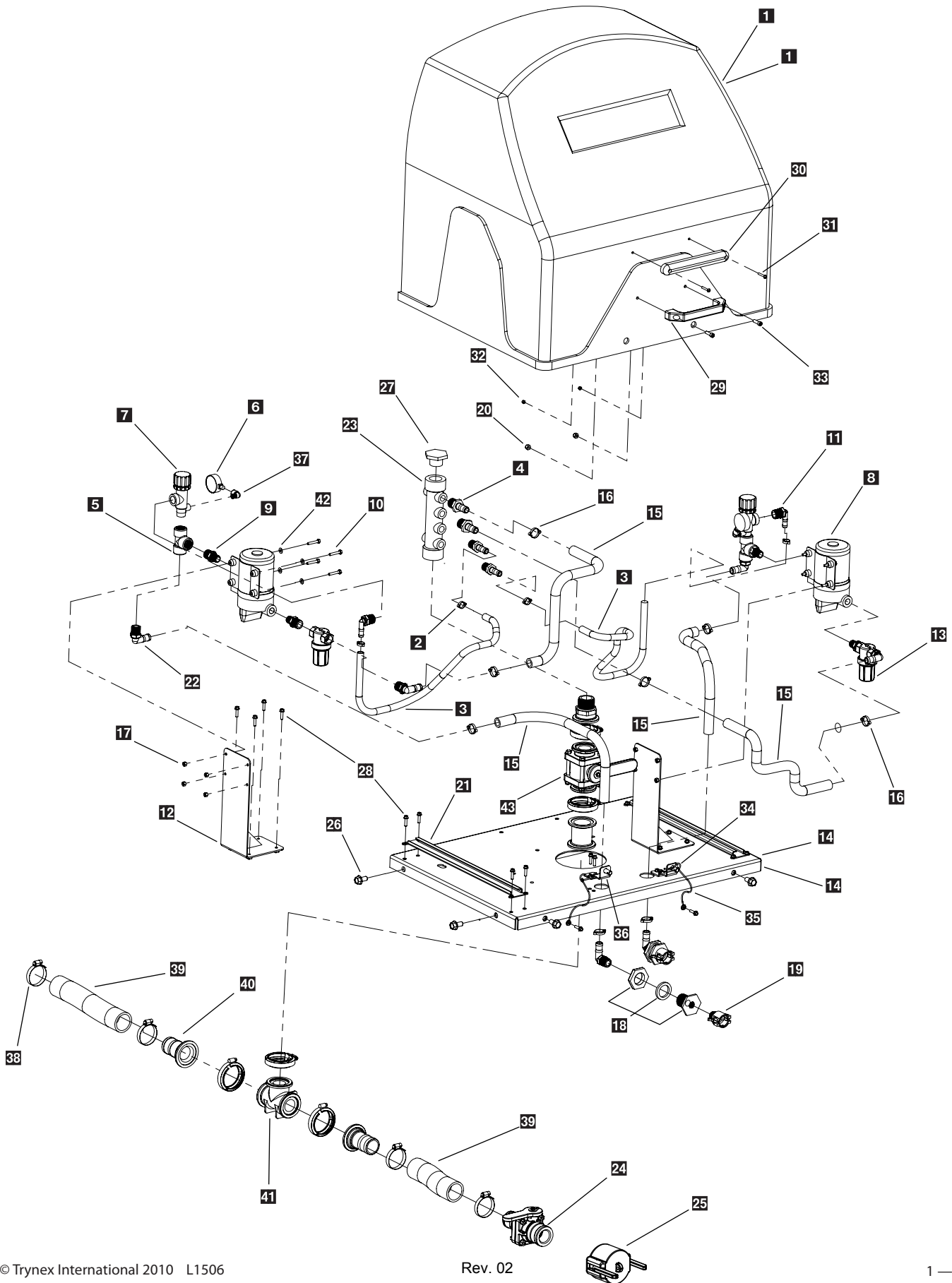
Model # VSS 2000 / 3000



Key	Part No.	Description	Qty.	Key	Part No.	Description	Qty.
1	D 6462	5/16-18 x 1-3/4 Hex Head	4	17	D 6928	3/4" Straight Hose Barb	1
2	D 5223	Boom Bracket	1	18	D 5250	3/4"x1/2"x1/2" Barb Tee	1
3	D 4136	5/8 x 5-1/2 Hitch Pin	1	19	D 5260	1/2" Hose Crimp Clamp	4
4	D 4135	2-5/16 Hair Pin Clip	1	20	D 5235	1/2" x 30" Pvc Hose	1
5	D 5706	5/16-18 Serrated Flange Nut	4	21	D 6939	Rotary Nozzle Assembly	5
6	D 5210	Plastic Boom	1	22	D 6955	Yellow Nozzle Cap	5
7	D 6528	1/2-13 x 1 Serrated Flange Bolt	4	22	D 6956	Red Nozzle Cap	5
8	D 5290	Wet Boom Mount	1	22	D 6957	Green Nozzle Cap	5
9	D 6138	5/16-18 Nylox Nut Zinc	4	23	D 6961	Nozzle Gasket	15
10	D 6165	5/16 Flat Washer	4	24	D 5232	Fan Nozzle	5
11	D 5236	1/2" x 48" Pvc Hose	1	24	D 5233	Streamer Nozzle	5
12	D 5209	5/16-18 x 3/4 Hex Head	4	24	D 5234	Triple Streamer Nozzle	5
13	D 5227	Spray Boom 1" Pipe	1	25	D 5202	1/4" x 1/2" Brass Hose Barb 45 Degree	2
14	D 5238	3/4" x 30" Pvc Hose	2	26	D 5201	1/4" Female Brass Bulkhead	2
15	D 5240	3/4" Hose Crimp Clamp	4	27	D 5231	Boomless Nozzle Valve	2
16	D 5228	3/4" Hose Quick Disconnect Fitting	2	28	D 5241	Boomless Nozzle Check Valve	2
				29	D 5215	Boomleszs Nozzle	2

Main Plumbing Assembly

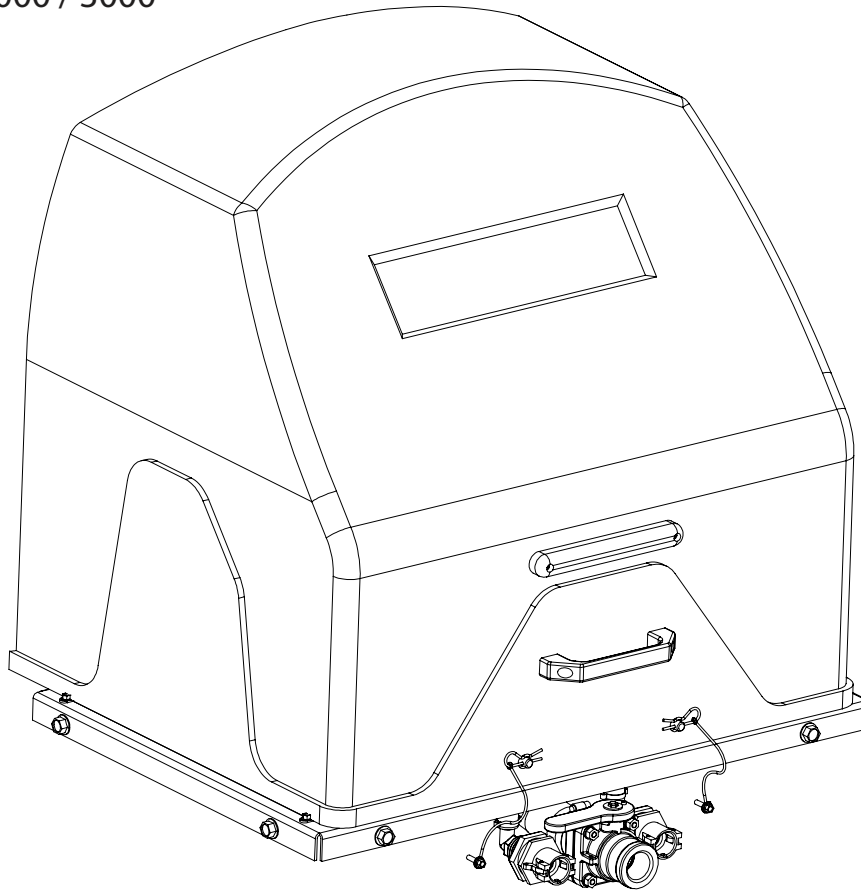
Model # VSS 2000 / 3000



Main Pump/Plumbing Parts Breakdown



Model # VSS-2000 / 3000

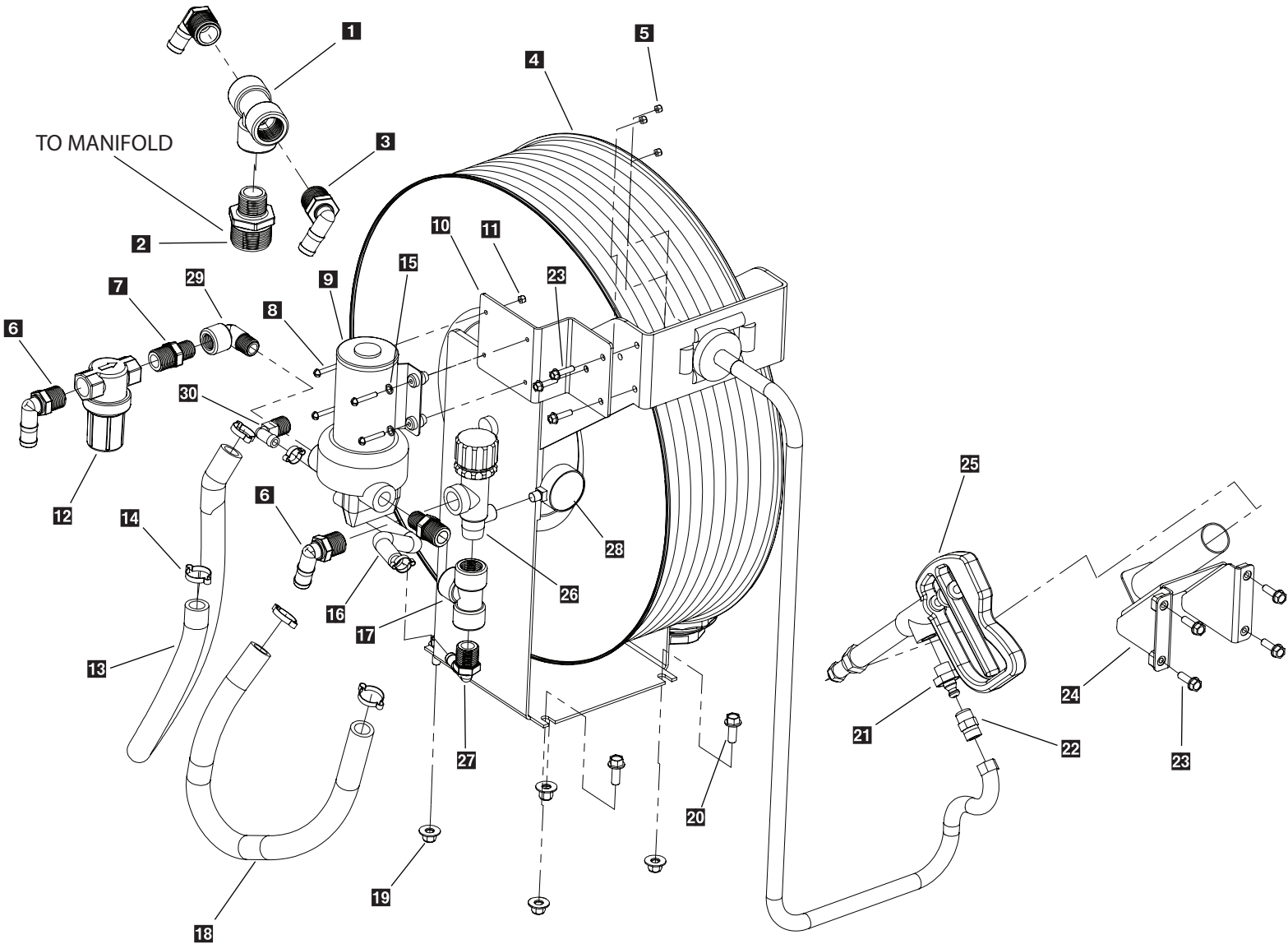


Key	Part No.	Description	Qty.	Key	Part No.	Description	Qty.
1	D 5214	Pump Assembly Cover VSS-2000	1	22	D 6905	3/4" x 90 Degree Hose Barb	3
1	D 5256	Pump Assembly Cover VSS-3000	1	23	D 5188	Hose Manifold	1
2	D 5260	1/2" Hose Crimp Clamp	8	24	D 5193	Tank Fill Valve 2" Ball Valve	1
3	D 6989	1/2" x 48" PVC Hose 23 Inches Long	1	25	D 5222	Fill Port Cap	1
3	D 6989	1/2" x 48" PVC Hose 27 Inches Long	1	26	D 6528	1/2"-13 x 1 Serrated Flange Bolt	6
4	D 5255	3/4" x 1/2" Straight Hose Barb	1	27	D 5185	1-1/2 Inch Poly Plug	1
5	D 6926	3/4" NPT Tee	3	28	D 6132	1/4-20 x 1 Serrated Flange Bolt	20
6	D 5213	0 - 100 PSI Gauge	3	29	D 5248	Cover Handle	1
7	D 5212	Regulator Valve	3	30	D 6514	Rear CHMSL Brake Light	1
8	D 5205	7.0 GPM Pump	1	31	D 6529	# 10 Black Oxide Screw	2
9	D 5225	3/4" x 1/2" Reducing Nipple	6	32	D 6158	# 10 Lock Nut	2
10	T30726	1/4"-20 x 1-1/2 SS	4	33	D 5293	Handle Bolts	2
11	D 5254	3/4" x 1/2" 90 Degree Hose Barb	6	34	D 4135	5/16 Hair Pin Clip	2
12	D 5198	1/2" NPT Street Ell	3	35	D 5296	Hair Pin Cable Lanyard	2
13	D 6918	3/4" Strainer	3	36	D 5258	Cover Mounting Pin Bracket	2
14	D 5199	Pump Mounting Base VSS-2000	1	37	D 5249	1/4" 90 Degree Gauge Elbow	3
14	D 5238	Pump Mounting Base VSS-3000	1	38	D 5189	1/4" 90 Degree Gauge Elbow	3
15	D 6990	3/4" x 19" PVC Hose	1	39	D 5196	2" Red EPDM Hose x 1" Long	8
15	D 6990	3/4" x 21" PVC Hose	2	39	D 5196	2" Red EPDM Hose x 1" Long	14
15	D 6990	3/4" x 24" PVC Hose	1	40	D 5192	2" Flange x 2" Hose Barb	2
16	D 5240	3/4" Hose Crimp Clamp	10	41	D 5195	2" Flanged Tee	1
17	T 15016	1/4"-20 Nylox SS	5	42	T 15104	1/4" Flat Washer SS	8
18	D 6917	3/4" Bulkhead	2	43	D 5197	2" Ball Valve Tank Shut Off	1
19	D 6916	Female Quick Disconnect	2				
20	T 15018	5/16-18 Nylox Nut SS	2				
21	D 5257	Pump Cover Track Slide	2				

HRK-175 Hose Reel (Optional Kit) Parts Breakdown

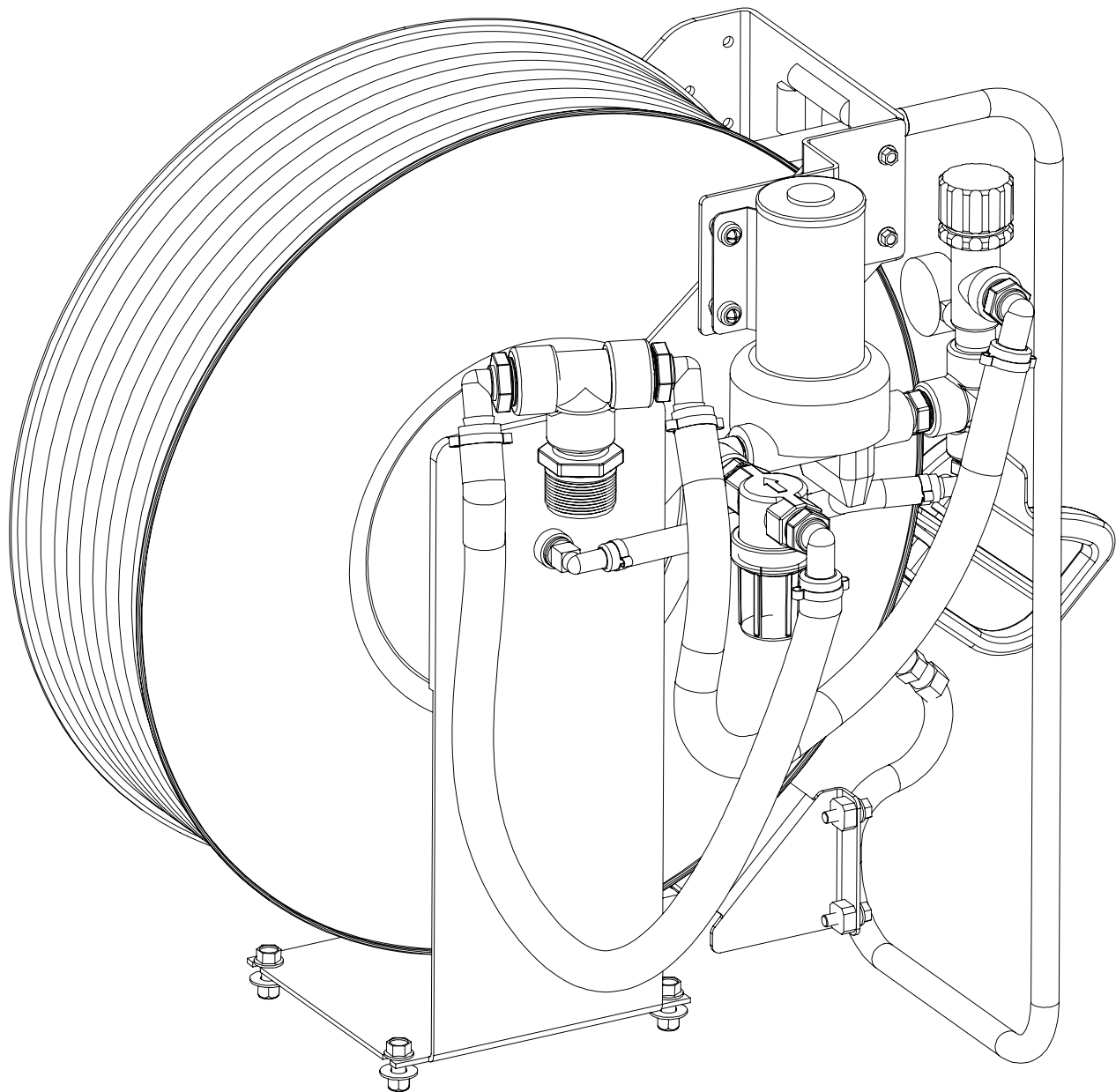


Model # VSS 2000 / 3000



Hose Reel Parts Breakdown

Model # VSS 2000 / 3000

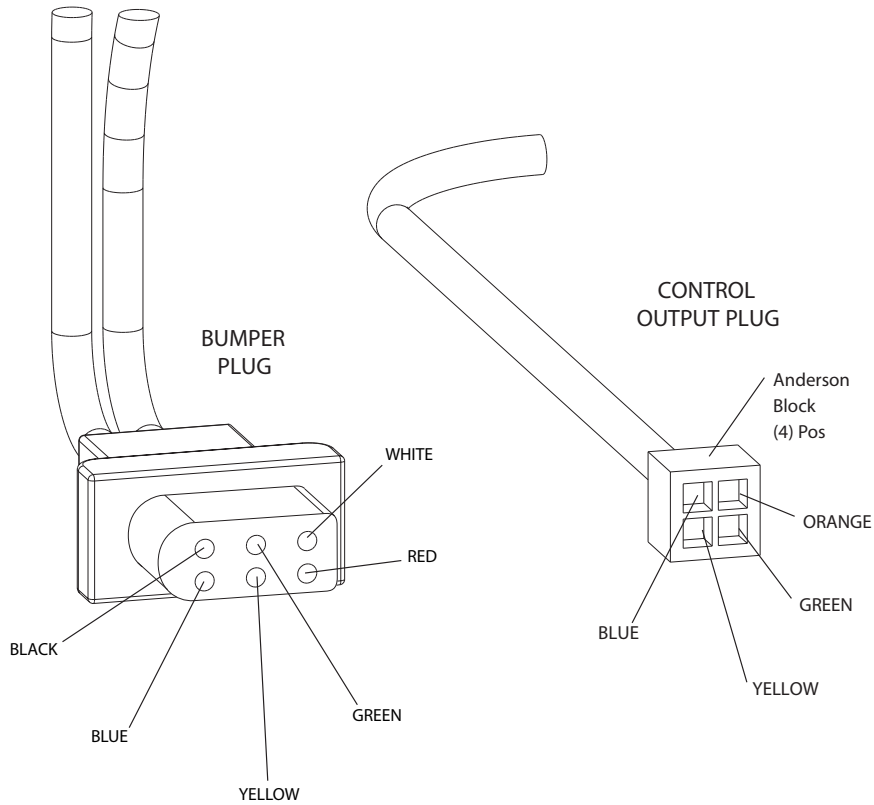


Key	Part No.	Description	Qty.	Key	Part No.	Description	Qty.
1	D 5317	1" Tee Poly	1	16	D 6989	1/2" PVC Hose (12" Long)	12
2	D 5316	1-1/2" x 1" Reducing Nipple Poly	1	17	D 6926	3/4" Tee	1
3	D 5318	1" x 3/4" 90 Hose Barb Poly	2	18	D 6990	3/4" PVC Hose (23" Long)	23
4	D 5206	Hose Reel 100' Spring Return	1	19	D 6584	3/8-16 Serrated Flange Bolt	4
5	T 15018	5/16-18 Nylock Stainless	1	20	D 6452	3/8"-16 x 1" Serrated Hex Bolt	4
6	D 6905	3/4" 90 Degree Barb	2	21	D 5208	Coupler Plug 1/2" NPT	1
7	D 5225	3/4" x 1/2" Reducing Nipple	2	22	D 5204	Coupler Socket 1/2" NPT	1
8	D 5294	#10-32 x 1-1/4" SS HH MS 18-8 (304)	4	23	D 5209	5/16"-18 x 3/4" SS HH Bolt 18-8 (304)	7
9	D 5242	5.0 GPM Pump	1	24	D 5243	Gun Mount Bracket	1
10	D 5287	Pump Bracket	1	25	D 5224	Spray Gun	1
11	D 5948	#10-32 Nylox Nut SS	4	26	D 5212	Regulator Valve	1
12	D 6918	Strainer	1	27	D 5254	3/4" x 1/2" 90 Deg. Hose Barb HB075/050	1
13	D 6990	3/4" Pvc Hose (28" Long)	28	28	D 5213	Gauge	1
14	D 5240	1-1/16" Hose Crimp Ring	4	29	D 6923	1/2" 90 Degree Street Elbow	1
15	D 5292	#10 SS Flat Washer 18-8 (304)	4	30	D 5203	1/2" x 1/2" Brass Hose Barb 90 Degree	1

Vehicle Harness

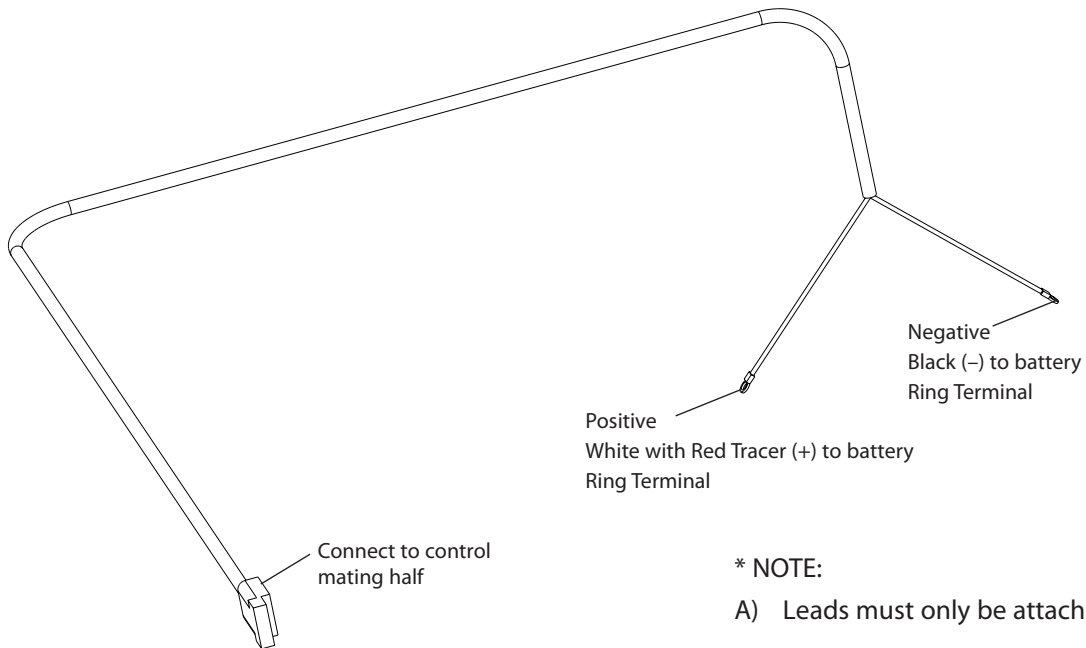


Model # VSS-2000 / 3000



Control Power Harness

Model # VSS-2000 / 3000



* NOTE:

A) Leads must only be attached to battery.

Key	Part No.	Description	Qty.
1	D 6341	Control	1
2	D 5218	Vehicle Harness	1

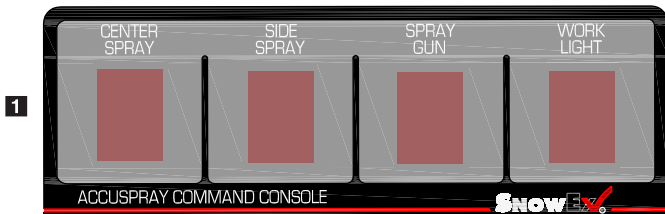
Step 1: Attach vehicle harness rubber plug end to rear of vehicle using supplied hardware.

Step 2: Route harness along vehicle frame and away from any heat sources. Ty-wrap harness to vehicle frame as you go along. Route (4) conductor block and common ground through vehicle bulkhead using service accesses. If you need to drill a hole make sure to inspect the area inside and out before doing so, this will minimize any damage to wires or other vehicle components.

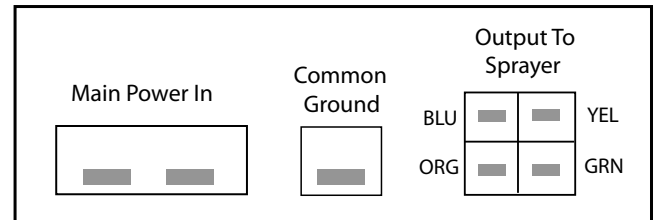
Step 3: Route control power cable through vehicle bulkhead to the battery. Connect terminal ends to battery and tywrap harness to along the way back to the vehicle bulkhead.

Step 4: Select a suitable mounting spot for sprayer control and install with supplied hardware. Once you have the control mounted, install harness connectors into the back of the control. Leave some slack in harness so the connector are not under any strain. Ty-wrap all harnesses to proper points, take up any extra harness length and coil up inside the engine compartment. **DO NOT MODIFY HARNESS LENGTH OR CONNECTORS.** Connect sprayer harness to bumper plug, then test each function on the control by switching each function on and off to verify proper installation.

VSS-2000 / 3000 Electrical System

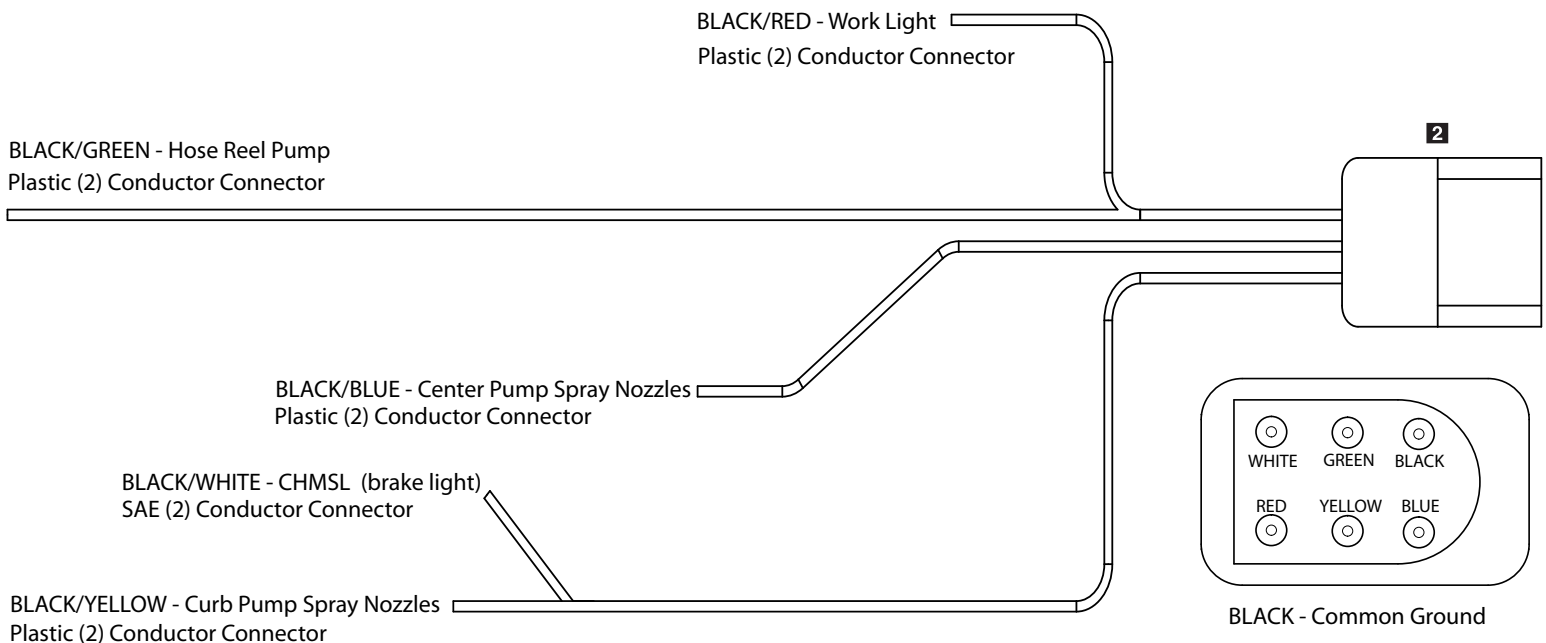


1 D 5216 Spray Control Front



Rear View Of Spray Control

NOTE: Colors Are For Harness Ends



Key	Part No.	Description	Qty.
1	D 5216	Control	1
2	D 5219	Sprayer Harness	1

Assembly / Installation Instructions

Model # VSS-2000/3000



Step 1: Bolt boom mount assembly onto rear of frame with supplied hardware (see fig 1).

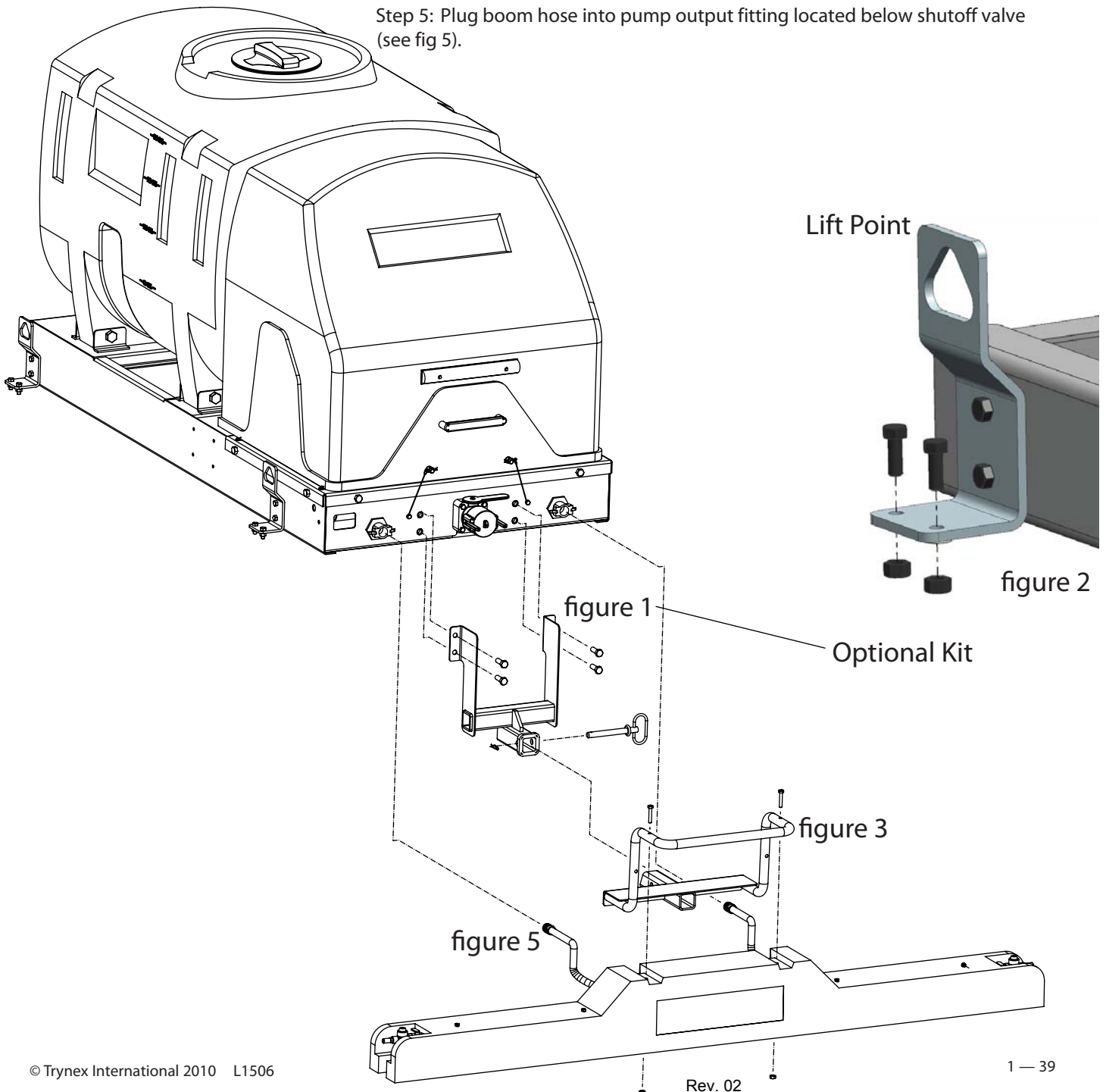
Step 2: Lift main assembly using the four corner lift point brackets and position onto vehicle. Center spray system left to right and then slide forward until boom mount just makes contact with vehicle. Bolt into place with supplied hardware (see fig 2).

NOTE: Pay special attention when drilling or clamping dissimilar metals to aluminum bodies. Galvanic corrosion can occur if not handled properly. Contact vehicle manufacturer for recommended attachment practices.

Step 3: Bolt boom onto 2" receiver mount with supplied hardware (see fig 3).

Step 4: Install boom assembly with mount into receiver that was installed in step one (see fig 4).

Step 5: Plug boom hose into pump output fitting located below shutoff valve (see fig 5).



Calibration Data

Model # VSS-2000/3000



De-Ice / Anti-Ice Rotary Nozzle Flow Rate Chart
at variable speeds and pressure settings

GPA / MILES PER HOUR

PSI	GPM	5	5.5	6	6.5	7	7.5	8	8.5	9	9.5	10
20	0.71	52.71	47.9	43.93	40.55	37.66	35.15	32.95	31.01	29.29	27.75	26.35
30	0.87	64.5	58.7	53.83	49.69	46.14	43.07	40.37	38	35.88	34	32.3
40	1	74.25	67.5	61.88	57.11	53.04	49.5	46.04	43.68	41.25	39.08	37.13
50	1.12	82.1	75.5	69.3	63.97	59.4	55.44	51.98	48.92	46.2	43.77	41.58

Gallons Per Minute Formula

$$\frac{\text{GPA} \times \text{MPH} \times \text{W (per nozzle)}}{5,940}$$

Gallons Per Minute Formula

$$\frac{\text{GAL}/1000\text{FT}^2 \times \text{MPH} \times \text{W (per nozzle)}}{136}$$

Gallons Per Acre Formula

$$\frac{5,940 \times \text{GPM (per nozzle)}}{\text{MPH} \times \text{W}}$$

Gallons Per 1000 Square Feet

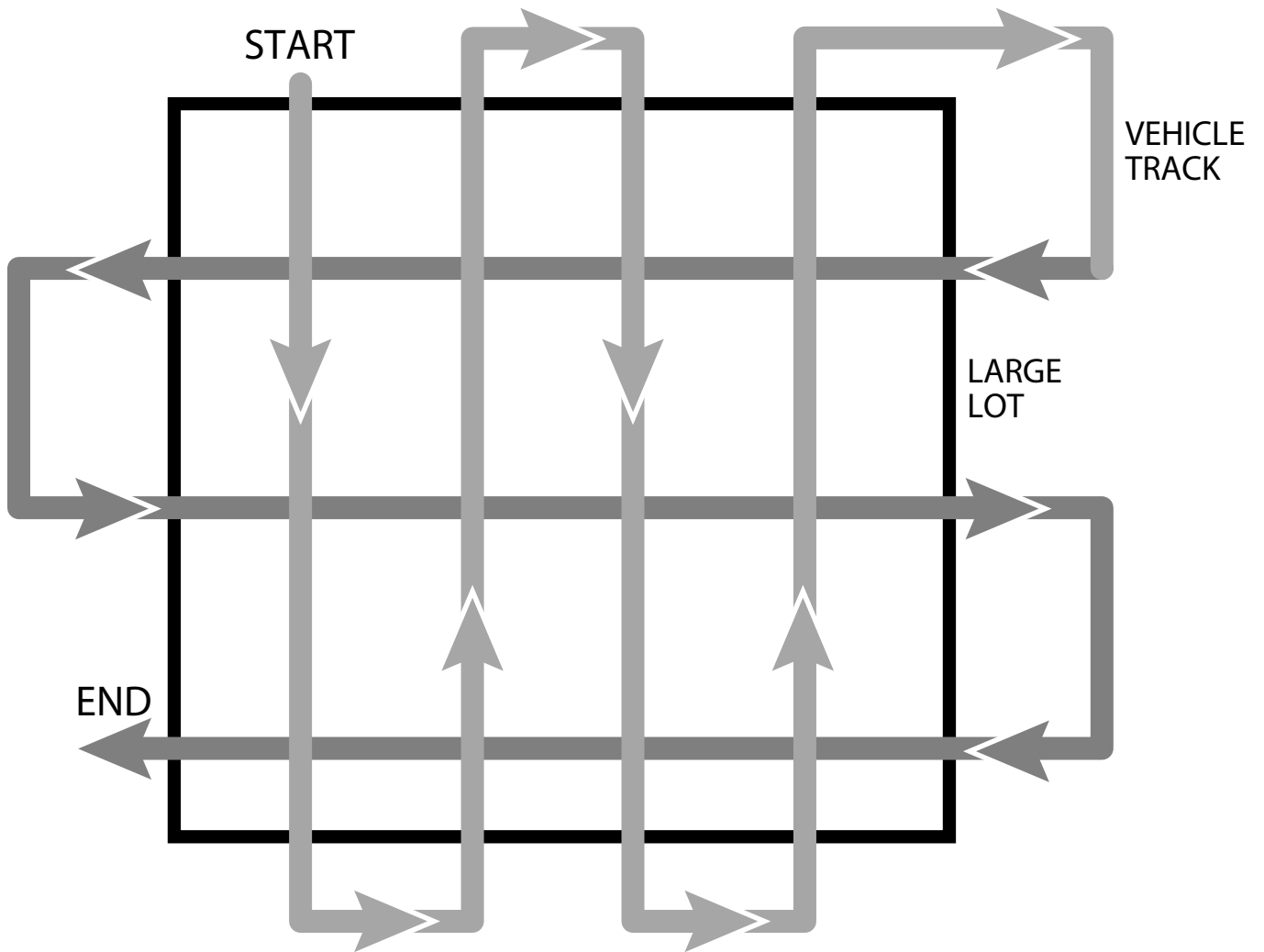
$$\frac{136 \times \text{GPM (per nozzle)}}{\text{MPH} \times \text{W}}$$

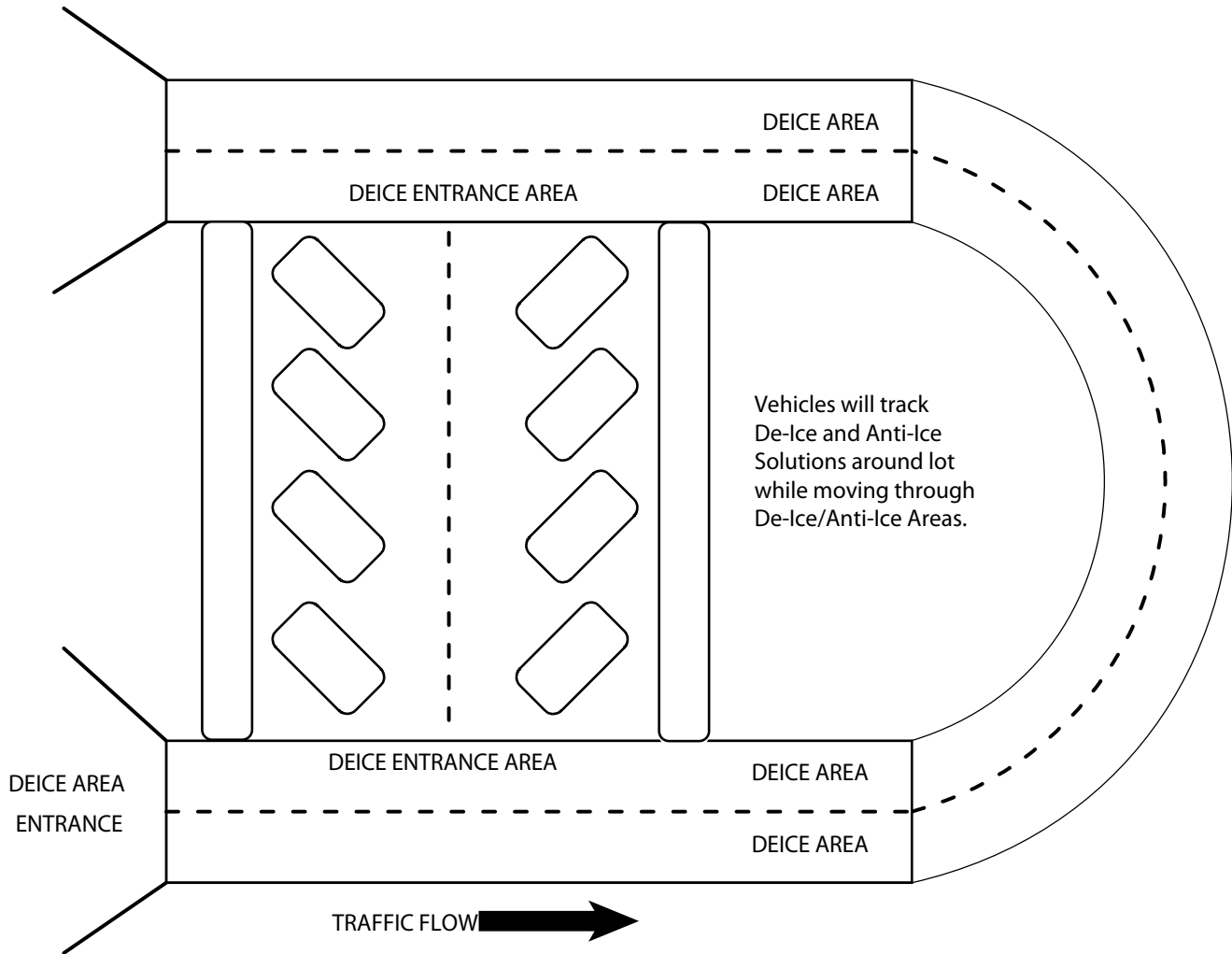
GPM - Gallons Per Minute

GPA- Gallons Per Acre

GAL/1000 FT² - Gallons Per 1000 Square Feet

W - Nozzle spacing





THIS PAGE INTENTIONALLY LEFT BLANK

Clean-Out Instructions



VSS 1000 / 2000 / 3000

Step 1: Disconnect nozzle assemblies at rear of vehicle at Quick-Disconnect point.

Step 2: Make yourself a hose with matching male Quick-Disconnect to hook-up at Quick-Disconnect point.

Step 3: Install hose at Quick-Disconnect point and put the other end in the storage tank.

Step 4: Turn on pump until the tank is empty.

Step 5: Add water and RV antifreeze; mix into tank.

Step 6: Reinstall Quick-Disconnect from nozzle assemblies.

Step 7: Run pump until it is running clear out of each nozzle.

Whenever service is necessary, your local SnowEx Dealer knows your Sprayer best. Take your Sprayer to your local dealer for any maintenance or service needs on your unit. If this is not possible, the Troubleshooting Guide below may assist you in identifying the problem.

Warning: First read all warning instructions and safety messages before servicing your Sprayer.

Preliminary Checks

- Be sure all electrical connections are tight and clean.
- Be sure nothing is obstructing the nozzles.

PROBLEM	POSSIBLE CAUSE	SOLUTION
Pump doesn't run.	Loose electrical connections.	Check all connections.
	Blown Fuse.	Replace fuse.
	Pump Seized.	Replace pump.
Controller shut down.	Poor electrical connections.	Clean or replace connectors. Use dielectric grease.
	Electrical short.	Check electrical connections. Check for bare wires.
	Controller failure.	Replace controller.
Liquid not spraying.	Empty tank.	Fill tank.
	Full strainer.	Clean or replace element.
	Pump not running.	Refer to Problem 1.
	Obstructed nozzle.	Remove and clean.

Limited Warranty

Warranty will be for a period of two years from the date of purchase against defects in material or workmanship under normal use and service, subject to limitations detailed below. Warranty period of two years begins on the date of purchase by the original retail user.

The WARRANTY REGISTRATION CARD must be returned to the manufacturer for this warranty to become effective. This warranty applies to the original retail purchaser only. This warranty does not cover damages caused by improper installation, misuse, lack of proper maintenance, alterations or repairs made by anyone other than authorized Trynex dealers or Trynex personnel. Due to the corrosive properties of the materials dispensed by spreaders, Trynex does not warrant against damage caused by corrosion. Warranty claims by the user must be made to the dealer from where the product was purchased, unless otherwise authorized by Trynex. Trynex reserves the right to determine if any part is defective and to repair or replace such parts as it elects. This warranty does not cover shipping costs of defective parts to or from the dealer.

LIMITATION OF LIABILITY

Neither Trynex, nor any company affiliated with it, makes any warranties, representations for promise as to the performance or quality other than what is herein contained. The liability of Trynex to the purchaser for damages arising out of the manufacture, sale, delivery, use or resale of this spreader shall be limited to and shall not exceed the costs of repair or replacement of defective parts. Trynex shall not be liable for loss of use, inconvenience or any other incidental, indirect or consequential damages, so the above limitations on incidental or consequential damages may not apply to you.

NO DEALER HAS AUTHORITY TO MAKE ANY REPRESENTATION OR PROMISE ON BEHALF OF TRYNEX INTERNATIONAL, OR TO ALTER OR MODIFY THE TERMS OR LIMITATIONS OF THIS WARRANTY IN ANY WAY.

Warranty Registration and Customer Survey



To initiate the warranty on your new SnowEx spreader and assure prompt warranty service, please complete the following warranty registration and customer survey, sign and mail it back to the factory within 30 days of purchase.

1) Date of Purchase: _____

2) Name: _____

Address: _____

Phone: _____

3) SnowEx Model Purchased: _____ Serial Number: _____

4) Is this your first Trynex Spreader? Yes No

5) What type of vehicle are you using with your Spreader?

Make _____ Model _____ Year _____

6) What type of material are you using in your spreader? _____

7) SnowEx Dealer Name: _____

SnowEx Dealer Address: _____

SnowEx Dealer Phone: _____

8) Does your Trynex Dealer stock Trynex replacement Parts? Yes No I don't know

9) Do you feel your Trynex Dealer sold you the correct product for your needs/application? Yes No

10) How would you rate your overall satisfaction with your SnowEx Dealer?

<input type="checkbox"/>	<input type="checkbox"/>	<input type="checkbox"/>	<input type="checkbox"/>	<input type="checkbox"/>	<input type="checkbox"/>
Very Satisfied	Satisfied	Somewhat Satisfied	Somewhat Dissatisfied	Dissatisfied	Very Dissatisfied

11) How would you rate your overall satisfaction with your SnowEx Product?

<input type="checkbox"/>	<input type="checkbox"/>	<input type="checkbox"/>	<input type="checkbox"/>	<input type="checkbox"/>	<input type="checkbox"/>
Very Satisfied	Satisfied	Somewhat Satisfied	Somewhat Dissatisfied	Dissatisfied	Very Dissatisfied

12) Would you purchase another Trynex Product? Yes No

13) If you would like to receive E-Mail ALERTS for new products, bulletins or special promotions please supply address : _____

14) Please use the space below to convey your comments and/or suggestions.

NOTE: I have read the owner's manual and all safety precautions and I understand that this equipment could be dangerous if not operated with care and under the proper conditions.

15) Owner's signature: X _____

PLEASE FOLD AND SEAL WITH TRANSPARENT TAPE BEFORE MAILING.

Warm Up to

SNOWEX 

with a

FREE

Winter Band!



Simply Fill Out Your
Warranty Registration and
Return It to the Factory!

From:



Postage
Required
Post Office will
not deliver
without proper
postage.

TRYNEX 
INTERNATIONAL

531 Ajax Drive
Madison Heights, MI 48071