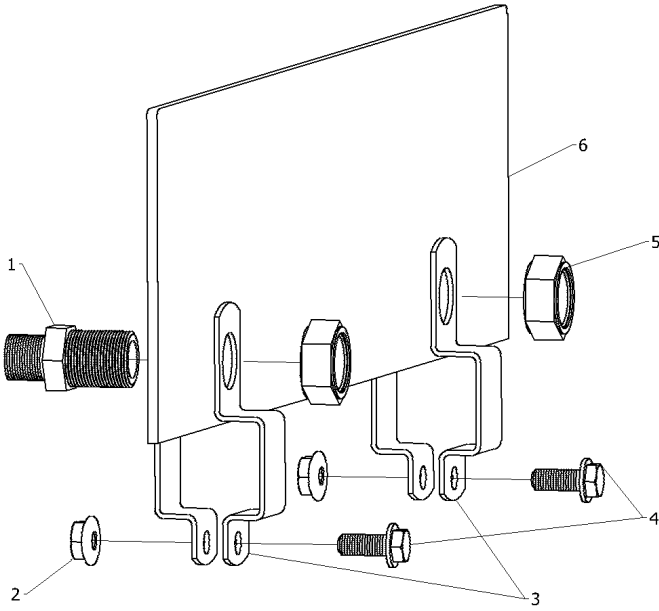


## SPRAYER SCHEMATIC GROUP



| #  | Part#   | Description              |
|----|---------|--------------------------|
| 1  | T454255 | 1/4 MNBT Fitting         |
| 2  | R651216 | 1/4 x 20 Locknut         |
| 3  | T454250 | Boom Clamp, 1"           |
| 4  | P651660 | 1/4-20 x 5/8 Bolt        |
| 5  | T454260 | 1/4 Nylon Nut            |
| 6  | T622105 | Sprayshield Complete     |
| 7  | R466222 | Nozzle Body, 8 PSI       |
| 8  | R466625 | Cap & Gasket, White      |
| 9  | R464724 | Nozzle Strainer, 50 Mesh |
| 10 | R654250 | Cap 1-1/4 x 1 Boot       |
| 11 | R466448 | Diaphragm, Standard      |
| 12 | R466444 | Pressure Cap, 8 PSI      |
| 13 | R466620 | Gasket                   |
| 14 | P000420 | Turbo Flood Jet, 7.5     |
| 15 | P205005 | Nozzle, TF5-V5           |
| 16 | T205010 | High Gear Trim           |
| 17 | T205015 | Low Gear Trim            |

