

# 752N Brass Ball Valve • Spec Sheet

## THREADED



### FEATURES & BENEFITS

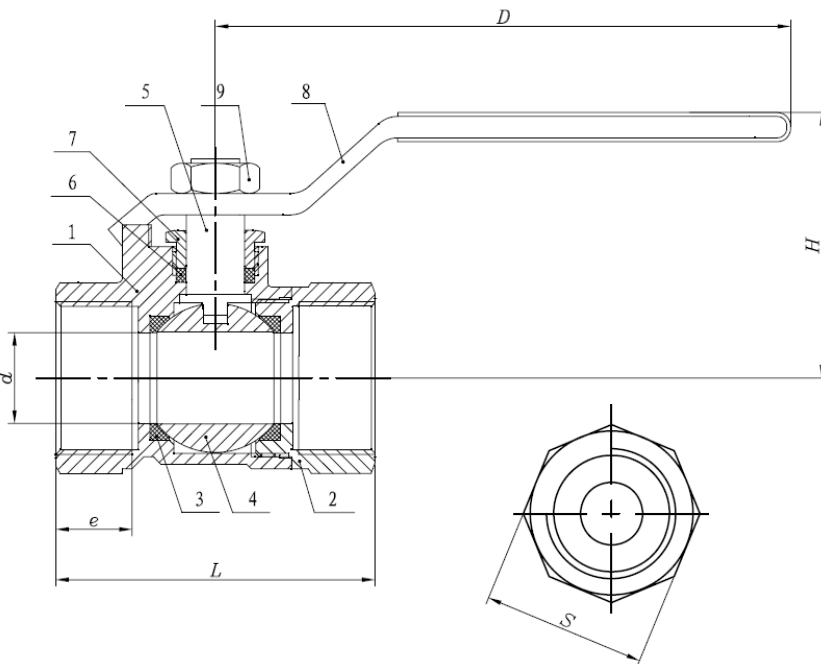
- ISO-9002
- 1/4" – 2" 600 WOG – 150 SWP
- 2-1/2" – 4" 400 WOG – 150 SWP
- Standard Port
- Forged Brass Body
- Blow Out Proof Stem
- PTFE Seats
- Threaded Ends Comply w/ ANSI B2.1
- Conforms to Specifications of MSS-SP-110
- Sizes 1/4" - 4"

### MATERIAL SPECIFICATIONS

No.	Part	Material
1	Body	Brass
2	Bonnet	Brass
3	Seat Seal	PTFE
4	Ball	Brass
5	Stem	Brass
6	Stem Packing	PTFE
7	Gland Nut	Brass
8	Handle	Steel
9	Lock Nut	Steel

### DIMENSIONS

Size	Part # IPS	D	H	L	S	Ød	e
1/4"	752T01N	3.31	1.50	1.68	0.83	0.32	0.39
3/8"	752T02N	3.31	1.50	1.68	0.83	0.32	0.39
1/2"	752T03N	3.31	1.54	1.93	0.99	0.39	0.49
3/4"	752T04N	3.31	1.65	2.21	1.20	0.58	0.53
1"	752T05N	4.71	2.05	2.64	1.50	0.75	0.63
1-1/4"	752T06N	4.71	2.29	3.03	1.81	0.95	0.69
1-1/2"	752T07N	5.42	2.72	3.43	2.09	1.26	0.71
2"	752T08N	5.42	2.88	3.82	2.61	1.50	0.75
2-1/2"	752T09N	9.22	4.41	4.69	3.35	1.97	0.85
3"	752T10N	9.22	4.81	5.63	3.86	2.52	1.02
4"	752T11N	9.22	5.16	6.82	4.89	2.96	1.16



Global sourcing. National compliance. Local service.

**CALIFORNIA** 5595 Fresca Dr., La Palma CA 90623  
**TEXAS** 1150 Silber Rd., Houston TX 77055  
**ILLINOIS** 278 Windy Point Dr., Glendale Heights, IL 60139  
**GEORGIA** 113 Industrial Blvd., Americus, Georgia 31709  
**NEW YORK** PO Box 27, Rt.22, Brewster NY 10509  
 WEB: [www.matco-norca.com](http://www.matco-norca.com)

• Phone: 866-532-8306 • Fax: 866-532-8307  
 • Phone: 800-935-5456 • Fax: 713-680-2999  
 • Phone: 844-412-5068 • Fax: 800-640-2252  
 • Phone: 800-433-7526 • Fax: 800-533-5134  
 • Phone: 800-431-2082 • Fax: 845-278-9056  
 EMAIL: [mail@matco-norca.com](mailto:mail@matco-norca.com)

# 752N Brass Ball Valve • Spec Sheet

CxC

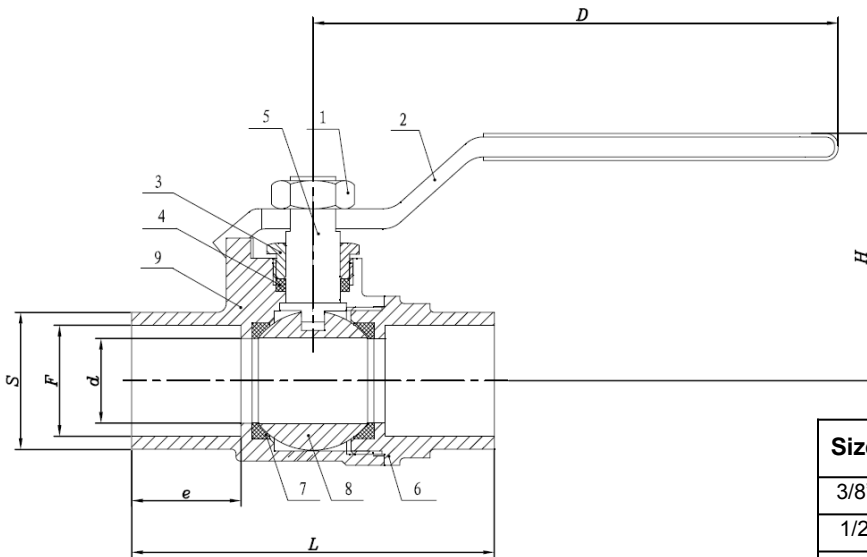


## FEATURES & BENEFITS

- ISO-9002
- 400 WOG - 150 SWP
- Standard Port
- Forged Brass Body
- Blow Out Proof Stem
- PTFE Seats
- Solder Ends Meet ANSI B16.18
- Conforms to Specifications of MSS-SP-110
- Sizes 3/8" - 2"

## MATERIAL SPECIFICATIONS

No.	Part	Material
1	Handle Nut	Steel
2	Lever Handle	Steel
3	Packing Nut	Brass
4	Gland Packing	PTFE
5	Stem	Brass
6	End Cap	Brass
7	Ball Seat	PTFE
8	Ball	Brass
9	Body	Brass



## DIMENSIONS

Size	Part # CxC	D	H	L	ØS	Øf	Ød	e
3/8"	752C02N	3.31	1.50	2.05	0.79	0.50	0.39	0.59
1/2"	752C03N	3.31	1.54	2.05	0.79	0.63	0.39	0.59
3/4"	752C04N	3.31	1.65	2.80	1.04	0.88	0.58	0.89
1"	752C05N	4.71	2.05	3.47	1.32	1.13	0.75	1.10
1-1/4"	752C06N	4.71	2.29	3.90	1.58	1.38	0.95	1.18
1-1/2"	752C07N	5.42	2.72	4.41	1.84	1.63	1.26	1.26
2"	752C08N	5.42	2.88	5.28	2.36	2.13	1.50	1.54



**MATCO-NORCA**

Global sourcing. National compliance. Local service.

**CALIFORNIA** 5595 Fresca Dr., La Palma CA 90623  
**TEXAS** 1150 Silber Rd., Houston TX 77055  
**ILLINOIS** 278 Windy Point Dr., Glendale Heights, IL 60139  
**GEORGIA** 113 Industrial Blvd., Americus, Georgia 31709  
**NEW YORK** PO Box 27, Rt.22, Brewster NY 10509  
 WEB: [www.matco-norca.com](http://www.matco-norca.com)

• Phone: 866-532-8306 • Fax: 866-532-8307  
 • Phone: 800-935-5456 • Fax: 713-680-2999  
 • Phone: 844-412-5068 • Fax: 800-640-2252  
 • Phone: 800-433-7526 • Fax: 800-533-5134  
 • Phone: 800-431-2082 • Fax: 845-278-9056  
 EMAIL: [mail@matco-norca.com](mailto:mail@matco-norca.com)