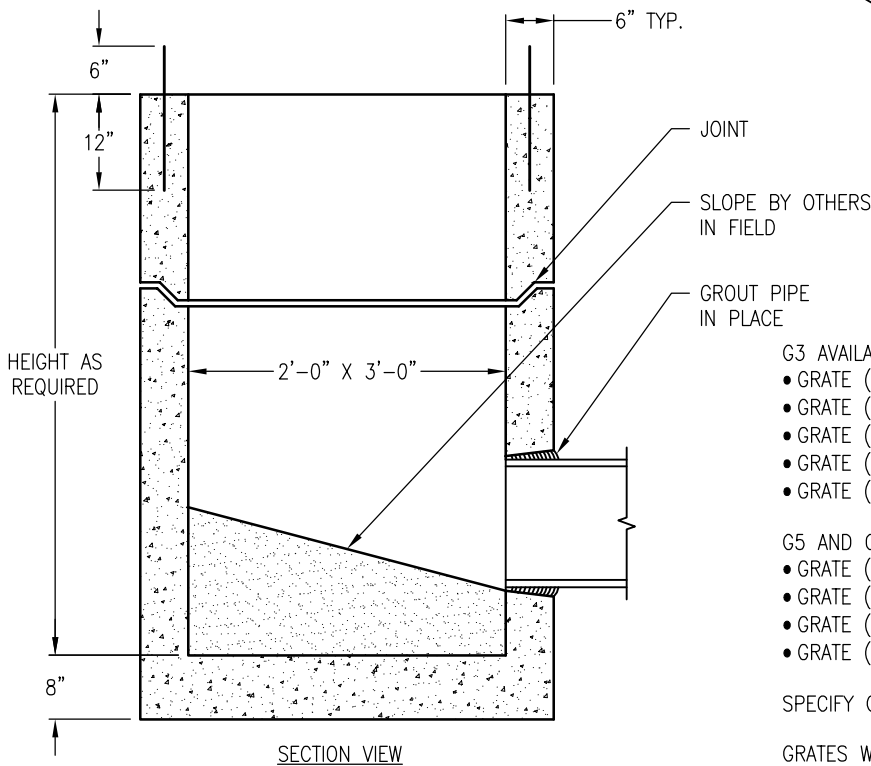
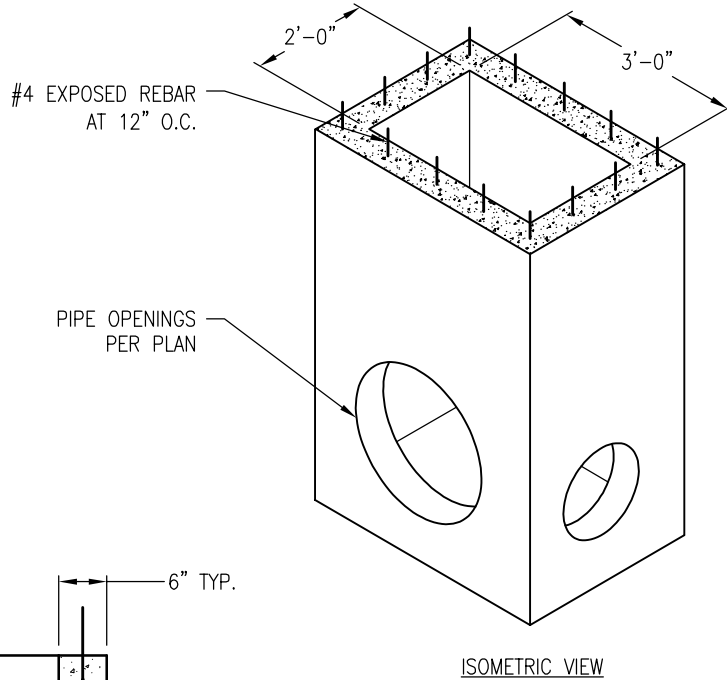


NOTES:

1. MAXIMUM DEPTH FOR G3, G5 & G6 INLETS IS 6'-0" WITH 6" WALLS, PER CALTRANS STANDARD DRAWINGS. SEE TABLE 'A' ON CALTRANS STANDARD DRAWING D-73.
2. STEPS SHALL BE INSTALLED ON ALL INLETS WHERE THE HEIGHT IS 30" OR MORE (NOT SHOWN).
3. G3 GRATE TYPE 24-13 IS SUPPLIED GALVANIZED OR RAW METAL FINISH AS SPECIFIED. ALTERNATE CALTRANS GRATES ARE AVAILABLE ON REQUEST.
4. FRAME AND GRATE SUPPLIED LOOSE FOR CONTRACTOR TO INSTALL IN FIELD.



G3 AVAILABLE GRATES:

- GRATE (24-13) WITH CROSS BARS, WT=141 LBS
- GRATE (24-10S) RETICULINE, WT=182 LBS
- GRATE (24-12X) WITH CROSS BARS, WT=192 LBS
- GRATE (24-12) WITH NO CROSS BARS, WT=326 LBS
- GRATE (24-9) WITH NO CROSS BARS, WT=263 LBS

G5 AND G6 AVAILABLE GRATES:

- GRATE (18-10) WITH CROSS BARS, WT=149 LBS
- GRATE (18-8S) RETICULINE, WT=145 LBS
- GRATE (18-9X) WITH CROSS BARS, WT=187 LBS
- GRATE (18-9) WITH NO CROSS BARS, WT=249 LBS

SPECIFY GALVANIZED OR RAW METAL FINISH

GRATES WITHOUT CROSS BARS ARE IN AREAS WHERE THERE ARE NO BICYCLES OR PEDESTRIANS.

WEIGHT OF FLOOR SLAB = 1,200 LBS
 WEIGHT OF WALLS = 900 LBS/FT

DRAWING MAY NOT CONFORM TO THE MOST CURRENT SPECIFICATION

Oldcastle Precast[®]

Northern California
 Madera ■ Morgan Hill ■ Pleasanton ■ Santa Rosa ■ Stockton ■ Tulare
 Phone: 925-750-6650 Fax: 925-750-6660

TYPE G3, G5 & G6
FILE NAME: CDOT-5.DWG
REVISED: MARCH 2016
www.oldcastleprecast.com

**G3, G5 & G6 W/EX REBAR
 DRAINAGE INLET
 CALTRANS**

Copyright © 2016 **Oldcastle** Precast, Inc.