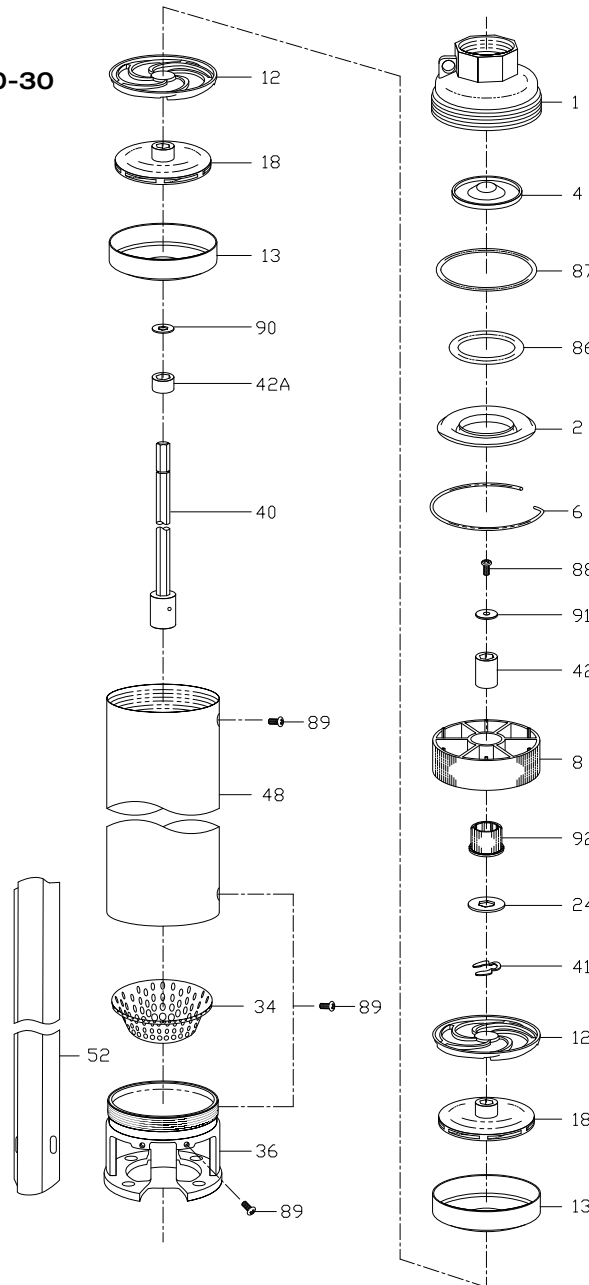


## 4PWP 4" Submersible Pumps



### Parts Designation

4PWP18G05-07-10-15-20-30



1. Discharge
2. Valve casing
4. Valve cone
6. Valve retaining ring
8. Upper bearing ring
10. Bearing spider
12. Diffuser
13. Bowl
18. Impeller
24. Stop ring
34. Strainer
36. Suction interconnector
40. Pump shaft / Coupling
41. Shaft retaining ring
42. Shaft sleeve
- 42A. Shaft sleeve
48. Casing
52. Cable guard
86. O-ring
87. O-ring
88. Screw
89. Screw
90. Washer
91. Washer
92. Bearing

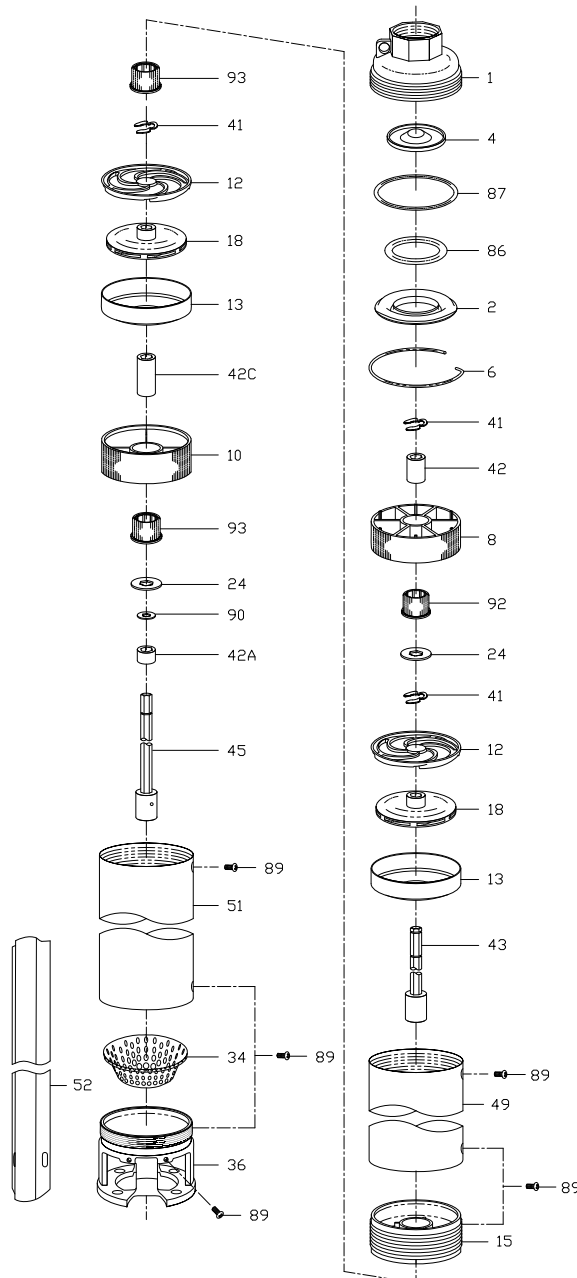
04/26/2013

## 4PWP 4" Submersible Pumps



### Parts Designation

4PWP18G50



1. Discharge
2. Valve casing
4. Valve cone
6. Valve retaining ring
8. Upper bearing ring
10. Bearing spider
12. Diffuser
13. Bowl
15. Intermediate bearing spider
18. Impeller
24. Stop ring
34. Strainer
36. Suction interconnector
41. Shaft retaining ring
42. Shaft sleeve
- 42A. Shaft sleeve
- 42C. Shaft sleeve
43. Upper pump shaft / coupling
45. Lower pump shaft / coupling
49. Upper casing
51. Lower casing
52. Cable guard
86. O-ring
87. O-ring
89. Screw
90. Washer
92. Bearing
93. Bearing

04/26/2013