

PT-HL1-BS-LED Installation Instructions

SAVE THESE INSTRUCTIONS

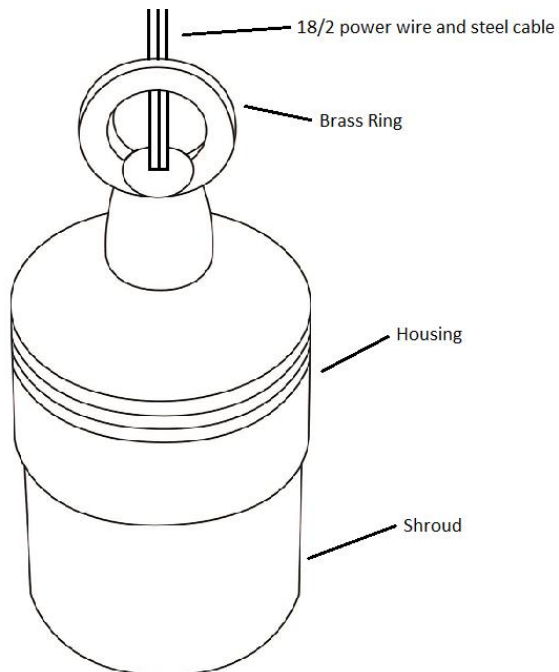
WARNING – TO REDUCE THE RISK OF FIRE OR INJURY TO PERSONS:

- Turn power OFF or unplug fixture and allow it to cool before replacing lamp.
- Lamp gets HOT quickly. Contact only switch/plug when turning on.
- Do not touch hot lens, guard, or fixture housing until it has cooled.
- Keep lamp away from combustibles.
- Do not touch halogen lamp. Use a soft cloth. Oil from skin may damage lamp.

IMPORTANT SAFETY INSTRUCTIONS

- For outdoor use only.
- Make sure the power is turned OFF before installing or servicing this fixture.
- WARNING: Risk of electrical shock. Install all fixtures 10 feet (3.05 m) or more from a pool, spa, or fountain.
- This fixture is to be used with a low voltage power supply that does not exceed 15V.
- Position the wire and wire connector so that is connected within 6 inches (15.2 cm) from a building structure, a fixture or fitting.
- Not to be buried except for a maximum of 6 inches to connect to the main low voltage cable.

WARNING: Luminaires must be installed in accordance with the National Electrical Code (NEC) and local codes. Failure to do so will void the warranty and may result in serious injury and/or damage to the luminaire.



FIXTURE INSTALLATION/REPLACEMENT INSTRUCTIONS

MOUNTING THE FIXTURE:

1. Make sure that power to the transformer from electrical supply is disconnected before installation.
2. Hang luminaire in desired location using stainless steel cable (provided) and brass ring at the top of the fixture. Cable can be cut to desired length.
3. Using UL approved weather resistant wire nuts, connect the 2 wire leads from the fixture to the main low voltage supply cable.

LAMP INSTALLATION:

1. Remove shroud from fixture by un-screwing the shroud in a counter-clockwise direction
2. Install LED lamp by lining up the 2 lamp pins with the holes on the socket and firmly pushing the lamp into the socket. Be careful not to bend or damage lamp pins.
3. Insert optional lens into shroud if desired (see note below). Replace shroud securely to fixture by screwing counter-clockwise direction.
4. Restore power to fixture.

NOTE: An optional glass lens is included with this fixture. This lens is optional for use with the wet location rated LED lamp that is provided with the fixture. However, if a halogen lamp OR an LED lamp that is not wet location rated is installed, this lens is required.