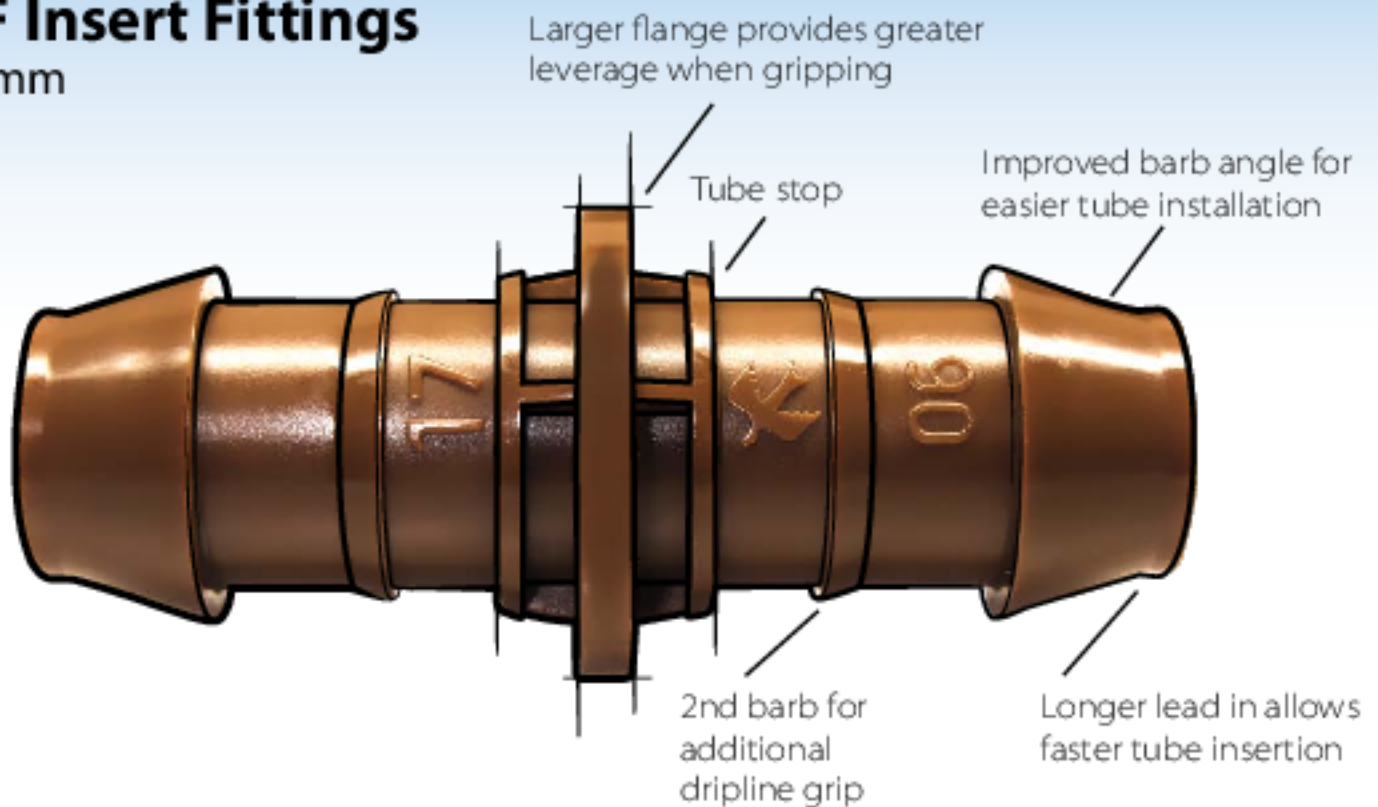




XF Insert Fittings 17mm



Save your hands.

Rain Bird's redesigned 17mm insert fittings can now be installed with 20% less force. Pair that with our new XF Insertion Tool and your hands will thank you.

Durable, Reliable, & Non-Obtrusive. Rain Bird's NEW 17mm Insert Fittings



- Complete line of 17mm insert fittings to simplify installation of XF Series Dripline
- High quality barbs grab tubing for a secure fit
- Unique barb design to reduce insertion force and still retain a secure fit
- Non-Obtrusive colored fittings to compliment natural earth tones.