

PR-HF

PRESSURE REGULATOR - HIGH FLOW

Specifications

The pressure regulator shall be capable of operating at a constant, factory preset, non-adjustable outlet pressure of 10, 15, 20, 25, 30, 40, or 50 PSI (0.69, 1.03, 1.38, 1.72, 2.07, 2.76, or 3.45 bar) with a flow range between 10 - 32 GPM (2271 - 7268 L/hr).

The pressure regulator shall maintain the nominal pressure at a minimum of 5 PSI (0.34 bar) above model inlet pressure and a maximum of 80 PSI (5.52 bar) above nominal model pressure*. Refer to the PRU performance curve to establish specific outlet pressures based on relative inlet pressure and flow rate. Always install downstream from all shut off valves. Recommended for outdoor use only. Not NSF certified.

All pressure regulator models shall be equipped with one of these inlet-x-outlet configurations:

Inlet

- 1-1/4-inch Female National Pipe Thread (FNPT)
- 1-1/4-inch Female British Standard Pipe Thread (FBSPT)

Outlet

- 1-inch Female National Pipe Thread (FNPT)
- 1-1/4-inch Female National Pipe Thread (FNPT)
- 1-inch Female British Standard Pipe Thread (FBSPT)
- 1-1/4-inch Female British Standard Pipe Thread (FBSPT)

The upper housing, lower housing, and internal molded parts shall be of engineering-grade thermoplastics with internal elastomeric seals and a reinforced elastomeric diaphragm. Regulation shall be accomplished by a fixed stainless steel compression spring, which shall be enclosed in a chamber isolated from the normal water passage.

Outlet pressure and flow shall be clearly marked on the outside of each regulator.

The pressure regulator shall carry a two-year manufacturer's warranty on materials, workmanship, and performance. Each pressure regulator shall be water tested for accuracy before departing the manufacturing facility.

The pressure regulator shall be manufactured by Senninger Irrigation in Clermont, Florida. Senninger is a Hunter Industries Company.

Physical

1-1/4" FNPT x 1" FNPT model *(shown on right)*

1-1/4" FBSPT x 1" FBSPT model

Overall Length 5.6 inches (14.1 cm)

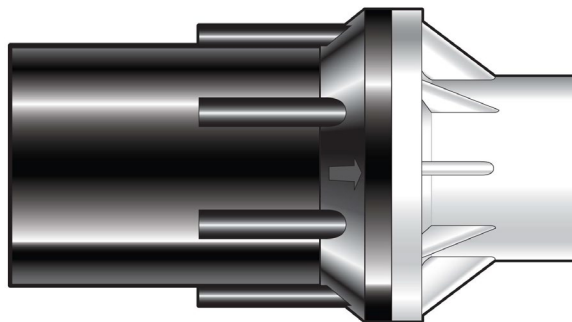
Overall Width 2.9 inches (7.4 cm)

1-1/4" FNPT x 1-1/4" FNPT model

1-1/4" FBSPT x 1-1/4" FBSPT model

Overall Length 5.8 inches (14.7 cm)

Overall Width 2.9 inches (7.4 cm)



* Please consult factory for applications outside of recommended guidelines.



PR-HF

PRESSURE REGULATOR - HIGH FLOW

Model Numbers

Model #	Flow Range	Preset Operating Pressure	Maximum Inlet Pressure
PR-10 HF	10 - 32 GPM (2271 - 7268 L/hr)	10 PSI (0.69 bar)	90 psi (6.20 bar)
PR-15 HF	10 - 32 GPM (2271 - 7268 L/hr)	15 PSI (1.03 bar)	95 psi (6.55 bar)
PR-20 HF	10 - 32 GPM (2271 - 7268 L/hr)	20 PSI (1.38 bar)	100 psi (6.89 bar)
PR-25 HF	10 - 32 GPM (2271 - 7268 L/hr)	25 PSI (1.72 bar)	105 psi (7.24 bar)
PR-30 HF	10 - 32 GPM (2271 - 7268 L/hr)	30 PSI (2.07 bar)	110 psi (7.58 bar)
PR-40 HF	10 - 32 GPM (2271 - 7268 L/hr)	40 PSI (2.76 bar)	120 psi (8.27 bar)
PR-50 HF	10 - 32 GPM (2271 - 7268 L/hr)	50 PSI (3.45 bar)	130 psi (8.96 bar)