

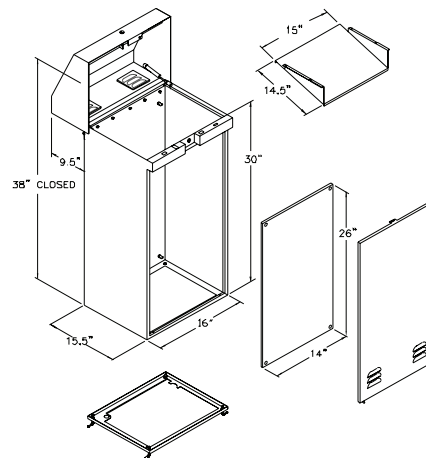
THE ULTIMATE TOP ENTRY ENCLOSURE WEATHER RESISTANT—VANDAL RESISTANT

- 100% stainless steel construction assures long-term, rustproof durability and additional strength
- Three point locking mechanism, flush mounted access handle and heavy duty continuous hinge ensures maximum security
- Removable, predrilled backboard and trays provide for easy installation of controllers
- Chameleon effect of the natural brushed stainless steel finish provides an unobtrusive quality
- 38" height with flip top access provides ease of viewing and programming
- Filtered side louvers at bottom and top allow passive cross flow ventilation
- Mounting template, stainless steel anchors and instructions
- Ten year limited warranty
- NEMA TYPE 3R rated UL Listed
- All stainless steel enclosures may be powder coated in many colors at an additional charge

SB-16SS 16" Wide Enclosure

- 16" Wide, 38" High, 15.5" Deep
- NEMA TYPE 3R Weatherproof
- Three point locking door
- Padlock security provisions
- Mounting template and J bolt anchors
- Standard tray and backboards included

SPECIFICATION ON PAGE 42



SB-22SS 24" Wide Enclosure

- 24" Wide, 38" High, 17" Deep
- NEMA TYPE 3R Weatherproof
- Three point locking door
- Padlock security provisions
- Mounting template and J bolt anchors
- Standard tray and backboards included

SPECIFICATION ON PAGE 42

