

## 570Z & 570S Series Sprinklers Installation Instructions

### 570 Series Sprinkler Specifications

#### Shrub Head Body (570S)

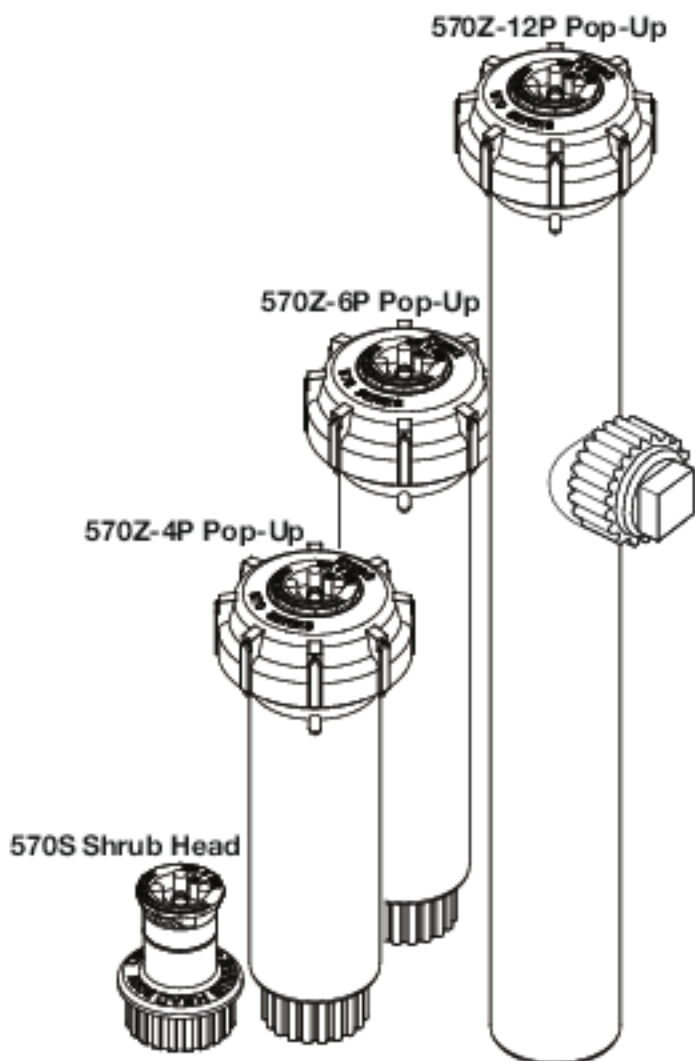
- Inlet: 1/2" I.P.S. Thread
- Maximum Working Pressure: 75 PSI
- Recommended Operating Range: 20–50 PSI

#### 4" & 6" Pop-Up Body (570Z)

- Inlet: 1/2" I.P.S. Thread
- Height: 4 3/4" (4"), 7 1/8" (6")
- Pop-Up: 4", 6"
- Retraction: Positive Spring Retraction
- Maximum Working Pressure: 75 PSI
- Recommended Operating Range: 20–50 PSI
- Side-Inlet Option

#### 12" Pop-Up Body (570Z)

- Inlet: 1/2" I.P.S. Thread
- Height: 16"
- Pop-Up: 12"
- Retraction: Positive Spring Retraction
- Maximum Working Pressure: 75 PSI
- Recommended Operating Range: 20–50 PSI
- Side-Inlet Option



### Nozzle Installation

#### Shrub

1. If loose screen, place the filter screen, closed end first, into the shrub base. If integrated screen, drop the entire nozzle assembly into the riser.
2. Screw nozzle onto the shrub base and hand-tighten.

#### Pop-Up

1. With your little finger, reach down into the riser (threads) and pull up.
2. Grasp the riser above the cap firmly with your thumb and forefinger. Avoid using pliers which may damage the riser.
3. If loose screen, place the filter screen, closed end first, into the riser. If integrated screen, drop the entire nozzle assembly into the riser.
4. Screw the nozzle into the riser and hand-tighten.
5. Release the riser slowly to the fully retracted position.
6. If replacing the complete riser assembly (stem, spring and cap), align the keyways in the riser with the body and screw on the cap. Do not over tighten the cap on the body as removal will be necessary to properly align spray patterns and flush the system.

