

RAIN MASTER® EAGLE™ & EAGLE-i

**6, 12, 18, 24, 30 & 36 STATIONS
OUTDOOR/INDOOR**



The Rain Master Eagle combines classic controller programming with cutting edge features, including optional internet *iCentral*™ control. Connection to the internet is as easy as adding the optional *iCentral* communication kit that provides access to all the *iCentral* control features, such as: Automatic Scheduling, Intelli-Sync™, ZipET™, Smart Alerts™, and remote rain shutdown. Optimized for simplicity, the Eagle is ideal for use by ground maintenance personnel and landscape managers that require a fully-automated, “Smart” ET weather-based irrigation controller.

KEY FEATURES

AUTOMATIC ET SCHEDULE ADJUSTMENT

The ability to use any of four different ET sources as the basis for ET calculations.

CYCLE-AND-SOAK OR CONVENTIONAL START TIMES

Four independently controlled programs with 5 selectable start times for a total of 20 possible cycles per day or Cycle-and-Soak with unlimited start times.

DIRECT FLOW SENSING PROTECTS AGAINST BROKEN HEADS AND MAIN LINES

Monitors system flow and responds to upper, lower, unscheduled and no-flow conditions.

VALVE WIRING FAULTS DETECTED

Automatic field wire detection enables the controller to sense a short in the field wire and instantly turn off that station.

OPTIONAL INTERNET CONTROL

Internet-based control offers many powerful advantages. No software to purchase, no weather station and minimal to no training.

100% SWAT APPROVED

ADDED FEATURES

Water Saving Features

- Evapotranspiration (ET) based scheduling.
- Flow sensing and control.
- Percentage adjustment on a per program basis (1%-300%, in 1% increments) to allow an increase or decrease of all station runtimes within that program.
- Programmable rain shut off in order to delay the start of irrigation after a rain storm.
- Manual rain switch (automatic watering – no watering).
- Connectivity for any one of the following: rain, moisture or freeze sensor device.
- Selectable cycle-and-soak or conventional start times on a per-program basis.

Diagnostic and Fault Detection

- Automatic field wire fault detection enables the controller to sense a short in the field wire and instantly turn off that station.
- Non-volatile memory to retain the program(s) and controller information during power outages or seasonal shut downs.
- Intelligent resumption of program execution after power outages to ensure that program starts are not lost.

Convenience Features

- Keyboard layout is easy to understand and use; provides ease of use during programming and review.
- During program execution the controller displays the executing program number, the flow in GPM, and the station runtime countdown in hours, minutes and seconds.
- Programmable Controller Security Access code to prevent unauthorized use or modifications to the controller's program.

Flow Capabilities

- Automatic detection of main line water breaks.
- Automatic detection of unscheduled or no-flow water conditions.
- Automatic high-flow station alarm.
- Controller utilizes automatic LEARN mode for setting individual station flow limits.
- Intelligent flow-limit processing for concurrent station operation.
- Water usage meter indicates total water used by the controller.

EVAPOTRANSPIRATION (ET) FEATURES OF THE IRRITROL® RAIN MASTER® EAGLE™

- The ability to input and store Historical ET data on a monthly basis (12 months).
- The ability to use any one of four different ET sources as the basis for its ET calculations:
 1. Historical ET data
 2. Manually-entered ET data
 3. Rain Master ET measurement device or equivalent
 4. Downloaded ET data from the Internet (requires optional *iCentral* hardware)
- The ability to automatically re-compute station runtime, utilizing the current ET information.
- Ability to display the current adjusted runtime as a percent of the base runtime for all ET-enabled programs.

OPERATING SPECIFICATIONS

- Four independently controlled irrigation programs.
- Water days for each program can be based on a seven-day cycle, a skip-by-day cycle or odd/even water days.
- Programmable master valve to utilize and control a master valve on a per-program basis.
- Configurable master valve type to select either a normally open or a normally closed master valve.
- Programmable pump, independent of the master valve on a per-program basis.
- Programmable stacking or non-stacking operation of the programs.

ELECTRICAL SPECIFICATIONS

- Input power required: 105-130 V ac, 50/60 Hz, 0.5 amp maximum, 1 amp idle.
- Output power required: 24 V ac 1.5 amps maximum total output or (36 VA) 1 amp per station or master valve.
- UL, CUL, and FCC approved

DIMENSIONS

- **EG model:**
H: 10", W: 13", D: 4½"
- **EG-B & SB model:**
H: 17½", W: 13", D: 4½"
- **SPED model:**
H: 34", W: 16", D: 16"

OPTIONS

- Ability to connect to an Irritrol Rain Master Communication card (*iCentral*™ card) to provide connectivity to the Internet.
- Ability to interface with an Irritrol Weather Station for direct ET measurements.
- Ability to connect directly to an Irritrol flow sensor or other flow sensor devices.
- Availability in a variety of enclosure options.
- All extended size enclosures are available with optional heavy duty lightning protection.
- Built-in remote control capability with Irritrol Pro Max™ Remote.

SPECIFYING INFORMATION

MODEL	# OF STATIONS	OPTIONAL iCENTRAL	ENCLOSURE	SURGE PROTECTION	NETWORK	ANTENNA
RME	6-36*	i	W,B,SB,SPED	T	1,2,3**	L, D

* Station count in 6-station increments
** Network must be qualified for each specific site

W = Small painted wall mount
B = Large painted wall mount
SB = Large stainless wall mount
SPED = Stainless-steel security pedestal

T = Surge protection
i = *iCentral*
L = LP antenna
D = Disc antenna

EAGLE EXAMPLE: A 24-station Rain Master™ Eagle™ in a large stainless wall mount enclosure and surge protection would be specified as **RME24EG-SB-T**

EAGLE WITH iCENTRAL EXAMPLE: A 36-station Rain Master™ Eagle™ with *iCentral*, in a small painted wall mount enclosure with surge protection, qualified network 3, and LP antenna would be specified as **RME36EGi-B-T-3L**

OPTIONAL INTERNET-BASED IRRIGATION CONTROL

RAIN MASTER® EAGLE™-i FEATURING *iCENTRAL*™

The Irritrol Rain Master *iCentral* software is one of the most comprehensive and affordable web-based water management systems on the market. It allows wireless central control for one or more Rain Master Eagle-i Series field controllers. The *iCentral* website utilizes reliable, real-time 2-way wireless communication from the internet to interface with each field controller and provides alert notifications for a variety of system conditions. An entire irrigation system, no matter how large, can be managed and accessed anywhere using the online *iCentral* software.



RAIN MASTER – *iCENTRAL* FEATURES

- Automatic Irrigation Scheduler (AIS) determines the optimal irrigation schedule based on seasonal, site-specific parameters: irrigation efficiency, soil texture, plant type, slope, precipitation, etc.
- Intelli-Sync™ - Intelligent synchronization monitors changes made at the controller and allows the *iCentral* operator to accept or reject the entry.
- ZipET™ Just enter the local zip code once, and local weather information is automatically sent to each controller every day.
- PDA access to *iCentral* via the internet (Windows® Mobile).
- Smart Alerts™ are sent by *iCentral* for all field alarms generated when a "fault" occurs; text messages are sent to cell phone and/or email address.
- Automatic initiation of "rain shutdown" to all controllers if *iCentral* determines that precipitation in a designated area necessitates a shutdown.
- Automatically modifies irrigation schedules based upon daily ET, as well as plant watering requirements.
- Variety of reports are available to show online and field activity, permitting detailed analysis of your system's efficiency.

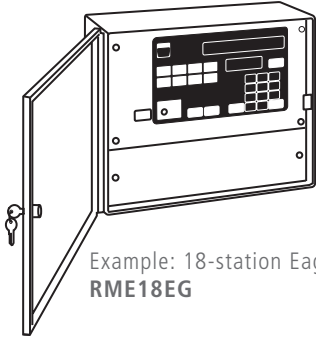
ANNUAL WATER SAVINGS *



*Depicted annual water savings only. Individual site water savings may vary depending on programming and operational characteristics, as well as site conditions.

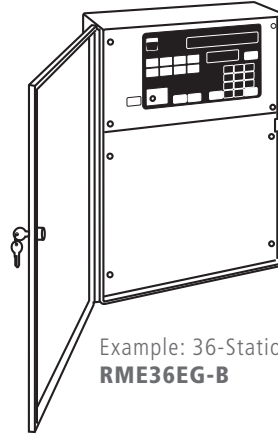
IRRITROL® RAIN MASTER® EAGLE™ SERIES ENCLOSURE OPTIONS

- **W SERIES**
Standard



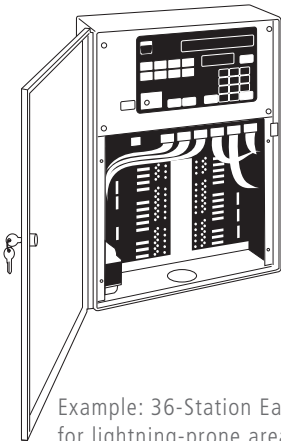
Example: 18-station Eagle
RME18EG

- **B SERIES (Painted)**
SB SERIES (Stainless)
Expanded size field wiring cavity



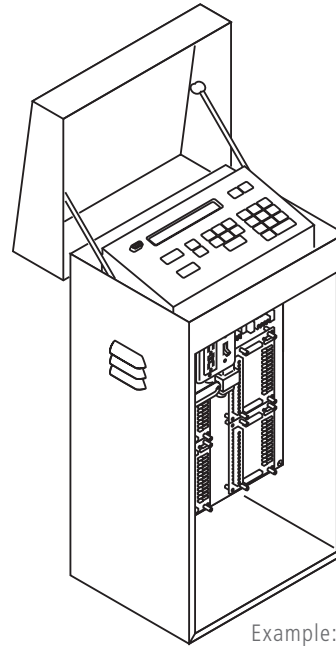
Example: 36-Station Eagle (large box)
RME36EG-B

- **T SERIES**
Heavy-duty lightning/surge protection



Example: 36-Station Eagle (recommended
for lightning-prone areas)
RME36EG-T

- **SPED SERIES**
14-gauge stainless-steel security pedes-



Example: 24-Station Eagle
RME24EG-SPED