

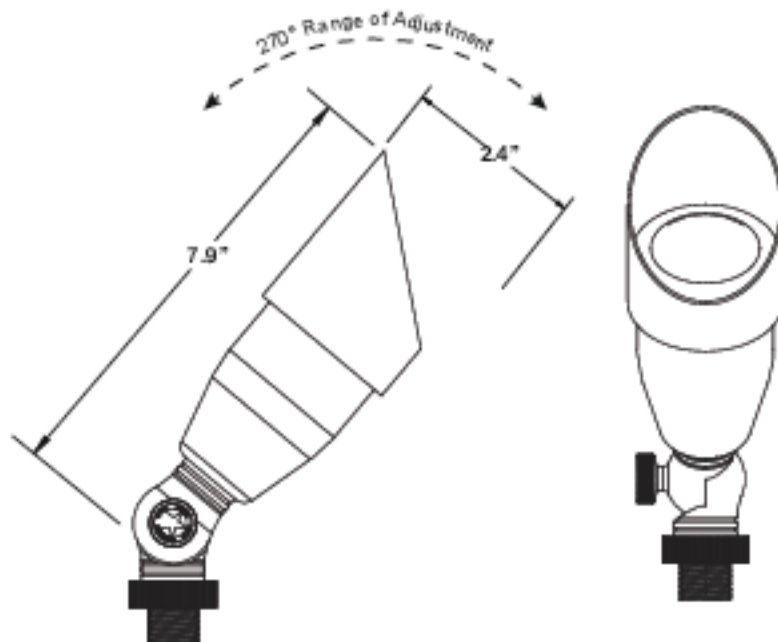
UNIQUE LIGHTING SYSTEMS®

Guardian
Up Light
Knights Series



PRODUCT SPECIFICATIONS

PROJECT:	
MODEL #:	
LAMP(S):	
NOTES:	

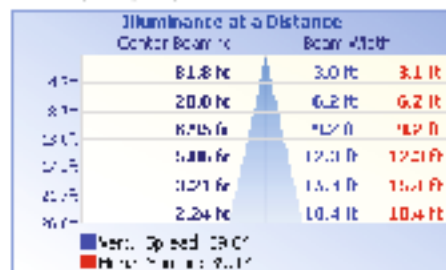


Specifications:

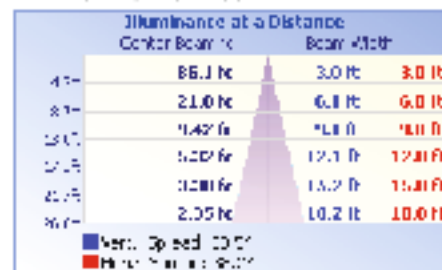
- Solid copper construction
- Machined brass thumb screw
- High temperature LED *FLEX-FIT™* gasket
- Specification grade, beryllium copper socket
- Premium grade direct burial cable
- 8W max. LED lamp / 35W max. halogen
- Gravity mounting stake included
- Natural copper finish standard
- Satin copper finish standard
- 15 year warranty

Light Distribution Cones:

LED-8W-CM6FL27K



LED-8W-CM6FL30K



NOTE: Light cones are depicted without supplied lenses. Maximum wattage shown, for all other wattage options please refer to uniquelighting.com/beamspreads.



UL 2108:2004 R12.07
CSA C22.2 9.0-96 (R2006)

Unique Lighting Systems® reserves the right to modify the design and/or construction of the fixture shown without further notification.

© Unique Lighting Systems® • 5825 Jasmine Street, Riverside, CA 92504 • Customer Service - 800.955.4831 • Order Services - 800.654.1882

www.uniquelighting.com