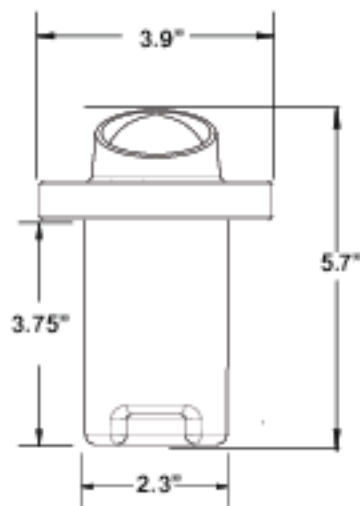
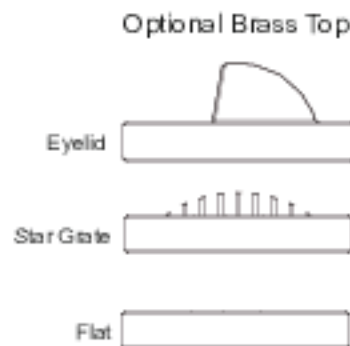


PRODUCT SPECIFICATIONS

PROJECT:	
MODEL #:	
LAMP(S):	
NOTES:	



Eyelid = 5.5" Overall height
Star Grade = 4.8" Overall height
Flat = 4.5" Overall height

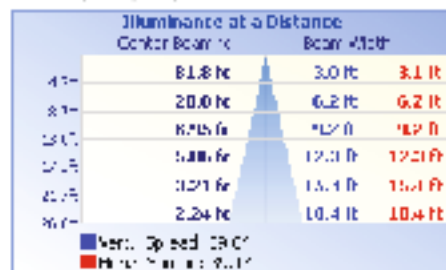


Specifications:

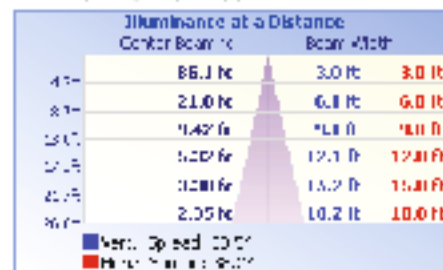
- Solid cast brass and composite construction
- High temperature silicone o-rings
- Specification grade, beryllium copper socket
- Premium grade direct burial cable
- AMC - Anti-Moisture Connections
- 8W max. LED lamp / 20W max. halogen
- Large PBT sleeve included
- Weathered brass finish standard
- 15 year warranty

Light Distribution Cones:

LED-8W-CM6FL27K



LED-8W-CM6FL30K



NOTE: Light cones are depicted without supplied lenses. Maximum wattage shown, for all other wattage options please refer to uniquelighting.com/beamspreads.



UL 2108:2004 R12.07
CSA C22.2 9.0-96 (R2006)

Unique Lighting Systems® reserves the right to modify the design and/or construction of the fixture shown without further notification.