



**PROFESSIONAL  
OUTDOOR LIGHTING**

Type:

Model:

Project:

## SPECIFICATION SHEET

### MODEL 5105 Landscape Series • Up & Accent Lights

#### FIXTURE SPECIFICATIONS:

##### HOUSING:

Die-cast, copper-free aluminum.

##### FINISH:

Durable powder coat finish available in Black, Architectural Bronze, Dark Bronze, Granite, White, Architectural Brick, Light Bronze, Special Bronze, Glossy Gray, Rust, Hunter Green, Weathered Bronze, Weathered Iron, Graphite Metallic, Verde, Pewter, Mocha and Olde Finish. Custom Powder coat finishes available on request.

##### LENS:

Frosted, tempered, shock and heat resistant, soda-lime glass lens.

##### LAMP TYPE:

LED Lamp Only - 2W, 3W & 4W (3W is standard). Color temperature available in W-Warm (3000K), N-Neutral (4000K), C-Cool (5000K).

##### ELECTRICAL:

Input voltage range 9 - 15V AC regulated to achieve uniform illumination throughout the cable run of fixtures. Integral surge & reverse polarity protection.

##### MOUNTING:

Injection-molded composite adjustable knuckle with 1/2" NPS stem. Fixture may be mounted into threaded hubs in junction boxes, ground stakes (GR), tree mountboxes (TR), or mounting canopies (WR).

##### FASTENERS:

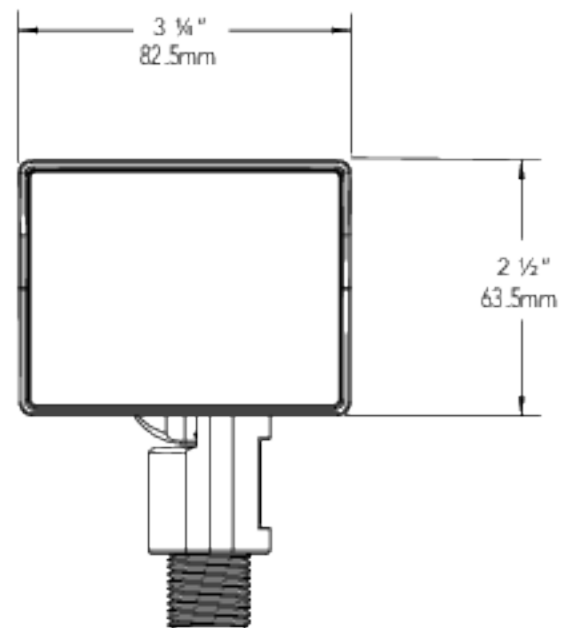
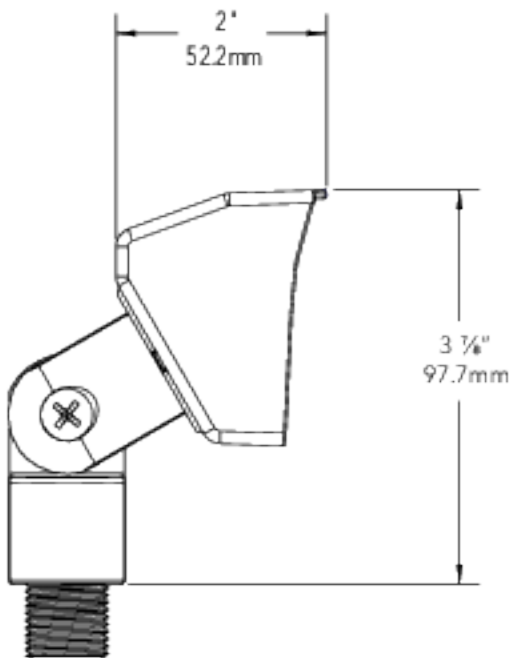
All fasteners are stainless steel.

##### WIRING:

Prewired with a three-foot pigtail of 18-2 direct-burial cable and underground connectors for a secure connection to supply cable.

All Vista luminaires are **MADE IN U.S.A.**

#### DIMENSIONS:



*Vista Professional Outdoor Lighting reserves the right to modify the design and/or construction of the fixture shown without further notification.*