



PROFESSIONAL
OUTDOOR LIGHTING

Type: _____

Model: _____

Project: _____

SPECIFICATION SHEET

MODEL TM-150 Landscape • Accessories • Tree Mount Junction Box

SPECIFICATIONS:

HOUSING:

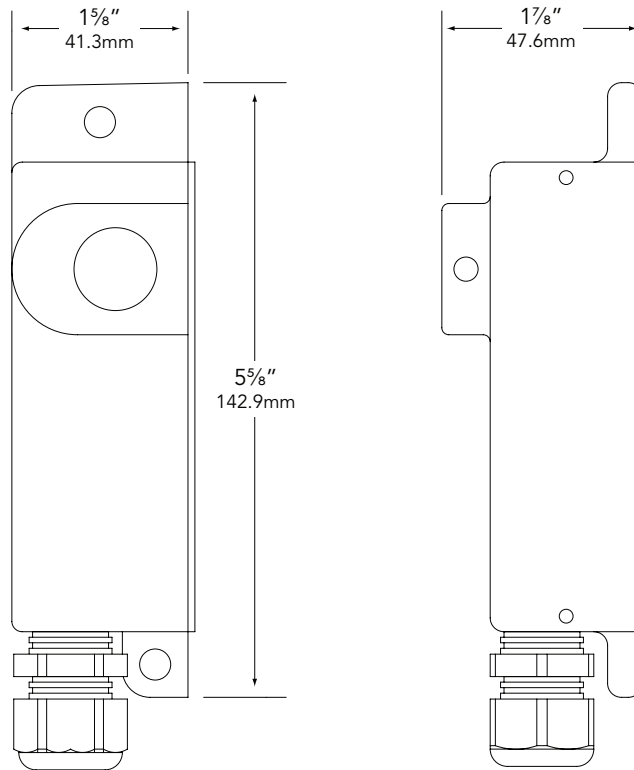
Die-cast, copper-free aluminum with 1/2" FPT for fixture mounting.
Stainless steel lag screws and hex nuts included.

FINISH:

Polyester powder-coat finish available in Black, Verde, Architectural Brick, Architectural Bronze, Light Bronze, Dark Bronze, Granite, Pewter, Terracotta, Rust, Hunter Green, Mocha, Weathered Bronze, Weathered Iron, White and Special Bronze.

All Vista accessories are **MADE IN THE U.S.A.**

DIMENSIONS:



Vista Professional Outdoor Lighting reserves the right to modify the design and/or construction of the fixture shown without further notification.



SPECIFICATION SHEET

MODEL TM-150 Landscape • Accessories • Tree Mount Junction Box

ORDERING INFORMATION

TO ORDER FIXTURE: Select appropriate choice from each column as in the following example.

EXAMPLE: TM-150-B

MODEL	FINISH
TM-150	B - Black G - Verde BR - Architectural Brick Z - Architectural Bronze LZ - Light Bronze DZ - Dark Bronze GT - Granite P - Pewter TC - Terracotta R - Rust HG - Hunter Green M - Mocha WB - Weathered Bronze WI - Weathered Iron W - White SB - Special Bronze

Vista Professional Outdoor Lighting reserves the right to modify the design and/or construction of the fixture shown without further notification.