



**PROFESSIONAL
OUTDOOR LIGHTING**

Type:

Model:

Project:

SPECIFICATION SHEET

MODEL 2102 Landscape Series • Brass & Copper • Up & Accent Lights

FIXTURE SPECIFICATIONS:

HOUSING:

Heavy-gauge, brass housing fitted to a precision CNC-machined, solid brass base. A solid copper lens-retaining flange and high temperature, color-coordinated silicone seal – provides a superior weather-tight seal.

FINISH:

Olde Brass

LENS:

Clear, tempered, shock and heat-resistant, soda-lime glass lens.

LAMP TYPE:

MR-11 LED Lamp Only - 36° Flood, 2.5W is standard.

Optics:

Available in 15° Narrow Spot, 25° Spot, 36° Flood, or 60° Wide Flood distributions.

MOUNTING:

Injection-molded composite adjustable knuckle with 1/2" NPS thread. Fixture may be mounted into threaded hubs in junction boxes, ground stakes (GR), tree mount boxes (TR), or mounting canopies (WR).

FASTENERS:

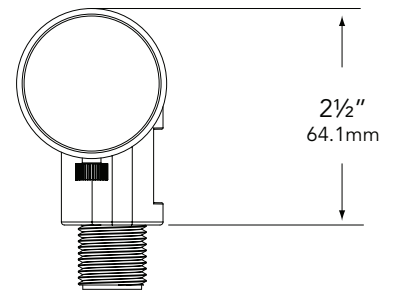
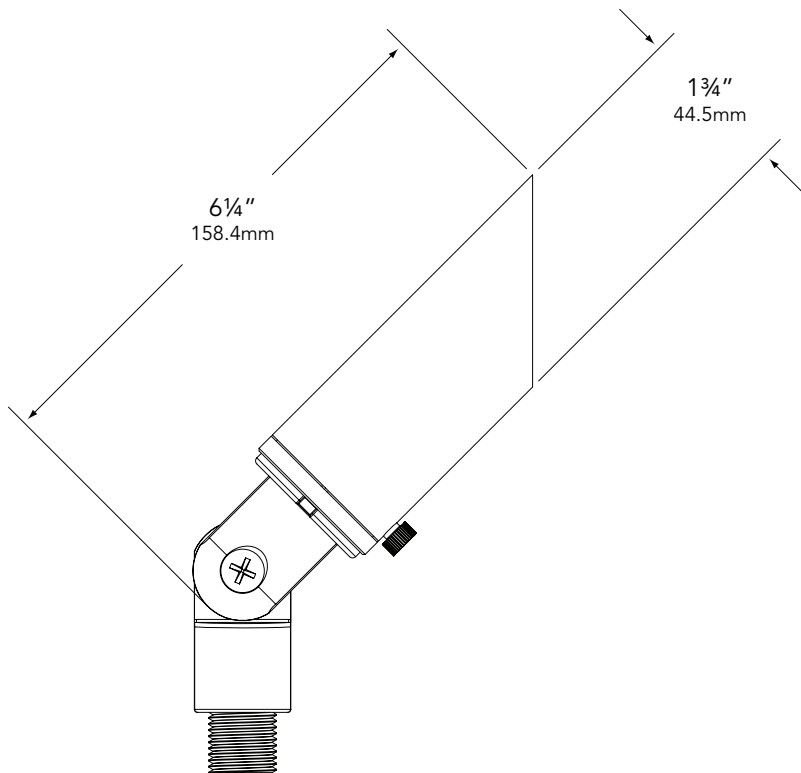
All fasteners are stainless steel & brass.

WIRING:

Prewired with a 36" pigtail of 18-2 direct-burial cable and underground connectors for a secure connection to supply cable.

All Vista luminaires are **MADE IN U.S.A.**

DIMENSIONS:



Vista Professional Outdoor Lighting reserves the right to modify the design and/or construction of the fixture shown without further notification.



SPECIFICATION SHEET

MODEL 2102 Landscape Series • Brass & Copper • Up & Accent Lights

FIXTURE ORDERING INFORMATION

TO ORDER FIXTURE: Select appropriate choice from each column as in the following example.

EXAMPLE: GR-2102-BSO-2.5-W-25-FR

MOUNTING	MODEL	FINISH	WATTAGE	COLOR TEMP	DISTRIBUTION	ACCESSORIES
GR- ABS ground stake WR- Wall-mount canopy TR- Tree-mount junction box	2102	BSO - Olde Brass	2.5	W - Warm	15 - 15° Narrow Spot 25 - 25° Spot 36 - 36° Flood 60 - 60° Wide Flood	FR - Frosted Lens BL - Flat Cool Blue Lens SL - Flat Spread Lens DBL - Flat Dark Blue Lens GL - Flat Dark Green Lens RL - Flat Red Lens YL - Flat Amber Lens HL - Honeycomb Louver

Fixtures shipped with standard lamp, unless otherwise specified.
Fixtures shipped with specified mounting hardware.