



**PROFESSIONAL  
OUTDOOR LIGHTING**

Type:

Model:

Project:

## SPECIFICATION SHEET

### MODEL 3105 Landscape Series • Up & Accent Lights

#### FIXTURE SPECIFICATIONS:

**HOUSING:**

Die-cast, copper-free aluminum.

**SHROUD:**

Die-cast, copper-free aluminum fitted to housing with a closed-cell molded silicone gasket – providing a superior weather-tight seal. Door is designed to shed water from the lens surface.

**FINISH:**

Durable powder coat finish available in Black, Architectural Bronze, Dark Bronze, Granite, White, Architectural Brick, Light Bronze, Special Bronze, Glossy Gray, Rust, Hunter Green, Weathered Bronze, Weathered Iron, Graphite Metallic, Verde, Pewter, Mocha and Olde Finish. Custom Powder coat finishes available on request.

**LENS:**

Clear, tempered, shock and heat-resistant, soda-lime glass lens.

**LAMP TYPE:**

LED Lamp Only - Cree® MT-G2 High Density Array (HDA) driven at 4.5-watts, 9.5-watts, or 13-watts. Color temperature available in 27 - (2700K), W - Warm (3000K), 35 - (3500K), N - Neutral (4000K), C - Cool (5000K).

**ELECTRICAL:**

Input voltage range 9 - 15V AC.

**OPTICS:**

Available in VNS - Very Narrow Spot, SP - Spot, MF - Medium Flood, or WF - Wide Flood.

**MOUNTING:**

Injection-molded composite adjustable knuckle with 1/2" NPS thread. Fixture may be mounted into threaded hubs in junction boxes, ground stakes (GR), tree mount boxes (TR), or mounting canopies (WR).

**FASTENERS:**

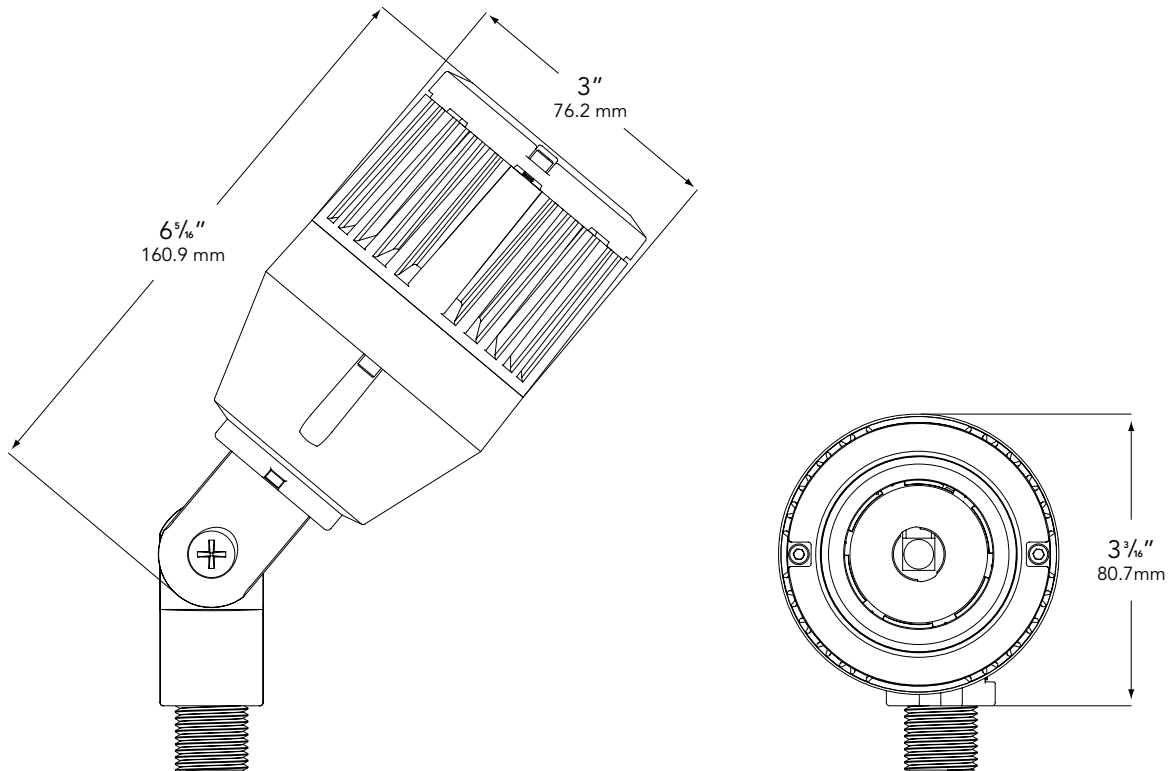
All fasteners are stainless steel.

**WIRING:**

Prewired with a 36" pigtail of 18-2 direct-burial cable and underground connectors for a secure connection to supply cable.

All Vista luminaires are **MADE IN U.S.A.**

#### DIMENSIONS:



Vista Professional Outdoor Lighting reserves the right to modify the design and/or construction of the fixture shown without further notification.



# SPECIFICATION SHEET

## MODEL 3105 Landscape Series • Up & Accent Lights

### FIXTURE ORDERING INFORMATION

TO ORDER FIXTURE: Select appropriate choice from each column as in the following example.

**EXAMPLE: GR-3105-B-4.5-W-SP**

MOUNTING	MODEL	FINISH	WATTAGE	COLOR TEMP	DISTRIBUTION	ACCESSORIES
<b>GR-</b> ABS ground stake <b>WR-</b> Wall-mount canopy <b>TR-</b> Tree-mount J-box	3105	Standard	4.5	27 - 2700K	<b>VNS</b> - Very Narrow Spot <b>SP</b> - Spot <b>MF</b> - Medium Flood <b>WF</b> - Wide Flood	<b>BD</b> - Barn Doors <b>FS</b> - Full Light Shield <b>HS</b> - Half Light Shield <b>HL</b> - Honeycomb Louver <b>5</b> - 5' Wire Lead
		B - Black	9.5	W - Warm		
		Z - Architectural Bronze	13	35 - 3500K		
		DZ - Dark Bronze		N - Neutral		
		GT - Granite		C - Cool		
		W - White				
		Premium				
		BR - Architectural Brick				
		LZ - Light Bronze				
		SB - Special Bronze				
GG - Glossy Gray						
R - Rust						
HG - Hunter Green						
WB - Weathered Bronze						
WI - Weathered Iron						
GM - Graphite Metallic						
Hand Finished						
G - Verde						
P - Pewter						
M - Mocha						
OF - Olde Finish						

**NOTE:**  
\* If fixture to be used with Extended Arm Mount (EAM) - must order with extended wire length

Fixtures shipped with standard lamp, unless otherwise specified.  
Fixtures shipped with specified mounting hardware.

### LUMEN OUTPUT PACKAGES



Beam Spread	4.5	9.5	13
<b>VNS</b>	4.5 Watts 135 Lumens	9.5 Watts 214 Lumens	13 Watts 269 Lumens
<b>SP</b>	4.5 Watts 364 Lumens	9.5 Watts 566 Lumens	13 Watts 738 Lumens
<b>MF</b>	4.5 Watts 321 Lumens	9.5 Watts 487 Lumens	13 Watts 711 Lumens
<b>WF</b>	4.5 Watts 332 Lumens	9.5 Watts 542 Lumens	13 Watts 686 Lumens

Vista Professional Outdoor Lighting reserves the right to modify the design and/or construction of the fixture shown without further notification.