



**PROFESSIONAL  
OUTDOOR LIGHTING**

Type: \_\_\_\_\_

Model: \_\_\_\_\_

Project: \_\_\_\_\_

# SPECIFICATION SHEET

## MODEL 5240 Landscape Series • In-Ground & Well Lights

### FIXTURE SPECIFICATIONS:

**HOUSING:**

Black silicone rubber lamp holder suspended inside a 5" black ABS well.

**FINISH:**

Available in Black only.

**SOCKET/LAMP HOLDER:**

Socket not required. Fixture supplied with high-temperature rated screw terminal spade connectors.

**LENS:**

Lens cover ordered separately, but not required.

**LAMP TYPE:**

PAR-36 – 50W maximum. LNH-7558 (20W) Standard.

**OPTICS/AIMING:**

Adjustable lamp bracket provides up to ±25° of tilt as well as 360° rotation of housing for precise beam control. Lamp bracket can be locked into place to prevent disrupting lamp position when relamping. Housing bracket within ABS well provides up to ±45° of tilt in addition to lamp bracket.

**MOUNTING:**

In-grade. Mounting accessories not required.

**FASTENERS:**

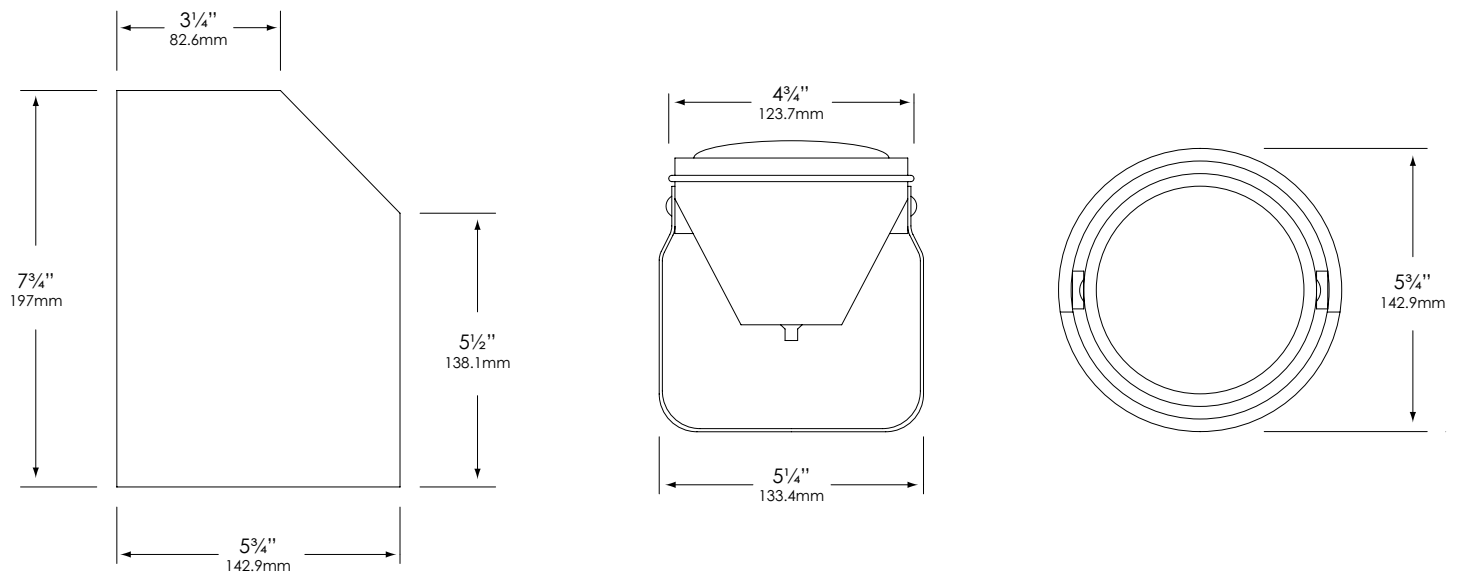
All fasteners are stainless steel.

**WIRING:**

Prewired with a three-foot pigtail of 18-2 direct-burial cable and underground connectors for a secure connection to supply cable.

All Vista luminaires are [MADE IN U.S.A.](#)

### DIMENSIONS:



Vista Professional Outdoor Lighting reserves the right to modify the design and/or construction of the fixture shown without further notification.



# SPECIFICATION SHEET

## MODEL 5240 Landscape Series • In-Ground & Well Lights

### FIXTURE ORDERING INFORMATION

TO ORDER FIXTURE: Select appropriate choice from each column as in the following example.

**EXAMPLE: GW-5240-B-7558-CBL**

MOUNTING	MODEL	FINISH	LAMP	ACCESSORIES
GW - In-grade	5240	B - Black	7558 - 20W  PAR-36 Halogen 50W Maximum LNH-7558 (20W) Standard  <i>(Please see lamp order code column on lamp guide, Vista product catalog.)</i>	CL - Clear tempered lens cover DL - Directional Grate cover BD - Bidirectional Grate cover

Fixtures shipped with standard lamp, unless otherwise specified.  
Fixtures shipped with specified mounting hardware.