

Type: _____
 Model: _____
 Project: _____

SPECIFICATION SHEET

MODEL: 6500 - 12V Series: Path & Spread Lights

FIXTURE SPECIFICATIONS:

HOUSING:

Die-cast, copper-free aluminum.

STEM:

1/4" schedule-40 aluminum pipe with 1/2" NPT custom bushing designed with a stress-dispersing collar, to provide strength and stability for mounting.

FINISH:

Polyester powder-coat finish available in Black, Dark Bronze, Granite, White, Architectural Brick, Light Bronze, Special Bronze, Glossy Grey, Rust, Hunter Green, Weathered Bronze, Weathered Iron, Graphite Metallic, Verde, Pewter, Mocha and Olde Finish.

SOCKET/LAMP HOLDER:

Top grade ceramic socket with nickel contacts, stainless steel springs, and Teflon-jacketed wire leads.

LENS:

Clear, high-impact, polycarbonate lens.

LAMP TYPE:

T3 – 20W maximum. LN-10 T3 Halogen (10W) Standard.

MOUNTING:

Bottom of stem threaded with 1/2" NPT. Fixture may be mounted into threaded hubs in junction boxes, ground stakes, or floor-mounting canopies. Please see fixture ordering information for mounting selection.

FASTENERS:

All fasteners are stainless steel.

WIRING:

Prewired with a three-foot pigtail of 18-2 direct-burial cable and underground connectors for a secure connection to supply cable.

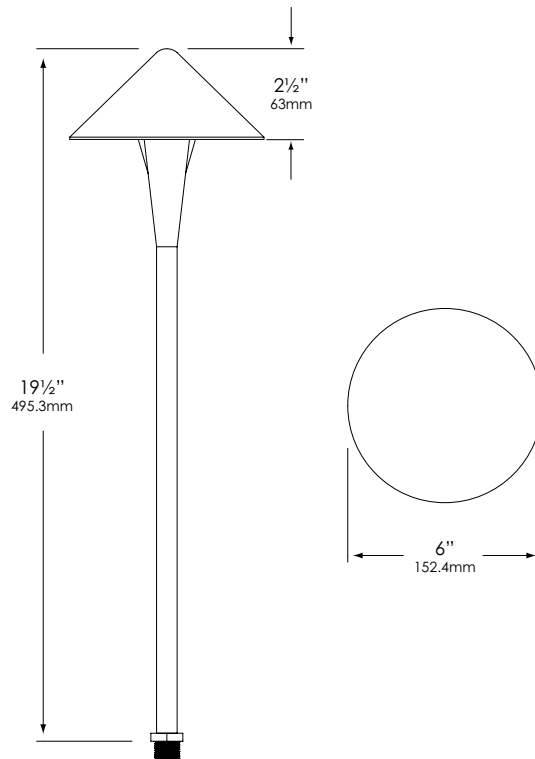
CERTIFICATION:

UL Listed to U.S. and Canadian safety standards for low voltage landscape luminaires (UL 1838). Maximum wattages allowed by Underwriters Laboratories (UL) for U.S. and Canadian markets may vary. Maximum wattages specified are Underwriters Laboratories U.S. standard. Please contact Vista for any questions about maximum wattages allowed by UL Canadian standards.

All Vista luminaires are **MADE IN U.S.A.**

This fixture is also available as a LED luminaire. Please refer to LED Specification Sheet - 6500-LED.

DIMENSIONS:



Vista Professional Outdoor Lighting reserves the right to modify the design and/or construction of the fixture shown without further notification.

SPECIFICATION SHEET

MODEL: 6500 - 12V Series: Path & Spread Lights

FIXTURE ORDERING INFORMATION

TO ORDER FIXTURE: Select appropriate choice from each column as in the following example

EXAMPLE: PR-6500-B-10T3

| MOUNTING | MODEL | FINISH | LAMP |
|-----------------------|-------|--|--|
| PR - ABS ground stake | 6500 | Standard | 10T3 - 10W |
| | | B - Black DZ - Dark Bronze GT - Granite W - White | T3 Halogen 20W Maximum LN-10 T3 Halogen (10W) Standard |
| | | Premium | 2.5-W-T3 |
| | | BR - Architectural Brick LZ - Light Bronze SB - Special Bronze GG - Glossy Gray R - Rust HG - Hunter Green WB - Weathered Bronze WI - Weathered Iron GM - Graphite Metallic | LNT3-2.5-W-G-LED W-LB2ND - Warm 2.5W N-LB2ND - Neutral 2.5W C-LB2ND - Cool 2.5W |
| | | Hand Finished | W-LB5ND - Warm 5W N-LB5ND - Neutral 5W C-LB5ND - Cool 5W |
| | | G - Verde P - Pewter M - Mocha OF - Olde Finish | (Please see lamp order code column on lamp guide, Vista product catalog.) |
| | | | |

Fixtures shipped with standard lamp, unless otherwise specified.

Fixtures shipped with specified mounting hardware.