



WARMING TRENDS BURNERS

BURNERS | PLATES | PANS | ACCESSORIES | MEDIA

REV: 01/05/26

LITERATURE

Item No	Description	Retail
ERFG	Emilyrose Media	N/C
WT-LOOKBOOK	Warming Trends Look Book	N/C
WTTRI	Warming Trends Tri-Fold	N/C
WTTRI-IGN	WT Ignition Systems Tri-Fold	N/C



SCAN QR CODE
FOR LINK TO
WARMING TRENDS
RESOURCES WEBPAGE



SCAN QR CODE
FOR LINK TO
WARMING TRENDS
INSTALLATION MANUAL

TABLE OF CONTENTS

WARMING TRENDS

- Circular & Square Plates 4
- Circular & Square Pans..... 5
- Original & Octagon Burners..... 6
- Rectangle Plates..... 8
- Rectangle Pans..... 9
- Tree-Style & Double Tree Burners..... 10
- H-Style & Linear Burners..... 11
- Ignition Kits 12
- Outdoor Fireplace Burners 18
- Firestorm Steel Log 21

ACCESSORIES

- Media..... 15
- Fire Pit Covers 16
- Wind Guards 20
- Media Calculator..... 22

Visit: <https://go.empiredistributing.net/outdoor-catalog> for current pricing.

Warming Trends Products Available to Authorized Dealers only, call for details. P: 585.492.2780



BURNERS, PANS & IGNITION SYSTEMS



UNIVERSAL BURNER KITS

WARMING TRENDS®

READY-TO-FINISH FIRE PIT KITS



AON FIRE TABLES



Visit all of our Warming Trends sections to see everything Warming Trends has to offer. Not just burners and pans, but also complete Universal Paver Kits, Ready-to-Finish Fire Pit Kits, and new Aon Fire Tables.

WARMING TRENDS[®]



TWICE THE FLAME



ALL BRASS COMPONENTS



LIFETIME WARRANTY

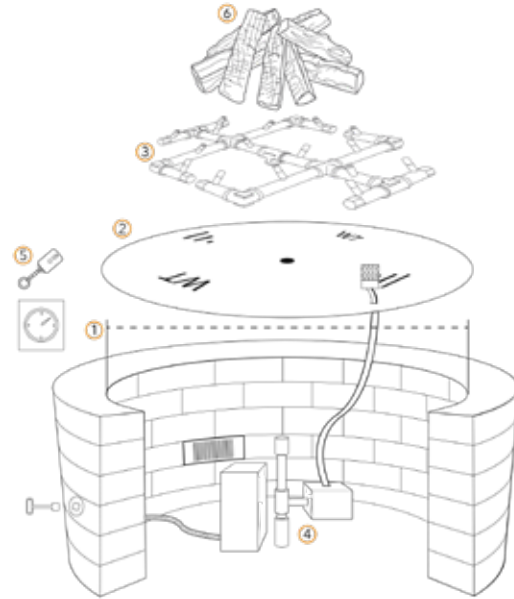


MADE IN THE USA

WT BURNERS

Six Easy Steps to Purchasing

1. Measure the opening of your fire pit.
2. Choose the corresponding Plate or Pan size. (Pans come standard with a 2" welded sidewall.)
3. Choose Burner and Fuel Type. (Natural Gas or Liquid Propane)
4. Choose your Ignition System: match lit, push button, mercury, or electric on/off switch.
5. Choose Electronic Add-Ons: remote control options, dial timers, and emergency stops.
6. Complete the look with Accessories: ceramic logs, lava rock, volcanic stone or fire glass.



When ordering aluminum plates, please specify the exact size plate you would like for your project. Each plate is specifically cut for each order. Please allow 48 hours for shipping.

Standard Ring Burner with 180k BTU's

CFB180 CROSFIRE[®] Brass Burner with 180k BTU's



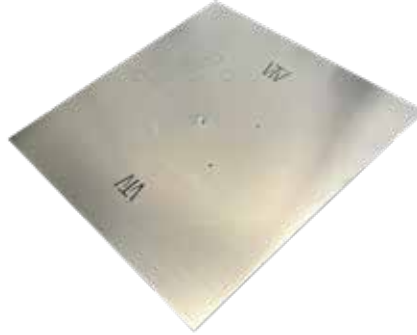
PLATES

Select a Warming Trends Plate or Pan, Crossfire™ Burner (see pages 6-7) and Ignition Kit (see pages 12-13) to make a complete burner system. Add your Media/Logs (see page 15).

Warming Trends heavy duty aluminum mounting plates provide a solid surface to support your burner and media choice.



Circular Plate



Square Plate

NOTE: It is recommended to incorporate 1 vent on at least two opposing sides (2 vents total) at a minimum size of 18 sq. inches each (Example: 3" x 6" or larger). Installation of the vents in the mid to lower area of the enclosure is recommended. Always consult with local municipality regarding any local code requirements. See page 14 for Vent Kit, item number FPVK.

PLATES

Item # - Circular	Item # - Square	Description	Lava Rock [§] (Max Weight) (Circular/Square)	Retail
ALPL18C	ALPL18S	18" Plate	20/25 lbs.	\$120
ALPL24C	ALPL24S	24" Plate	40/45 lbs.	\$232
ALPL29.25C	-	29.25" Plate	60/- lbs.	\$378
ALPL30C	ALPL30S	30" Plate	60/70 lbs.	\$310
ALPL35.5C	-	35.50" Plate	80/- lbs.	\$570
ALPL36C	ALPL36S	36" Plate	80/100 lbs.	\$467
ALPL42C	ALPL42S	42" Plate	110/140 lbs.	\$624
ALPL48C	ALPL48S	48" Plate	145/180 lbs.	\$802
ALPL60C	ALPL60S	60" Plate	225/280 lbs.	\$1,228

CUSTOM PLATES - CUT TO FIT

(Note: Cut to Fit plates are not returnable. Recommended 1/2" narrower than actual opening.)

Item # - Circular	Item # - Square	Description	Lava Rock [§] (Max Weight) (Circular/Square)	Retail
ALPL1218C	ALPL1218S	12.00" - 17.99" Plate	20/25 lbs.	\$181
ALPL1824C	ALPL1824S	18.01" - 23.99" Plate	40/45 lbs.	\$296
ALPL2430C	ALPL2430S	24.01" - 29.99" Plate	60/70 lbs.	\$378
ALPL3036C	ALPL3036S	30.01" - 35.99" Plate	80/100 lbs.	\$570
ALPL3642C	ALPL3642S	36.01" - 41.99" Plate	110/140 lbs.	\$684
ALPL4248C	ALPL4248S	42.01" - 47.99" Plate	145/180 lbs.	\$860
ALPL4860C	ALPL4860S	48.01" - 59.99" Plate	225/180 lbs.	\$1,321
ALPLCUST	ALPLCUST	Custom Plate (We can manufacture any custom shape or size.)		Call Empire

§ Fireglass or Lava Stones = 2x Lava Rock Max Weight

INSTALLATION COLLAR

Installation collars provide support for the aluminum plate, allowing for any size plate to be used for a range of sizes. Order multiples depending on the size of the fire pit.

Item #	Description	Retail
COLLAR	19" Universal Flexible Installation Collar (3" Range)	\$32
COLLARF	19" Flexible No Drill Collar (4" Range)	\$34



COLLAR



COLLARF

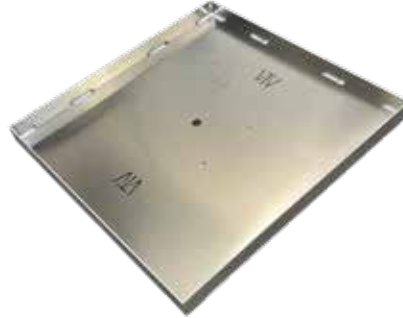
PANS

Select a Warming Trends Plate or Pan, Crossfire™ Burner (see pages 6-7) and Ignition Kit (see pages 12-13) to make a complete burner system. Add your Media/Logs (see page 15).

Using the Warming Trends heavy duty aluminum mounting pan with 2" sidewalls will provide a solid surface to support your burner and media choice.



Circular Pan
with 2" Sidewall



Square Pan
with 2" Sidewall

NOTE: It is recommended to incorporate 1 vent on at least two opposing sides (2 vents total) at a minimum size of 18 sq. inches each (Example: 3"x 6" or larger). Installation of the vents in the mid to lower area of the enclosure is recommended. Always consult with local municipality regarding any local code requirements. See page 14 for Vent Kit, item number FPVK.

PANS (with 2" Sidewalls)

Item # - Circular	Item # - Square	Description	Lava Rock [§] (Max Weight) (Circular/Square)	Retail
ALPAN18C	ALPAN18S	18" Pan	20/25 lbs.	\$269
ALPAN24C	ALPAN24S	24" Pan	40/45 lbs.	\$339
ALPAN30C	ALPAN30S	30" Pan	60/70 lbs.	\$427
ALPAN36C	ALPAN36S	36" Pan	80/100 lbs.	\$598
ALPAN42C	ALPAN42S	42" Pan	110/140 lbs.	\$749
ALPAN48C	ALPAN48S	48" Pan	145/180 lbs.	\$923
ALPAN60C	ALPAN60S	60" Pan	225/280 lbs.	\$1,353

CUSTOM PANS - CUT TO FIT (with 2" Sidewalls)

(Note: Cut to Fit pans are not returnable. Recommended 1/2" narrower than actual opening.)

Item # - Circular	Item # - Square	Description	Lava Rock [§] (Max Weight) (Circular/Square)	Retail
ALPAN1218C	ALPAN1218S	12.00" - 17.99" Pan	20/25 lbs.	\$315
ALPAN1824C	ALPAN1824S	18.01" - 23.99" Pan	40/45 lbs.	\$386
ALPAN2430C	ALPAN2430S	24.01" - 29.99" Pan	60/70 lbs.	\$476
ALPAN3036C	ALPAN3036S	30.01" - 35.99" Pan	80/100 lbs.	\$674
ALPAN3642C	ALPAN3642S	36.01" - 41.99" Pan	110/140 lbs.	\$805
ALPAN4248C	ALPAN4248S	42.01" - 47.99" Pan	145/180 lbs.	\$978
ALPAN4860C	ALPAN4860S	48.01" - 59.99" Pan	225/280 lbs.	\$1,436
ALPANCUST	ALPANCUST	Custom Pan (We can manufacture any custom shape or size.)		Call Empire

Note: Taller sidewalls and top lips available for Special Order.

§ Fireglass or Lava Stones = 2x Lava Rock Max Weight

INSTALLATION COLLAR

Installation collars provide support for the aluminum pan. Order multiples depending on the size of the fire pit.



Video Link
Plate vs Pan

Item #	Description	Retail
COLLAR	19" Universal Flexible Installation Collar (3" Range)	\$32
COLLARF	19" Flexible No Drill Collar (4" Range)	\$34



COLLAR



COLLARF

ORIGINAL & OCTAGON BURNERS

Select a Warming Trends Plate or Pan (see pages 4-5), Crossfire™ Burner and Ignition Kit (see pages 12-13) to make a complete burner system. Add your Media/Logs (see pages 15).

ORIGINAL



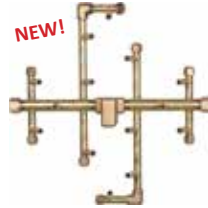
CFB60
7 3/4" L x 5 3/8" D



CFB84
7 3/4" L x 5 3/8" D



NEW!
U100
11 3/4" L x 10 1/2" D



NEW!
U140
13 1/2" L x 13 1/2" D



NEW!
U180
17 3/4" L x 15 1/2" D



CFB240^W
18 3/4" L x 21 1/2" D



CFB290^W
21 3/4" L x 21 1/2" D



CFB300
31" L x 31 3/4" D



CFB350
31" L x 31 3/4" D



CFB450^W
47 3/4" L x 46" D

OCTAGON



CFBO140^W
10 3/4" L x 13 3/4" D



CFBO360^W
29 1/2" L x 27 1/2" D

The Warming Trends® Patent-Pending CROSSFIRE® Brass Burner utilizes cutting-edge technology to produce a taller, brighter, full flame, replicating a natural, wood burning fire – all while consuming less gas. Made from corrosion resistant and sustainable brass, CROSSFIRE® Brass Burners will not rust and come with a lifetime warranty. All burners are manufactured and assembled in the United States.

Select a Warming Trends Plate or Pan (see pages 4-5), Crossfire™ Burner and Ignition Kit (see pages 12-13) to make a complete burner system. Add your Media/Logs (see pages 15).

ORIGINAL BURNERS

Item # - NG	Item # - LP	Burner BTU	Minimum Fire Pit Opening	Inlet	Retail
CFB60NG	CFB60LP	60,000	17"	1/2"	\$299
CFB84NG	CFB84LP	84,000	17"	1/2"	\$340
NEW U100	U100	100,000	18"	1/2"	\$465
NEW U140	U140	140,000	24"	1/2"	\$649
NEW U180	U180	180,000	30"	1/2"	\$780
CFB240NG ^W	CFB240LP ^W	240,000	30"	1/2"	\$897
CFB290NG ^W	CFB290LP ^W	290,000	36"	1/2"	\$1,077
CFB300NG	CFB300LP	300,000	40"	3/4"	\$1,253
CFB350NG ^W	CFB350LP	350,000	40"	3/4"	\$1,442
CFB450NG ^W	CFB450LP ^W	450,000	54"	3/4"	\$2,252
CFBCUSTNG*	CFBCUSTLP*	Custom BTU Burner - Custom Size and Shape			Call Empire

OCTAGON BURNERS

Item # - NG	Item # - LP	Burner BTU	Minimum Fire Pit Opening	Inlet	Retail
CFBO140NG ^W	CFBO140LP ^W	140,000	18"	1/2"	\$809
CFBO360NG ^W	CFBO360LP ^W	360,000	42"	3/4"	\$1,907
CFBOCUSTNG*	CFBOCUSTLP*	Custom BTU Burner - Custom Size & Shape			Call Empire

*Special Order - Orders shipping direct from Warming Trends in Colorado, actual freight charges will apply.

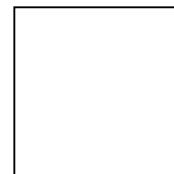
Call Empire Distributing for quote on Custom Burner.

- For outdoor/exterior use only.
- Modification of product will void any certification and warranty.
- Follow all installation instructions and local codes.
- Recommended to be installed by a certified plumbing professional.
- All dimensions are true and reflect Warming Trends' specifications as of the revision date.

^W - Burner includes Waterstop feature.



ORIGINAL VS. OCTAGONAL
BURNER VIDEO



NEW UNIVERSAL BURNER

The Warming Trends® Patent-Pending CROSSFIRE® Brass Burner utilizes cutting-edge technology to produce a taller, brighter, full flame, replicating a natural, wood burning fire – all while consuming less gas. Made from corrosion resistant and sustainable brass, CROSSFIRE® Brass Burners will not rust and come with a lifetime warranty. All burners are manufactured and assembled in the United States.

RECTANGLE PLATES

Select a Warming Trends Rectangle Plate or Pan, Crossfire™ Tree-Style, Double Tree, H-Style, or Linear Burner (see pages 10-11) and Ignition Kit (see pages 12-13) to make a complete burner system. Add your Media/Logs (see pages 15).

Warming Trends heavy duty aluminum mounting plates provide a solid surface to support your burner and media choice.



Rectangle Plate

NOTE: It is recommended to incorporate 1 vent on at least two opposing sides (2 vents total) at a minimum size of 18 sq. inches each (Example: 3"x 6" or larger). Installation of the vents in the mid to lower area of the enclosure is recommended. Always consult with local municipality regarding any local code requirements. See page 14 for Vent Kit, item number FPVK.

RECTANGLE PLATES - CUT TO FIT (Note: Cut to Fit plates are not returnable.)

Item #	Description	Cut Range Length	Cut Range Width	Retail
ALPL3618	Aluminum Rectangle Plate	24" - 36"	6" - 18"	\$341
ALPL3624	Aluminum Rectangle Plate	24" - 36"	18" - 24"	\$441
ALPL4818	Aluminum Rectangle Plate	36" - 48"	6" - 18"	\$441
ALPL4824	Aluminum Rectangle Plate	36" - 48"	18" - 24"	\$525
ALPL4832	Aluminum Rectangle Plate	36" - 48"	24" - 32"	\$670
ALPL6018	Aluminum Rectangle Plate	48" - 60"	6" - 18"	\$541
ALPL6024	Aluminum Rectangle Plate	48" - 60"	18" - 24"	\$708
ALPL6032	Aluminum Rectangle Plate	48" - 60"	24" - 32"	\$828
ALPL7218	Aluminum Rectangle Plate	60" - 72"	6" - 18"	\$829
ALPL7224	Aluminum Rectangle Plate	60" - 72"	18" - 24"	\$1,024
ALPLCUST	Custom Aluminum Plate (We can manufacture any custom shape or size.)			Call Empire

INSTALLATION COLLAR

Installation collars provide support for the aluminum plate, allowing for any size plate to be used for a range of sizes. Order multiples depending on the size of the fire pit.

Item #	Description	Retail
COLLAR	19" Universal Flexible Installation Collar (3" Range)	\$32
COLLARF	19" Flexible No Drill Collar (4" Range)	\$34



COLLAR



COLLARF

RECTANGLE PANS

Select a Warming Trends Rectangle Plate or Pan, Crossfire™ Tree-Style, Double Tree, H-Style, or Linear Burner (see pages 10-11) and Ignition Kit (see pages 12-13) to make a complete burner system. Add your Media/Logs (see pages 15).

Using the Warming Trends heavy duty aluminum mounting pan with 2" sidewalls will provide a solid surface to support your burner and media choice.



Rectangle Pan

NOTE: It is recommended to incorporate 1 vent on at least two opposing sides (2 vents total) at a minimum size of 18 sq. inches each (Example: 3"x 6" or larger). Installation of the vents in the mid to lower area of the enclosure is recommended. Always consult with local municipality regarding any local code requirements. See page 14 for Vent Kit, item number FPVK.

RECTANGLE PANS - CUT TO FIT (with 2" Welded Sidewalls) (Note: Cut to Fit pans are not returnable.)

Item #	Description	Cut Range Length	Cut Range Width	Retail
ALPAN3618	Aluminum Rectangle Pan	24" - 36"	6" - 18"	\$512
ALPAN3624	Aluminum Rectangle Pan	24" - 36"	18" - 24"	\$618
ALPAN4818	Aluminum Rectangle Pan	36" - 48"	6" - 18"	\$624
ALPAN4824	Aluminum Rectangle Pan	36" - 48"	18" - 24"	\$678
ALPAN4832	Aluminum Rectangle Pan	36" - 48"	24" - 32"	\$989
ALPAN6018	Aluminum Rectangle Pan	48" - 60"	6" - 18"	\$735
ALPAN6024	Aluminum Rectangle Pan	48" - 60"	18" - 24"	\$907
ALPAN6032	Aluminum Rectangle Pan	48" - 60"	24" - 32"	\$1,103
ALPAN7218	Aluminum Rectangle Pan	60" - 72"	6" - 18"	\$1,084
ALPAN7224	Aluminum Rectangle Pan	60" - 72"	18" - 24"	\$1,323
ALPANCUST	Custom Aluminum Pan (We can manufacture any custom shape or size.)			Call Empire

INSTALLATION COLLAR

Installation collars provide support for the aluminum pan. Order multiples depending on the size of the fire pit.

Item #	Description	Retail
COLLAR	19" Universal Flexible Installation Collar (3" Range)	\$32
COLLARF	19" Flexible No Drill Collar (4" Range)	\$34



COLLAR



COLLARF

TREE-STYLE & DOUBLE TREE BURNERS

Select a Warming Trends Rectangle Plate or Pan (see pages 8-9), Crossfire™ Burner and Ignition Kit (see pages 12-13) to make a complete burner system. Add your Media/Logs (see pages 15).

TREE-STYLE



DOUBLE TREE



TREE-STYLE BURNERS

Item # - NG	Item # - LP	Burner BTU	Burner Dimensions	Minimum Fire Pit Opening	Inlet	Retail	
CFBT110NG	CFBT110LP	110,000	4 ½" x 13 ⅝"	11" x 20"	1/2"	\$561	
CFBT170NG ^W	CFBT170LP ^W	170,000	4 ½" x 21 ⅜"	11" x 28"	1/2"	\$878	
CFBT230NG ^W	CFBT230LP ^W	230,000	5 ⅞" x 29 ⅛"	11" x 36"	1/2"	\$1,090	
CFBT290NG ^W	CFBT290LP ^W	290,000	5 ⅞" x 37"	14" x 44"	1/2"	\$1,306	
NEW UT350	UT350	350,000	7" x 53 ¾"	14" x 58"	1/2"	\$1,819	
CFBT410NG ^W	CFBT410LP ^W	410,000	6 ¼" x 60 ¼"	14" x 66"	3/4"	\$2,129	
CFBT470NG ^W	CFBT470LP	470,000	6 ¼" x 69"	14" x 74"	3/4"	\$2,399	
CFBTCUSTNG*	CFBTCUSTLP*	Custom BTU Tree-Style Burner - Custom Size and Shape					Call Empire

DOUBLE TREE BURNERS

Item # - NG	Item # - LP	Burner BTU	Burner Dimensions	Minimum Fire Pit Opening	Inlet	Retail	
CFBDT160NG	CFBDT160LP	160,000	10" x 15 ½"	17" x 22"	1/2"	\$775	
CFBDT240NG ^W	CFBDT240LP ^W	240,000	10" x 23 ½"	17" x 29"	1/2"	\$1,172	
CFBDT320NG ^W	CFBDT320LP ^W	320,000	10 ¼" x 34 ¾"	18" x 41"	3/4"	\$1,760	
CFBDT400NG ^W	CFBDT400LP	400,000	10 ¼" x 44"	18" x 50"	3/4"	\$2,203	
CFBDT480NG ^W	CFBDT480LP	480,000	10 ¼" x 52 ½"	18" x 58"	3/4"	\$2,644	
CFBDTCUSTNG*	CFBDTCUSTLP*	Custom BTU Double Tree-Style Burner - Custom Size and Shape					Call Empire

*Special Order - Orders shipping direct from Warming Trends in Colorado, actual freight charges will apply.

Call Empire Distributing for custom quote on a burner.

^W - Burner includes Waterstop feature.

- For outdoor/interior use only.
- Modification of product will void any certification and warranty.
- Follow all installation instructions and local codes.
- Recommended to be installed by a certified plumbing professional.
- All dimensions are true and reflect Warming Trends' specifications as of the revision date.

The Warming Trends® Patent-Pending CROSSFIRE® Brass Burner utilizes cutting-edge technology to produce a taller, brighter, full flame, replicating a natural, wood burning fire – all while consuming less gas. Made from corrosion resistant and sustainable brass, CROSSFIRE® Brass Burners will not rust and come with a lifetime warranty. All burners are manufactured and assembled in the United States.

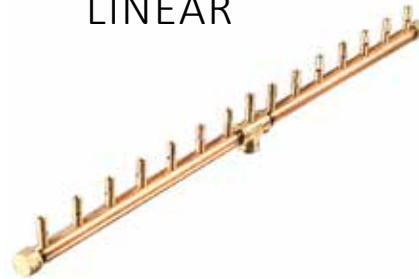
H-STYLE & LINEAR BURNERS

Select a Warming Trends Rectangle Plate or Pan (see pages 8-9), Crossfire™ Burner and Ignition Kit (see pages 12-13) to make a complete burner system. Add your Media/Logs (see pages 15).

H-STYLE



LINEAR



H-STYLE BURNERS

NEW

Item # - NG	Item # - LP	Burner BTU	Burner Dimensions	Minimum Fire Pit Opening	Inlet	Retail	
CFBH120NG ^W	CFBH120LP ^W	120,000	7" x 18"	15" x 28"	1/2"	\$704	
CFBH160NG ^W	CFBH160LP ^W	160,000	9" x 24"	17" x 34"	1/2"	\$837	
CFBH200NG ^W	CFBH200LP ^W	200,000	9" x 30"	17" x 40"	1/2"	\$958	
UH240	UH240	240,000	9 1/2" x 35 1/2"	17" x 46"	1/2"	\$1,100	
CFBH300NG ^W	CFBH300LP	300,000	14" x 42"	25" x 56"	3/4"	\$1,424	
CFBH340NG ^W	CFBH340LP ^W	340,000	14" x 48"	25" x 62"	3/4"	\$1,595	
CFBHCUSTNG*	CFBHCUSTLP*	CUSTOM H-Style Burner					Call Empire

LINEAR BURNERS

Item # - NG	Item # - LP	Burner BTU	Length	Minimum Fire Pit Opening	Inlet	Retail	
-	CFBL90LP**	90,000	18"	6" x 20"	1/2"	\$381	
CFBL110NG ^W	CFBL110LP	110,000	22"	6" x 26"	1/2"	\$487	
CFBL130NG	CFBL130LP	130,000	26"	8" x 32"	1/2"	\$568	
CFBL150NG ^W	CFBL150LP ^W	150,000	30"	8" x 38"	1/2"	\$629	
CFBL170NG ^W	CFBL170LP	170,000	34"	8" x 40"	1/2"	\$679	
CFBL190NG	CFBL190LP ^W	190,000	38"	8" x 44"	1/2"	\$729	
CFBL210NG ^W	CFBL210LP ^W	210,000	42"	10" x 50"	1/2"	\$810	
CFBL250NG	CFBL250LP ^W	250,000	50"	10" x 56"	1/2"	\$909	
CFBL270NG	CFBL270LP	270,000	54"	12" x 62"	1/2"	\$1,017	
CFBLCUSTNG*	CFBLCUSTLP*	CUSTOM Linear Burner					Call Empire

*Special Order - Orders shipping direct from Warming Trends in Colorado, actual freight charges will apply.

Call Empire Distributing for custom quote on a burner.

^W - Burner includes Waterstop feature.

- For outdoor/exterior use only.
- Modification of product will void any certification and warranty.
- Follow all installation instructions and local codes.
- Recommended to be installed by a certified plumbing professional.
- All dimensions are true and reflect Warming Trends' specifications as of the revision date.

The Warming Trends® Patent-Pending CROSSFIRE® Brass Burner utilizes cutting-edge technology to produce a taller, brighter, full flame, replicating a natural, wood burning fire – all while consuming less gas. Made from corrosion resistant and sustainable brass, CROSSFIRE® Brass Burners will not rust and come with a lifetime warranty. All burners are manufactured and assembled in the United States.

IGNITION KITS

MATCH LIGHT, PUSH BUTTON, MERCURY SAFETY PILOT

WT BURNERS



Match Light Key Valve Kit
FK1



Match Light Key Valve Kit
FK2



Adjustable Key Valve Extension
FP.EXT



Push Button Ignition
w/ Paver Block Mounting Bracket
PBIK-PBMBR



Mercury Safety Pilot Ignition
MERC

MATCH LIGHT

Item #	Description	BTU's	Retail
FK1	Key Valve Kit, FK1 (Includes: 36" L x 3/4" Whistle Free Flex Line; 3/4" Connector; 3/4" Key Valve; 12" & 3" Key)	up to 249,000	\$190
FK2	Key Valve Kit, FK2 (Includes: (2) 36" L x 3/4" Whistle Free Flex Lines, 3/4"-1/2" Reducing Nipple, (2) 3/4" T Fittings, (2) 3" L x 3/4" Pipe Nipple, 3/4" Key Valve, and 12" & 3" Key)	250,000+	\$416
FP.EXT	12" Adjustable Key Valve Extension with 1/2" Banded Coupling		\$16

PUSH BUTTON

Item #	Description	BTU's	Retail
PBMBRFK1	Push Button Ignition Kit with FK1 (Includes: Paver Mounting Bracket, PBIK & FK1)	up to 249,000	\$426
PBMBRFK2	Push Button Ignition Kit with FK2 (Includes: Paver Mounting Bracket, PBIK & FK2)	250,000+	\$641
PBIK	Push Button Ignition Kit (Includes: Spark Igniter rod, wire, and Push Button Operated Control Module)		\$64
PBIK-PBMBR	Push Button Ignition Kit w/ Mounting Bracket (Includes: Paver Mounting Bracket & PBIK)		\$162

MERCURY SAFETY PILOT

Item #	Description	Retail
MERC-NG	Mercury Safety Pilot Ignition w/ Mounting Plate, NG (<240K)	\$839
MERC-LP	Mercury Safety Pilot Ignition w/ Mounting Plate, LP (<240K)	\$839
FKM1	Single Flex Line Kit for Mercury Ignition (Up to 250,000 BTU's)	\$124
FKM2	Dual Flex Line Kit for Mercury Ignition (Over 250,000 BTU's. Flame height will be reduced as BTU's increase.)	\$324

ELECTRONIC IGNITION

PLATINUM/COBALT



Platinum 24V Electronic Ignition



Cobalt 12V Electronic Ignition

PLATINUM 24V ELECTRONIC *(Requires Match Light Kit FK1 or FK2 to complete)*

Fire pits must be covered to fulfill warranty requirements.

24V Electronic Ignition Kits are water resistant. **Does NOT include wall switch and remote.** Requires a 120V outlet.

Item # - NG	Item # - LP	Description	For use with	Retail
103063-1	103064-1	Platinum 24V Electronic Ignition Kit - 1/2" Connection (680K BTU)	1/2" Burner Inlet	\$2,259
103065-1	103066-1	Platinum 24V Electronic Ignition Kit - 3/4" Connection (680K BTU)	3/4" Burner Inlet	\$2,259

COBALT 12V ELECTRONIC *(Requires Match Light Kit FK1 or FK2 to complete)*

Fire pits must be covered to fulfill warranty requirements.

12V Electronic Ignition Kits are water resistant. **Does NOT include wall switch and remote.** Requires a 120V outlet.

Item # - NG	Item # - LP	Description	For use with	Retail
105023	105024	Cobalt 12V Electronic Ignition Kit - 1/2" Connection (490K BTU)	1/2" Burner Inlet	\$1,799
105025	105026	Cobalt 12V Electronic Ignition Kit - 3/4" Connection (490K BTU)	3/4" Burner Inlet	\$1,799

ELECTRONIC ACCESSORIES For use with Electronic Ignition Only

Item #	Description	Retail
KCRC	Wireless Key Chain Remote Control & Plug In Receiver	\$50
EMERSTOP	Emergency Stop Station	\$379
DT2HRNB	2 Hour Dial Timer - Mounted in NEMA 3 Rated Enclosure	\$487
DT12HRNB	12 Hour Dial Timer - Mounted in NEMA 3 Rated Enclosure	\$507



Key Chain Remote Control & Receiver - KCRC



Emergency Stop
EMERSTOP



Digital Timer
DT12HRNB

ACCESSORIES



WARMING TRENDS[®]

WT BURNERS



Gas Valve Keys



Drip Leg Kit



Fire Pit Vent Kit
(Set of 2)
FPVK



Vent
(Set of 1)
VENTBLOCKBLACK



LP Regulator
with Hose - LPRH



Whistle Free Flex Line
FL3634



Gas Ball Valve,
Straight, BVS2



Wilderness Char Fire Pit Log Set



Wilderness Oak Fire Pit Log Set

GAS VALVE KEYS

Item # - Brass	Item # - Chrome	Description	Retail
NKY.8.BR	NKY.8.CR	8" Gas Valve Key	\$10
NKY.12.BR	NKY.12.CR	12" Gas Valve Key	\$15
NKY.18.BR	NKY.18.CR	18" Gas Valve Key	\$21
NKY.24.BR	NKY.24.CR	24" Gas Valve Key	\$28

ACCESSORIES

Item #	Description	Retail
DRIP12	1/2" Drip Leg Kit (fits any burner with 1/2" inlet)	\$61
DRIP34	3/4" Drip Leg Kit (fits any burner with 3/4" inlet)	\$83
FPVK	Fire Pit Vent Kit - Set of 2 (4" x 12", includes hardware)	\$61
VENTBLOCKBLACK	Vent, 4" x 8 1/2" Rectangular (1 Vent)	\$48
LPRH	LP Regulator with a 3/8" 10' Hose (Will only allow flow for up to 180K BTU's. For use with a 20 lb LP tank)	\$192
FL3634	36"L x 3/4" Whistle Free Flex Line; 3/4" Connector	\$135
BVS2	3/4" - 1/4 Turn Ball Valve - Straight	\$36
DTES1HR	1-Hour Dial Timer with Emergency Shut-Off (Compatible with burners up to 170k BTU's)	\$202
PBMBR	Paver Mounting Bracket	\$103

REFRACTORY LOG SETS

Outdoor fire pit log sets are for use with outdoor burner systems.

Item #	Description	Pieces	Fire Pit Inside Dimensions	Retail
WCS2006FL	20" Wilderness Char	6	18"-24"	\$305
WCS3010FL	30" Wilderness Char	10	24"-40"	\$896
WCS5019FL	50" Wilderness Char	19	40"-60"	\$1,728
WOS3008FL	30" Wilderness Oak	8	24"-40"	\$578
WOS5014FL	50" Wilderness Oak	14	40"-60"	\$1,127

LOG SETS/MEDIA

LAVA ROCK & STONE



Lava Rock,
Black
1" - 1½", 40 lb Bag

BLR \$55



Tumbled Lava Stone,
Medium
1" - 2", 50 lb Bag

NL-3050 \$189



Tumbled Lava Stone,
Large
2" - 3", 50 lb Bag

NL-5080 \$189

REFLECTIVE FIREGLASS ½" Crushed, 25 lb Tub \$149



Black
EG25-R03MP



Bronze
EG25-R05MP



Cobalt
EG25-R02MP



Copper
EG25-R01MP



Sky Blue
EG25-R04MP



Silver
EG25-R09MP

CLASSIC FIREGLASS ½" Crushed, 25 lb Tub \$149



Amber Classic
EG25-L12MP



Black Classic
EG25-L02MP



Cobalt
EG25-L13MP



Ice
EG25-L01MP



Ocean Blue
EG25-L05MP



Turquoise
EG25-L04MP

REFLECTIVE FIREGLASS DIAMONDS Diamonds, 25 lb Tub \$149



Diamonds
Azuria
DIA-25AZRREF



Diamonds
Black
DIA-25BLKREF



Diamonds
Caribbean Blue
DIA-25CARREF



Diamonds
Clear
DIA-25CLRREF



Diamonds
Copper
DIA-25COPREF



Diamonds
Emerald
DIA-25EMLDREF



Diamonds
Pacific Blue
DIA-25PACBLREF

FIRE PIT COVERS

CIRCULAR & SQUARE

We recommend you add a cover to any fire feature to prevent water build up. A cover is required with any Warming Trends system utilizing an electronic ignition system. All covers are aluminum and are powder coated with a UV protected paint.

Note: Be sure to follow Warming Trends recommendations on 4" mounting depth for use of covers.

WARMING TRENDS COVERS *(Light Gray)*

Item # - Circular	Item # - Square	Outside Dimension	Covers Openings	Skirt	Retail
FPC20C	FPC20S	20"	up to 18"	-	\$254
FPC26C	FPC26S	26"	up to 24"	-	\$345
FPC32C	FPC32S	32"	up to 30"	-	\$501
FPC38C	FPC38S	38"	up to 36"	-	\$830
FPC44C	FPC44S	44"	up to 42"	-	\$888
FPC50C	FPC50S	50"	up to 48"	-	\$1,058
FPCUST*	FPCUST*	Custom Cover, Powder Coated Light Gray Aluminum			Call Empire

COVERS *Skirted covers are Special Order. (Silver Shadow)*

Item # - Circular	Item # - Square	Outside Dimension	Covers Openings	Skirt	Retail
SC26C-CG	SC26S-CG	26"	up to 26"	-	\$289
SC26C-1SK-CG*	SC26S-1SK-CG*	28"	up to 26"	1"	\$429
SC26C-2SK-CG*	SC26S-2SK-CG*	28"	up to 26"	2"	\$429
SC32C-CG	SC32S-CG	32"	up to 32"	-	\$380
SC32C-1SK-CG*	SC32S-1SK-CG*	34"	up to 32"	1"	\$549
SC32C-2SK-CG*	SC32S-2SK-CG*	34"	up to 32"	2"	\$549
SC38C-CG	SC38S-CG	38"	up to 38"	-	\$547
SC38C-1SK-CG*	SC38S-1SK-CG*	40"	up to 38"	1"	\$745
SC38C-2SK-CG*	SC38S-2SK-CG*	40"	up to 38"	2"	\$745
SC44C-CG	SC44S-CG	44"	up to 44"	-	\$730
SC44C-1SK-CG*	SC44S-1SK-CG*	46"	up to 44"	1"	\$961
SC44C-2SK-CG*	SC44S-2SK-CG*	46"	up to 44"	2"	\$961
SC50C-CG	SC50S-CG	50" (2 piece)	up to 50"	-	\$978
SC50C-2SK-CG*	SC50S-2SK-CG*	52" (2 piece)	up to 50"	2"	\$1,243
SC-CUST-CG*	SC-CUST-CG*	Custom Cover, Powder Coated Silver Shadow			Call Empire

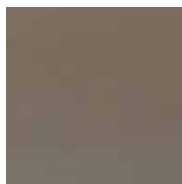
*Special Order

NOTE ABOUT SKIRTED COVERS:

Skirted covers may be necessary when the burner or media protrudes above the lip of your firepit. All skirted covers are special orders.



Light Gray



Silver Shadow



Circular Cover
Light Gray



Skirted Cover
Silver Shadow



Square Cover
Silver Shadow

FIRE PIT COVERS

RECTANGLE

We recommend you add a cover to any fire feature to prevent water build up. A cover is required with any Warming Trends system utilizing an electronic ignition system. All covers are 1/8" thick Aluminum and are powder coated in **Silver Shadow** with a UV protected paint.

Note: Be sure to follow Warming Trends recommendations on 4" mounting depth for use of covers.

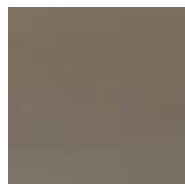
RECTANGLE COVERS *All covers come with 2 handles. Skirted covers are Special Order. (Silver Shadow)*

Item #	Description*	Covers Openings	Skirt	Retail
SC3012R-CG	30" x 12" Rectangle	up to 30" x 12"	-	\$289
SC3012R-1SK-CG*	32" x 14" Rectangle	up to 30" x 12"	1"	\$400
SC3012R-2SK-CG*	32" x 14" Rectangle	up to 30" x 12"	2"	\$400
SC3820R-CG	38" x 20" Rectangle	up to 38" x 20"	-	\$390
SC3820R-1SK-CG*	40" x 22" Rectangle	up to 38" x 20"	1"	\$618
SC3820R-2SK-CG*	40" x 22" Rectangle	up to 38" x 20"	2"	\$618
SC3826R-CG	38" x 26" Rectangle	up to 38" x 26"	-	\$505
SC3826R-1SK-CG*	40" x 28" Rectangle	up to 38" x 26"	1"	\$755
SC3826R-2SKCG*	40" x 28" Rectangle	up to 38" x 26"	2"	\$755
SC4016R-CG	40" x 16" Rectangle	up to 40" x 16"	-	\$331
SC4016R-1SK-CG*	42" x 18" Rectangle	up to 40" x 16"	1"	\$480
SC4016R-2SK-CG*	42" x 18" Rectangle	up to 40" x 16"	2"	\$480
SC5020R-CG	50" x 20" Rectangle (2 piece)	up to 50" x 20"	-	\$495
SC5020R-2SK-CG*	52" x 22" Rectangle (2 piece)	up to 50" x 20"	2"	\$689
SC5026R-CG	50" x 26" Rectangle (2 piece)	up to 50" x 26"	-	\$743
SC5026R-2SK-CG*	52" x 28" Rectangle (2 piece)	up to 50" x 26"	2"	\$990
SC6220R-CG	62" x 20" Rectangle (2 piece)	up to 62" x 20"	-	\$713
SC6220R-2SK-CG*	64" x 22" Rectangle (2 piece)	up to 62" x 20"	2"	\$1,034
SC6226R-CG	62" x 26" Rectangle (2 piece)	up to 62" x 26"	-	\$848
SC6226R-2SK-CG*	64" x 28" Rectangle (2 piece)	up to 62" x 26"	2"	\$1,184
SC7420R-CG	74" x 20" Rectangle (2 piece)	up to 74" x 20"	-	\$784
SC7420R-2SK-CG*	76" x 22" Rectangle (2 piece)	up to 74" x 20"	2"	\$1,142
SC7426R-CG	74" x 26" Rectangle (2 piece)	up to 74" x 26"	-	\$998
SC7426R-2SK-CG*	76" x 28" Rectangle (2 piece)	up to 74" x 26"	2"	\$1,360
SC-CUST-CG*	Custom Cover, Silver Shadow			Call Empire
SC-CUST-TB*	Custom Cover, Textured Bronze			Call Empire

*Special Order

NOTE ABOUT SKIRTED COVERS:

Skirted covers may be necessary when the burner or media protrudes above the lip of your firepit. All skirted covers are special orders.



Silver Shadow



Rectangle Cover
Silver Shadow

OUTDOOR FIREPLACE BURNERS

30" & 36" Openings

WT BURNERS



H-STYLE



TREE STYLE

Includes: CROSSFIRE® Brass Burner attached to an elevated black powder-coated aluminum plate, and Steel Grate. Choice of Ignition Kit. Ceramic Log Sets and Lava Rock required (sold separately).

FITS 30" OPENINGS & LARGER

Item # - NG	Item # - LP	Burner	BTU	Ignition	Retail
104355	104356	H-Style	120,000	Push Button	\$1,341
104357	104358	Tree Style	110,000	Push Button	\$1,238
104499*	104500*	H-Style	120,000	Mercury Safety Pilot	\$2,180
104501*	104502*	Tree Style	110,000	Mercury Safety Pilot	\$2,077
104515-1*	104516-1*	H-Style	120,000	Platinum Electronic	\$3,390
104517-1*	104518-1*	Tree Style	110,000	Platinum Electronic	\$3,287

FITS 36" OPENINGS & LARGER

Item # - NG	Item # - LP	Burner	BTU	Ignition	Retail
104359	104360	H-Style	160,000	Push Button	\$1,522
104361	104362	Tree Style	170,000	Push Button	\$1,610
104503*	104504*	H-Style	160,000	Mercury Safety Pilot	\$2,361
104505*	104506*	Tree Style	170,000	Mercury Safety Pilot	\$2,449
104519-1*	104520-1*	H-Style	160,000	Platinum Electronic	\$3,571
104521-1*	104522-1*	Tree Style	170,000	Platinum Electronic	\$3,659

LOG SETS & MEDIA

Item #	Description	Retail
WCS2006FL	20" Wilderness Char	\$305
WCS3010FL	30" Wilderness Char	\$896
WOS3008FL	30" Wilderness Oak	\$578
BLR	Lava Rock, Black – 40 lb bag	\$55



Wilderness Char Log Set



Wilderness Oak Log Set

*Special Order For Electronic Ignition Accessories, see page 13 of this section.

SPECIFICATIONS

	30"	36"
Plate Dimensions	15 1/2" x 9 3/4"	21 1/2" x 9 3/4"
Grate Width	22 3/4"	29"
Grate Back Width	19 1/4"	25 1/2"
Grate Depth	17"	17"
Grate Leg Height	4"	4"

1. For outdoor/exterior use only.
2. Modification of product will void any certification and warranty.
3. Follow all installation instructions and local codes.
4. Recommended to be installed by a certified plumbing professional.
5. All dimensions are true and reflect Warming Trends' specifications as of the revision date.

The Warming Trends® Patent-Pending CROSSFIRE® Brass Burner utilizes cutting-edge technology to produce a taller, brighter, full flame, replicating a natural, wood burning fire – all while consuming less gas. Made from corrosion resistant and sustainable brass, CROSSFIRE® Brass Burners will not rust and come with a lifetime warranty. All burners are manufactured and assembled in the United States.

OUTDOOR FIREPLACE BURNERS

42" & 48" Openings



H-STYLE



TREE STYLE

Includes: CROSSFIRE® Brass Burner attached to an elevated black powder-coated aluminum plate, and Steel Grate. Choice of Ignition Kit. Ceramic Log Sets and Lava Rock required (sold separately).

FITS 42" OPENINGS & LARGER

Item # - NG	Item # - LP	Burner	BTU's	Ignition	Retail
104363	104364	H-Style	200,000	Push Button	\$1,718
104365	104366	Tree Style	230,000	Push Button	\$1,905
104507*	104508*	H-Style	200,000	Mercury Safety Pilot	\$2,557
104509*	104510*	Tree Style	230,000	Mercury Safety Pilot	\$2,744
104523-1*	104524-1*	H-Style	200,000	Platinum Electronic	\$3,767
104525-1*	104526-1*	Tree Style	230,000	Platinum Electronic	\$3,954

FITS 48" OPENINGS & LARGER

Item # - NG	Item # - LP	Burner	BTU's	Ignition	Retail
104367*	104368*	H-Style	240,000	Push Button	\$2,205
104369*	104370*	Tree Style	290,000	Push Button	\$2,287
104511*	104512*	H-Style	240,000	Mercury Safety Pilot	\$3,044
104513*	104514*	Tree Style	290,000	Mercury Safety Pilot	\$3,126
104527-1*	104528-1*	H-Style	240,000	Platinum Electronic	\$4,254
104529-1*	104530-1*	Tree Style	290,000	Platinum Electronic	\$4,336

LOG SETS & MEDIA

Item #	Description	Retail
WCS2006FL	20" Wilderness Char	\$305
WCS3010FL	30" Wilderness Char	\$896
WOS3008FL	30" Wilderness Oak	\$578
BLR	Lava Rock, Black – 40 lb bag	\$55



Wilderness Char Log Set



Wilderness Oak Log Set

*Special Order For Electronic Ignition Accessories, see page 13 of this section.

SPECIFICATIONS

	42"	48"
Plate Dimensions	27 ½" x 10 ½"	34 ¾" x 10 ½"
Grate Width	32 ½"	43 ½"
Grate Back Width	31"	42"
Grate Depth	16 ¼"	17"
Grate Leg Height	4"	4"

1. For outdoor/external use only.
2. Modification of product will void any certification and warranty.
3. Follow all installation instructions and local codes.
4. Recommended to be installed by a certified plumbing professional.
5. All dimensions are true and reflect Warming Trends' specifications as of the revision date.

The Warming Trends® Patent-Pending CROSSFIRE® Brass Burner utilizes cutting-edge technology to produce a taller, brighter, full flame, replicating a natural, wood burning fire – all while consuming less gas. Made from corrosion resistant and sustainable brass, CROSSFIRE® Brass Burners will not rust and come with a lifetime warranty. All burners are manufactured and assembled in the United States.

WIND GUARDS



Round



Square



Rectangle



Linear

ROUND (Glass Clips Included)

Item #	Description	Assembled Diameter	Retail
WG23-RD	Round Glass Wind Guard	23" Inside Diameter	\$314
WG30-RD	Round Glass Wind Guard	30" Inside Diameter	\$376
WG38-RD	Round Glass Wind Guard	38" Inside Diameter	\$471
WG48-RD	Round Glass Wind Guard	48" Inside Diameter	\$592

SQUARE (Glass Clips Included)

Item #	Description	Assembled Dimension (LxWxH)	Retail
WG25-SQ	Square Glass Wind Guard	25" x 25" x 6" Inside Dimensions	\$215
WG31-SQ	Square Glass Wind Guard	31" x 31" x 6" Inside Dimensions	\$233
WG37-SQ	Square Glass Wind Guard	37" x 37" x 6" Inside Dimensions	\$257
WG43-SQ	Square Glass Wind Guard	43" x 43" x 6" Inside Dimensions	\$278
WG49-SQ	Square Glass Wind Guard	49" x 49" x 6" Inside Dimensions	\$314

RECTANGLE (Glass Clips Included)

Item #	Description	Assembled Dimension (LxWxH)	Retail
WG31X19-RECT	Rectangle Glass Wind Guard	31" x 19" x 6" Inside Dimensions	\$238
WG37X19-RECT	Rectangle Glass Wind Guard	37" x 19" x 6" Inside Dimensions	\$256
WG43X21-RECT	Rectangle Glass Wind Guard	43" x 21" x 6" Inside Dimensions	\$278
WG49X21-RECT	Rectangle Glass Wind Guard	49" x 21" x 6" Inside Dimensions	\$305
WG61X23-RECT	Rectangle Glass Wind Guard	61" x 23" x 6" Inside Dimensions	\$359

LINEAR (Glass Clips Included)

Item #	Description	Assembled Dimension (LxWxH)	Retail
WG31X15-L	Linear Glass Wind Guard	31" x 15" x 6" Inside Dimensions	\$233
WG43X15-L	Linear Glass Wind Guard	43" x 15" x 6" Inside Dimensions	\$269
WG55X15-L	Linear Glass Wind Guard	55" x 15" x 6" Inside Dimensions	\$332
WG67X15-L	Linear Glass Wind Guard	67" x 15" x 6" Inside Dimensions	\$368

WIND GUARD CLIPS (For use with 1/8" glass. Glass not included)

Item #	Description	Retail
GC-90KIT	Wind Guard Clips (Includes: 8 clips to complete square or rectangle wind guard 36" or smaller per side. Glass not included)	\$36
GCS-90KIT	Wind Guard Clips (Includes: 12 clips to complete square or rectangle wind guard 37" or longer per side. Glass not included)	\$43



GC-90 Kit (8 pc)



GCS-90 Kit (12 pc)

Custom sized Wind Guards available. Call Empire for details.



FIRESTORM STEEL LOG KIT

Includes: 32" Hand-crafted Steel Log, CFBL150 Burner, and 38" x 10" Aluminum Plate

Item #	Description	Retail
FSL32LP	FireStorm Steel Log Kit, LP	\$1,488
FSL32NG	FireStorm Steel Log Kit, NG	\$1,488

(FireStorm log is not compatible with push button, mercury, or electronic ignition.)



Scan Code to see
Firestorm Steel Logs Burning Video

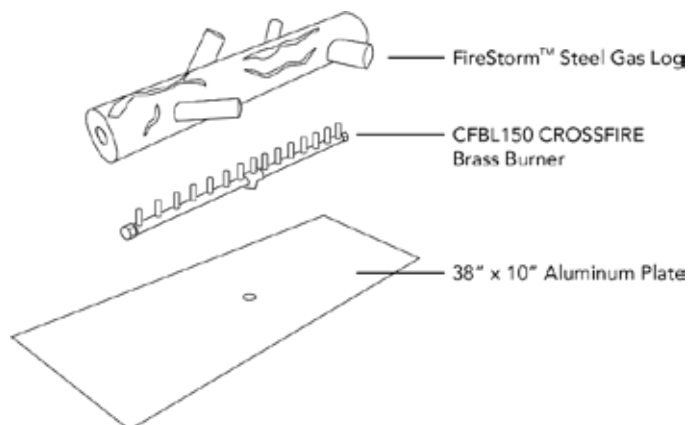
ACCESSORIES

For a list of media, see page 15. For all other accessories, see pages 12-13.

Item #	Description	Retail
FK1	Match Light Key Valve Kit (Includes: 36" L x 3/4" Diameter Whistle Free Flex Line; 3/4" Connector; 3/4" Key Valve; 12" & 3" Key)	\$190
FP.EXT	12" Adjustable Key Valve Extension with 1/2" Banded Coupling	\$16
FPVK	Fire Pit Vent Kit - Set of 2 (4" x 12", includes hardware)	\$61
BLR	Lava Rock 1" - 1 1/2", Black (40 lb bag)	\$55

FEATURES

- Handcrafted, one-of-a-kind steel log
- Integrated burner compounds the effects of the Crossfire Brass Burner, creating a beautiful flame pattern
- Simple and easy installation
- Kit includes 150K BTU Crossfire Brass Burner (NG or LP), Firestorm Steel Log, and aluminum plate



FireStorm Log

MEDIA CALCULATOR & GAS PIPE SIZE CHART

FIREGLASS / LAVA STONE MEDIA CALCULATOR

Calculations are for Fire Pits with 3" Media Depth. Measure INSIDE Diameter of Fire Pit.

LAVA ROCK CALCULATOR

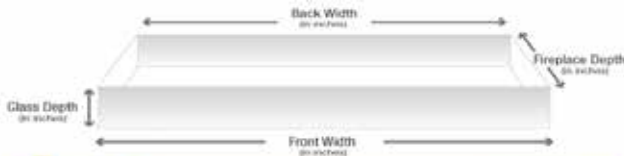
Fireglass or Lava Stone Weight / 2 = Total Lava Rock Weight

Square/Rectangular

Length x Width x 0.16 = Total Fireglass / Lava Stone Weight

	12"	18"	24"	30"	36"	42"	48"	54"	60"	66"	72"
12"	23	35	46	58	69	81	92	104	115	127	138
18"	35	52	69	86	104	121	138	156	173	190	207
24"	46	69	92	115	138	161	184	207	230	253	276
30"	58	86	115	144	173	202	230	259	288	317	346
36"	69	104	138	173	207	242	276	311	346	380	415
42"	81	121	161	202	242	282	323	363	403	444	484
48"	92	138	184	230	276	323	369	415	461	507	553
54"	104	156	207	259	311	363	415	467	518	570	622
60"	115	173	230	288	346	403	461	518	576	634	691
66"	127	190	253	317	380	444	507	570	634	697	760
72"	138	207	276	346	415	484	553	622	691	760	829

Note: For rectangular fireplaces, use the same front width as back width



Round

Radius x Radius x 3.14 x 0.16 = Total Fireglass / Lava Stone Weight

Diameter	Fireglass/Lbs.	Diameter	Fireglass/Lbs.
12"	18	32"	129
14"	25	34"	145
16"	32	36"	163
18"	41	38"	181
20"	50	40"	201
22"	61	42"	222
24"	72	44"	243
26"	85	46"	266
28"	98	48"	289
30"	113	50"	314

Note: Radius = Diameter x .5



GAS PIPE SIZE CHART

Natural Gas Pipe Sizing Chart

Length of Pipe in Feet	Size of Pipe in Inches								
	½"	¾"	1"	1 ¼"	1 ½"	2"	2 ½"	3"	4"
10	108	230	387	793	1237	2259	3640	6434	
20	75	160	280	569	877	1610	2613	5236	9521
30	61	129	224	471	719	1335	2165	4107	7859
40	52	110	196	401	635	1143	1867	3258	6795
50	46	98	177	364	560	1041	1680	2936	6142
60	42	89	159	336	513	957	1559	2684	5647
70	38	82	149	317	476	896	1447	2492	5250
80	36	76	140	239	443	840	1353	2315	4900
90	33	71	133	275	420	793	1288	2203	4667
100	32	68	126	266	411	775	1246	2128	4518
125	28	60	117	243	369	700	1143	1904	4065
150	25	54	105	215	327	625	1008	1689	3645

Natural Gas flow is given in thousands of BTU/hour. One cubic foot of NG gas = 1000 BTU's.
 NG Example: A burner that requires 224,000 BTU would need a 1" pipe for a 30' long run.

Liquid Propane Pipe Sizing Chart

Length of Pipe in Feet	Size of Pipe in Inches								
	½"	¾"	1"	1 ¼"	1 ½"	2"	2 ½"	3"	4"
10	275	567	1071	2205	3307	6221	10140	17990	35710
20	189	393	732	1496	2299	4331	7046	12510	25520
30	152	315	590	1212	1858	3465	5695	10110	20620
40	129	267	504	1039	1559	2992	4778	8481	17300
50	114	237	448	913	1417	2646	4343	7708	15730
60	103	217	409	834	1275	2394	3908	6936	14150
80	89	185	346	724	1086	2047	3329	5908	12050
100	78	162	307	630	976	1811	2991	5309	10830
125	69	146	275	567	866	1606	2654	4711	9613
150	63	132	252	511	787	1496	2412	4281	8736

Liquid Propane flow is given in thousands of BTU/hour. One cubic foot of LP gas = 2516 BTU's.
 LP Example: A burner that requires 252,000 BTU would need a 1" pipe for a 150' long run.

Note for NG & LP: Pipe length must include additional length for all fittings. Add approximately 5 feet of pipe per fitting.