

**SMOOTH TOUCH™ VANDAL RESISTANT
BACKFLOW ENCLOSURE**

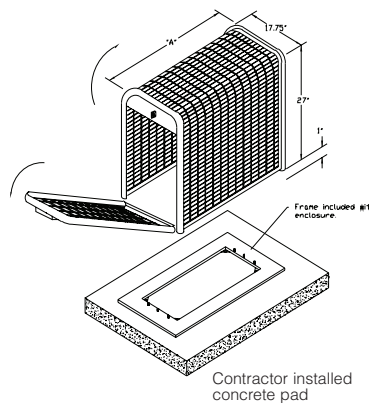
- Tube and wire construction provides a smooth surface to protect against handling injury
- Architectural lines of the enclosure blend beautifully into the landscape environment
- Coated with a performance polymer alloy coating to prevent handling injury.
- One year limited warranty
- Standard colors for powder coated enclosures are dark green, tan and purple. All other colors are available at an extra charge

**Low Profile Smooth Touch™
Enclosure**

	"A" Length	Height	Width
SBBC-22CR	23.5"	28"	17.75"
SBBC-30CR	31.5"	28"	17.75"
SBBC-45CR	46.5"	28"	17.75"

Note: For inside dimensions, see Backflow Cover Sizing Chart on pages 14-15.

- 100% stainless steel
- Stainless steel hardware
- Weather resistant
- Patented locking system accepts padlock
- Minimal surface area deters graffiti



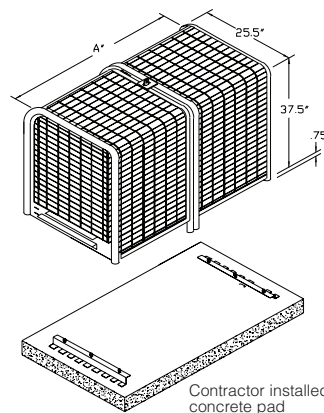
SPECIFICATION ON PAGE 54

**High Profile Smooth Touch™
Enclosure**

	"A" Length	Height	Width
SBBC-40CR	40"	39"	25.5"
SBBC-75CR	76.5"	39"	25.5"

Note: For inside dimensions, see Backflow Cover Sizing Chart on pages 14-15.

- 100% stainless steel
- Stainless steel hardware
- Weather resistant
- Patented locking system accepts padlock
- Minimal surface area deters graffiti



SPECIFICATION ON PAGE 55